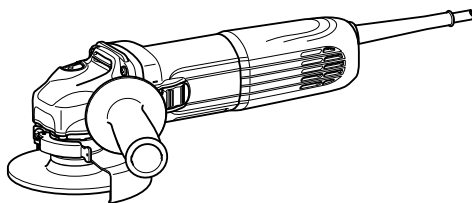
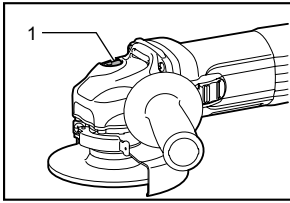




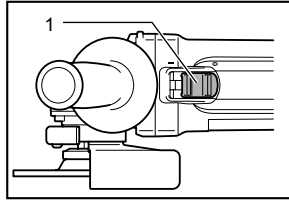
GB	Angle Grinder	INSTRUCTION MANUAL
S	Vinkelslipmaskin	BRUKSANVISNING
N	Vinkelsliper	BRUKSANVISNING
FIN	Kulmahiomakone	KÄYTTÖOHJE
LV	Leņķa slīpmašīna	LIETOŠANAS INSTRUKCIJA
LT	Kampinis šlifuoškis	NAUDOJIMO INSTRUKCIJA
EE	Nurklihväi	KASUTUSJUHEND
RUS	Угловая шлифмашина	РУКОВОДСТВО ПО ЭКСПЛУАТАЦИИ

GA4040C
GA4540C
GA5040C
GA6040C
GA4041C
GA4541C
GA5041C

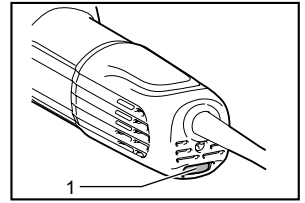




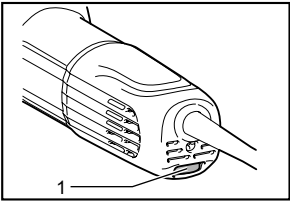
1 012725



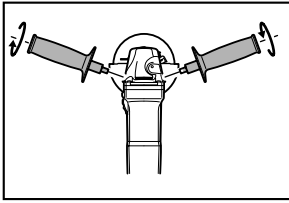
2 012728



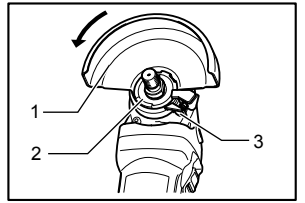
3 012729



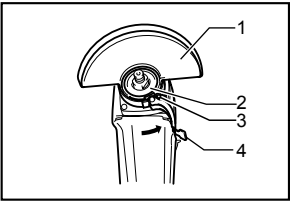
4 012747



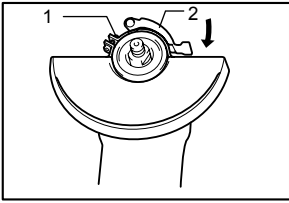
5 012724



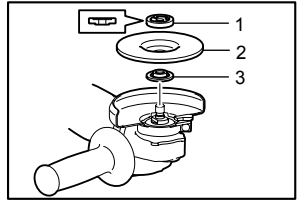
6 012733



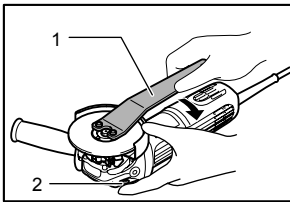
7 009430



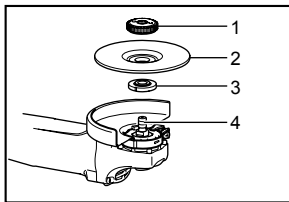
8 009431



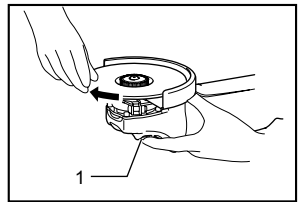
9 012802



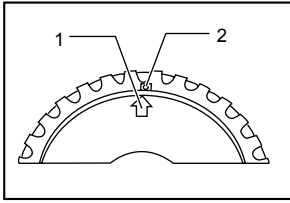
10 012727



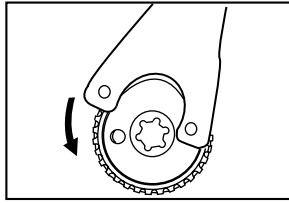
11 012772



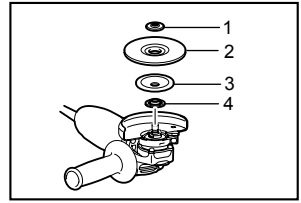
12 012773



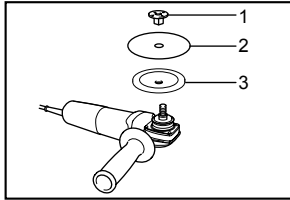
13 010846



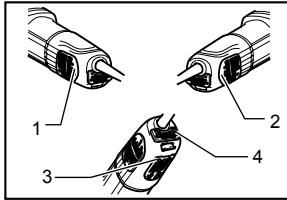
14 010863



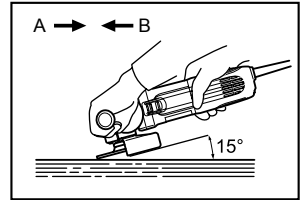
15 012740



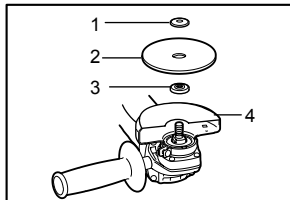
16 012742



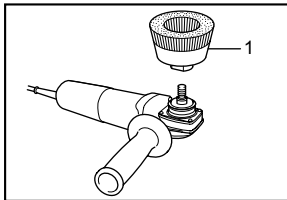
17 012731



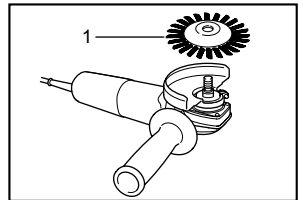
18 012730



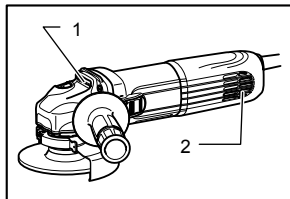
19 010855



20 012743



21 012744



22 012732

ENGLISH (Original instructions)

Explanation of general view

1-1. Shaft lock	9-3. Inner flange	16-3. Rubber pad
2-1. Slide switch	10-1. Lock nut wrench	17-1. Marking A
3-1. Indication lamp (speed adjusting dial)	10-2. Shaft lock	17-2. Marking B
4-1. Speed adjusting dial	11-1. Ezynut	17-3. Marking C
6-1. Wheel guard	11-2. Abrasive wheel	17-4. Marking D
6-2. Bearing box	11-3. Inner flange	19-1. Lock nut
6-3. Screw	11-4. Spindle	19-2. Abrasive cut-off wheel/diamond wheel
7-1. Wheel guard	12-1. Shaft lock	19-3. Inner flange
7-2. Bearing box	13-1. Arrow	19-4. Wheel guard for abrasive cut-off wheel/diamond wheel
7-3. Screw	13-2. Notch	20-1. Wire cup brush
7-4. Lever	15-1. Lock nut	21-1. Wire wheel brush
8-1. Screw	15-2. Flex wheel	22-1. Exhaust vent
8-2. Lever	15-3. Plastic pad	22-2. Inhalation vent
9-1. Lock nut	15-4. Inner flange	
9-2. Depressed center wheel	16-1. Sanding lock nut	
	16-2. Abrasive disc	

SPECIFICATIONS

Model	GA4040C	GA4041C	GA4540C	GA4541C	GA5040C	GA5041C	GA6040C
Wheel diameter	100 mm (4")		115 mm (4-1/2")		125 mm (5")		150 mm (6")
Max. wheel thickness	6.4 mm						
Spindle thread	M10		M14 or 5/8" (country specific)				
Rated speed (n) / No load speed (n ₀)	11,000 min ⁻¹		11,000 min ⁻¹		11,000 min ⁻¹		9,000 min ⁻¹
Overall length	303 mm	325 mm	303 mm	325 mm	303 mm	325 mm	303 mm
Net weight	2.3 kg	2.6 kg	2.5 kg	2.7 kg	2.5 kg	2.7 kg	2.6 kg
Safety class	II/III						

- Due to our continuing program of research and development, the specifications herein are subject to change without notice.
- Specifications may differ from country to country.
- Weight according to EPTA-Procedure 01/2003

ENE048-1

Intended use

The tool is intended for grinding, sanding and cutting of metal and stone materials without the use of water.

ENF002-2

Power supply

The tool should be connected only to a power supply of the same voltage as indicated on the nameplate, and can only be operated on single-phase AC supply. They are double-insulated and can, therefore, also be used from sockets without earth wire.

ENG905-1

Noise

The typical A-weighted noise level determined according to EN60745:

Model GA4040C, GA4540C, GA5040C

Sound pressure level (L_{pA}) : 86 dB (A)

Sound power level (L_{WA}) : 97 dB (A)

Uncertainty (K) : 3 dB (A)

Model GA6040C

Sound pressure level (L_{pA}) : 87 dB (A)

Sound power level (L_{WA}) : 98 dB (A)

Uncertainty (K) : 3 dB (A)

Model GA4541C

Sound pressure level (L_{pA}) : 83 dB (A)

Sound power level (L_{WA}) : 94 dB (A)

Uncertainty (K) : 3 dB (A)

Model GA5041C

Sound pressure level (L_{pA}) : 84 dB (A)

Sound power level (L_{WA}) : 95 dB (A)

Uncertainty (K) : 3 dB (A)

Wear ear protection

ENG900-1

Vibration

The vibration total value (tri-axial vector sum) determined according to EN60745:

- The declared vibration emission value has been measured in accordance with the standard test method and may be used for comparing one tool with another.
- The declared vibration emission value may also be used in a preliminary assessment of exposure.
- The declared vibration emission value is used for main applications of the power tool. However if the power tool is used for other applications, the vibration emission value may be different.

⚠WARNING:

- The vibration emission during actual use of the power tool can differ from the declared emission value depending on the ways in which the tool is used.
- Be sure to identify safety measures to protect the operator that are based on an estimation of exposure in the actual conditions of use (taking account of all parts of the operating cycle such as the times when the tool is switched off and when it is running idle in addition to the trigger time).

ENH101-16

For European countries only

EC Declaration of Conformity

We Makita Corporation as the responsible manufacturer declare that the following Makita machine(s):

Designation of Machine:

Angle Grinder

Model No./ Type: GA4040C, GA4540C, GA5040C, GA6040C, GA4541C, GA5041C

are of series production and

Conforms to the following European Directives:

2006/42/EC

And are manufactured in accordance with the following standards or standardised documents:

EN60745

The technical documentation is kept by:

Makita International Europe Ltd.

Technical Department,

Michigan Drive, Tongwell,

Milton Keynes, Bucks MK15 8JD, England

30.8.2011



000230

Tomoyasu Kato
Director

Makita Corporation
3-11-8, Sumiyoshi-cho,
Anjo, Aichi, 446-8502, JAPAN

General Power Tool Safety Warnings

⚠ WARNING Read all safety warnings and all instructions. Failure to follow the warnings and instructions may result in electric shock, fire and/or serious injury.

Save all warnings and instructions for future reference.

GEB033-7

GRINDER SAFETY WARNINGS

Safety Warnings Common for Grinding, Sanding, Wire Brushing, or Abrasive Cutting-Off Operations:

1. **This power tool is intended to function as a grinder, sander, wire brush or cut-off tool. Read all safety warnings, instructions, illustrations and specifications provided with this power tool.** Failure to follow all instructions listed below may result in electric shock, fire and/or serious injury.
2. **Operations such as polishing are not recommended to be performed with this power tool.** Operations for which the power tool was not designed may create a hazard and cause personal injury.
3. **Do not use accessories which are not specifically designed and recommended by the tool manufacturer.** Just because the accessory can be attached to your power tool, it does not assure safe operation.
4. **The rated speed of the accessory must be at least equal to the maximum speed marked on the power tool.** Accessories running faster than their rated speed can break and fly apart.
5. **The outside diameter and the thickness of your accessory must be within the capacity rating of your power tool.** Incorrectly sized accessories cannot be adequately guarded or controlled.
6. **Threaded mounting of accessories must match the grinder spindle thread. For accessories mounted by flanges, the arbour hole of the accessory must fit the locating diameter of the flange.** Accessories that do not match the mounting hardware of the power tool will run out of balance, vibrate excessively and may cause loss of control.
7. **Do not use a damaged accessory. Before each use inspect the accessory such as abrasive wheels for chips and cracks, backing pad for cracks, tear or excess wear, wire brush for loose or cracked wires. If power tool or accessory is dropped, inspect for damage or install an undamaged accessory. After inspecting and installing an accessory, position yourself and bystanders away from the plane of the rotating accessory and run the**

power tool at maximum no-load speed for one minute. Damaged accessories will normally break apart during this test time.

8. **Wear personal protective equipment. Depending on application, use face shield, safety goggles or safety glasses. As appropriate, wear dust mask, hearing protectors, gloves and workshop apron capable of stopping small abrasive or workpiece fragments.** The eye protection must be capable of stopping flying debris generated by various operations. The dust mask or respirator must be capable of filtering particles generated by your operation. Prolonged exposure to high intensity noise may cause hearing loss.
9. **Keep bystanders a safe distance away from work area. Anyone entering the work area must wear personal protective equipment.** Fragments of workpiece or of a broken accessory may fly away and cause injury beyond immediate area of operation.
10. **Hold the power tool by insulated gripping surfaces only, when performing an operation where the cutting accessory may contact hidden wiring or its own cord.** Cutting accessory contacting a "live" wire may make exposed metal parts of the power tool "live" and could give the operator an electric shock.
11. **Position the cord clear of the spinning accessory.** If you lose control, the cord may be cut or snagged and your hand or arm may be pulled into the spinning accessory.
12. **Never lay the power tool down until the accessory has come to a complete stop.** The spinning accessory may grab the surface and pull the power tool out of your control.
13. **Do not run the power tool while carrying it at your side.** Accidental contact with the spinning accessory could snag your clothing, pulling the accessory into your body.
14. **Regularly clean the power tool's air vents.** The motor's fan will draw the dust inside the housing and excessive accumulation of powdered metal may cause electrical hazards.
15. **Do not operate the power tool near flammable materials.** Sparks could ignite these materials.
16. **Do not use accessories that require liquid coolants.** Using water or other liquid coolants may result in electrocution or shock.

Kickback and Related Warnings

Kickback is a sudden reaction to a pinched or snagged rotating wheel, backing pad, brush or any other accessory. Pinching or snagging causes rapid stalling of the rotating accessory which in turn causes the uncontrolled power tool to be forced in the direction opposite of the accessory's rotation at the point of the binding.

For example, if an abrasive wheel is snagged or pinched by the workpiece, the edge of the wheel that is entering into the

pinch point can dig into the surface of the material causing the wheel to climb out or kick out. The wheel may either jump toward or away from the operator, depending on direction of the wheel's movement at the point of pinching. Abrasive wheels may also break under these conditions.

Kickback is the result of power tool misuse and/or incorrect operating procedures or conditions and can be avoided by taking proper precautions as given below.

- a) **Maintain a firm grip on the power tool and position your body and arm to allow you to resist kickback forces. Always use auxiliary handle, if provided, for maximum control over kickback or torque reaction during start-up.** The operator can control torque reactions or kickback forces, if proper precautions are taken.
- b) **Never place your hand near the rotating accessory.** Accessory may kickback over your hand.
- c) **Do not position your body in the area where power tool will move if kickback occurs.** Kickback will propel the tool in direction opposite to the wheel's movement at the point of snagging.
- d) **Use special care when working corners, sharp edges etc. Avoid bouncing and snagging the accessory.** Corners, sharp edges or bouncing have a tendency to snag the rotating accessory and cause loss of control or kickback.
- e) **Do not attach a saw chain woodcarving blade or toothed saw blade.** Such blades create frequent kickback and loss of control.

Safety Warnings Specific for Grinding and Abrasive Cutting-Off Operations:

- a) **Use only wheel types that are recommended for your power tool and the specific guard designed for the selected wheel.** Wheels for which the power tool was not designed cannot be adequately guarded and are unsafe.
- b) **The grinding surface of centre depressed wheels must be mounted below the plane of the guard lip.** An improperly mounted wheel that projects through the plane of the guard lip cannot be adequately protected.
- c) **The guard must be securely attached to the power tool and positioned for maximum safety, so the least amount of wheel is exposed towards the operator.** The guard helps to protect the operator from broken wheel fragments, accidental contact with wheel and sparks that could ignite clothing.
- d) **Wheels must be used only for recommended applications. For example: do not grind with the side of cut-off wheel.** Abrasive cut-off wheels are intended for peripheral grinding, side forces applied to these wheels may cause them to shatter.
- e) **Always use undamaged wheel flanges that are of correct size and shape for your selected wheel.** Proper wheel flanges support the wheel thus reducing the possibility of wheel breakage. Flanges for cut-off wheels may be different from grinding wheel flanges.

f) **Do not use worn down wheels from larger power tools.** Wheel intended for larger power tool is not suitable for the higher speed of a smaller tool and may burst.

Additional Safety Warnings Specific for Abrasive Cutting-Off Operations:

- a) **Do not “jam” the cut-off wheel or apply excessive pressure. Do not attempt to make an excessive depth of cut.** Overstressing the wheel increases the loading and susceptibility to twisting or binding of the wheel in the cut and the possibility of kickback or wheel breakage.
- b) **Do not position your body in line with and behind the rotating wheel.** When the wheel, at the point of operation, is moving away from your body, the possible kickback may propel the spinning wheel and the power tool directly at you.
- c) **When wheel is binding or when interrupting a cut for any reason, switch off the power tool and hold the power tool motionless until the wheel comes to a complete stop. Never attempt to remove the cut-off wheel from the cut while the wheel is in motion otherwise kickback may occur.** Investigate and take corrective action to eliminate the cause of wheel binding
- d) **Do not restart the cutting operation in the workpiece. Let the wheel reach full speed and carefully re-enter the cut.** The wheel may bind, walk up or kickback if the power tool is restarted in the workpiece.
- e) **Support panels or any oversized workpiece to minimize the risk of wheel pinching and kickback.** Large workpieces tend to sag under their own weight. Supports must be placed under the workpiece near the line of cut and near the edge of the workpiece on both sides of the wheel.
- f) **Use extra caution when making a “pocket cut” into existing walls or other blind areas.** The protruding wheel may cut gas or water pipes, electrical wiring or objects that can cause kickback.

Safety Warnings Specific for Sanding Operations:

- a) **Do not use excessively oversized sanding disc paper. Follow manufacturers recommendations, when selecting sanding paper.** Larger sanding paper extending beyond the sanding pad presents a laceration hazard and may cause snagging, tearing of the disc or kickback.

Safety Warnings Specific for Wire Brushing Operations:

- a) **Be aware that wire bristles are thrown by the brush even during ordinary operation. Do not overstress the wires by applying excessive load to the brush.** The wire bristles can easily penetrate light clothing and/or skin.
- b) **If the use of a guard is recommended for wire brushing, do not allow interference of the wire wheel or brush with the guard.** Wire wheel or brush may expand in diameter due to work load and centrifugal forces.

Additional safety warnings:

17. **When using depressed centre grinding wheels, be sure to use only fiberglass-reinforced wheels.**
18. **NEVER USE Stone Cup type wheels with this grinder.** This grinder is not designed for these types of wheels and the use of such a product may result in serious personal injury.
19. **Be careful not to damage the spindle, the flange (especially the installing surface) or the lock nut. Damage to these parts could result in wheel breakage.**
20. **Make sure the wheel is not contacting the workpiece before the switch is turned on.**
21. **Before using the tool on an actual workpiece, let it run for a while. Watch for vibration or wobbling that could indicate poor installation or a poorly balanced wheel.**
22. **Use the specified surface of the wheel to perform the grinding.**
23. **Do not leave the tool running. Operate the tool only when hand-held.**
24. **Do not touch the workpiece immediately after operation; it may be extremely hot and could burn your skin.**
25. **Observe the instructions of the manufacturer for correct mounting and use of wheels. Handle and store wheels with care.**
26. **Do not use separate reducing bushings or adaptors to adapt large hole abrasive wheels.**
27. **Use only flanges specified for this tool.**
28. **For tools intended to be fitted with threaded hole wheel, ensure that the thread in the wheel is long enough to accept the spindle length.**
29. **Check that the workpiece is properly supported.**
30. **Pay attention that the wheel continues to rotate after the tool is switched off.**
31. **If working place is extremely hot and humid, or badly polluted by conductive dust, use a short-circuit breaker (30 mA) to assure operator safety.**
32. **Do not use the tool on any materials containing asbestos.**
33. **When use cut-off wheel, always work with the dust collecting wheel guard required by domestic regulation.**
34. **Cutting discs must not be subjected to any lateral pressure.**

SAVE THESE INSTRUCTIONS.

⚠WARNING:

DO NOT let comfort or familiarity with product (gained from repeated use) replace strict adherence to safety rules for the subject product. MISUSE or failure to follow the safety rules stated in this instruction manual may cause serious personal injury.

FUNCTIONAL DESCRIPTION

⚠CAUTION:

- Always be sure that the tool is switched off and unplugged before adjusting or checking function on the tool.

Shaft lock

Fig.1

⚠CAUTION:

- Never actuate the shaft lock when the spindle is moving. The tool may be damaged.

Press the shaft lock to prevent spindle rotation when installing or removing accessories.

Switch action

Fig.2

⚠CAUTION:

- Before plugging in the tool, always check to see that the slide switch actuates properly and returns to the "OFF" position when the rear of the slide switch is depressed.
- Switch can be locked in "ON" position for ease of operator comfort during extended use. Apply caution when locking tool in "ON" position and maintain firm grasp on tool.

To start the tool, slide the slide switch toward the "I (ON)" position by pushing the rear of the slide switch. For continuous operation, press the front of the slide switch to lock it.

To stop the tool, press the rear of the slide switch, then slide it toward the "O (OFF)" position.

Indication lamp

Fig.3

The indication lamp lights up green when the tool is plugged. If the indication lamp does not light up, the mains cord or the controller may be defective. The indication lamp is lit but the tool does not start even if the tool is switched on, the carbon brushes may be worn out, or the controller, the motor or the ON/OFF switch may be defective.

Unintentional restart proof

The tool does not start with the switch being lock-on even when the tool is plugged.

At this time, the indication lamp flickers red and shows the unintentional restart proof device is on function.

To cancel the unintentional restart proof, return the slide switch to "O(OFF)" position.

Speed adjusting dial

Fig.4

The rotating speed can be changed by turning the speed adjusting dial to a given number setting from 1 to 5.

Higher speed is obtained when the dial is turned in the direction of number 5. And lower speed is obtained when it is turned in the direction of number 1.

Refer to the below table for the relationship between the number settings on the dial and the approximate rotating speed.

For model GA4040C, GA4540C, GA5040C, GA4041C, GA4541C, GA5041C

Number	min ⁻¹ (R.P.M.)
1	2,800
2	4,000
3	6,000
4	8,000
5	11,000

012752

For model GA6040C

Number	min ⁻¹ (R.P.M.)
1	4,000
2	5,000
3	6,000
4	7,000
5	9,000

012756

⚠CAUTION:

- If the tool is operated continuously at low speeds for a long time, the motor will get overloaded and heated up.
- The speed adjusting dial can be turned only as far as 5 and back to 1. Do not force it past 5 or 1, or the speed adjusting function may no longer work.

Electronic function

The tools equipped with electronic function are easy to operate because of the following features.

Constant speed control

Constant speed control provides fine finish by keeping the rotating speed constant under the loaded condition.

Soft start feature

Soft start feature suppresses starting shock.

Overload protector

When the load on the tool exceeds admissible levels, power to the motor is reduced to protect the motor from overheating. When the load returns to admissible levels, the tool will operate as normal.

Mechanical brake

For model GA4041C, GA4541C, GA5041C

Mechanical brake is activated after the tool is switched off.

The brake does not work when the power supply is shut down with the switch still on.

ASSEMBLY

CAUTION:

- Always be sure that the tool is switched off and unplugged before carrying out any work on the tool.

Installing side grip (handle)

Fig.5

CAUTION:

- Always be sure that the side grip is installed securely before operation.

Screw the side grip securely on the position of the tool as shown in the figure.

Installing or removing wheel guard (For depressed center wheel, flap disc, flex wheel, wire wheel brush / abrasive cut-off wheel, diamond wheel)

WARNING:

- When using a depressed center wheel, flap disc, flex wheel or wire wheel brush, the wheel guard must be fitted on the tool so that the closed side of the guard always points toward the operator.
- When using an abrasive cut-off / diamond wheel, be sure to use only the special wheel guard designed for use with cut-off wheels. (In some European countries, when using a diamond wheel, the ordinary guard can be used. Follow the regulations in your country.)

For tool with locking screw type wheel guard

Fig.6

Mount the wheel guard with the protrusions on the wheel guard band aligned with the notches on the bearing box. Then rotate the wheel guard around 180 ° counterclockwise. Be sure to tighten the screw securely. To remove wheel guard, follow the installation procedure in reverse.

For tool with clamp lever type wheel guard

Fig.7

Pull the lever in the direction of the arrow after loosening the screw. Mount the wheel guard with the protrusions on the wheel guard band aligned with the notches on the bearing box. Then rotate the wheel guard around 180 °.

Fig.8

Tighten the wheel guard with fastening the screw after pulling lever in the direction of the arrow. The setting angle of the wheel guard can be adjusted with the lever. To remove wheel guard, follow the installation procedure in reverse.

Installing or removing depressed center wheel or flap disc (optional accessory)

WARNING:

- When using a depressed center wheel or flap disc, the wheel guard must be fitted on the tool so that the closed side of the guard always points toward the operator.

Fig.9

Mount the inner flange onto the spindle. Fit the wheel/disc on the inner flange and screw the lock nut onto the spindle.

Fig.10

To tighten the lock nut, press the shaft lock firmly so that the spindle cannot revolve, then use the lock nut wrench and securely tighten clockwise.

To remove the wheel, follow the installation procedure in reverse.

Super flange (Optional accessory)

Models with the letter F are standard-equipped with Super flange. Only 1/3 of efforts needed to undo lock nut, compared with conventional type.

CAUTION:

- Do not use super flange for models equipped with the mechanical brake. Otherwise it may loosen when the brake is activated.

Installing or removing Ezynut (optional accessory)

CAUTION:

- Do not use Ezynut with Super Flange or angle grinder with "F" on the end of the model No. Those flanges are so thick that the entire thread cannot be retained by the spindle.

Fig.11

Mount inner flange, abrasive wheel and Ezynut onto the spindle so that Makita Logo on Ezynut faces outside.

Fig.12

Press shaft lock firmly and tighten Ezynut by turning the abrasive wheel clockwise as far as it turns.

Turn the outside ring of Ezynut counterclockwise to loosen.

Fig.13

Fig.14

NOTE:

- Ezynut can be loosened by hand as long as the arrow points the notch. Otherwise a lock nut wrench is required to loosen it. Insert one pin of the wrench into a hole and turn Ezynut counterclockwise.

Installing or removing flex wheel (optional accessory)

⚠WARNING:

- Always use supplied guard when flex wheel is on tool. Wheel can shatter during use and guard helps to reduce chances of personal injury.

Fig.15

Follow instructions for depressed center wheel but also use plastic pad over wheel. See order of assembly on accessories page in this manual.

Installing or removing abrasive disc (optional accessory)

NOTE:

- Use sander accessories specified in this manual. These must be purchased separately.

Fig.16

Mount the rubber pad onto the spindle. Fit the disc on the rubber pad and screw the sanding lock nut onto the spindle. To tighten the sanding lock nut, press the shaft lock firmly so that the spindle cannot revolve, then use the lock nut wrench and securely tighten clockwise.

To remove the disc, follow the installation procedure in reverse.

Installing or removing dust cover attachment (Optional accessory)

⚠WARNING:

- **Always be sure that the tool is switched off and unplugged before installing or removing the dust cover attachment.** Failure to do so causes damage to the tool or a personal injury.

There are four pieces of dust cover attachment and each is used in one of different positions.

Fig.17

Set the dust cover attachment so that the marking (A, B, C or D) places as shown. Snap its pins in the vents.

Dust cover attachment can be removed by hand.

NOTE:

- Clean out the dust cover attachment when it is clogged with dust or foreign matters. Continuing operation with a clogged dust cover attachment will damage the tool.

OPERATION

⚠WARNING:

- It should never be necessary to force the tool. The weight of the tool applies adequate pressure. Forcing and excessive pressure could cause dangerous wheel breakage.
- ALWAYS replace wheel if tool is dropped while grinding.
- NEVER bang or hit grinding disc or wheel onto work.
- Avoid bouncing and snagging the wheel, especially when working corners, sharp edges etc. This can cause loss of control and kickback.
- NEVER use tool with wood cutting blades and other saw blades. Such blades when used on a grinder frequently kick and cause loss of control leading to personal injury.

⚠CAUTION:

- Never switch on the tool when it is in contact with the workpiece, it may cause an injury to operator.
- Always wear safety goggles or a face shield during operation.
- After operation, always switch off the tool and wait until the wheel has come to a complete stop before putting the tool down.

Grinding and sanding operation

Fig.18

ALWAYS hold the tool firmly with one hand on housing and the other on the side handle. Turn the tool on and then apply the wheel or disc to the workpiece.

In general, keep the edge of the wheel or disc at an angle of about 15° to the workpiece surface.

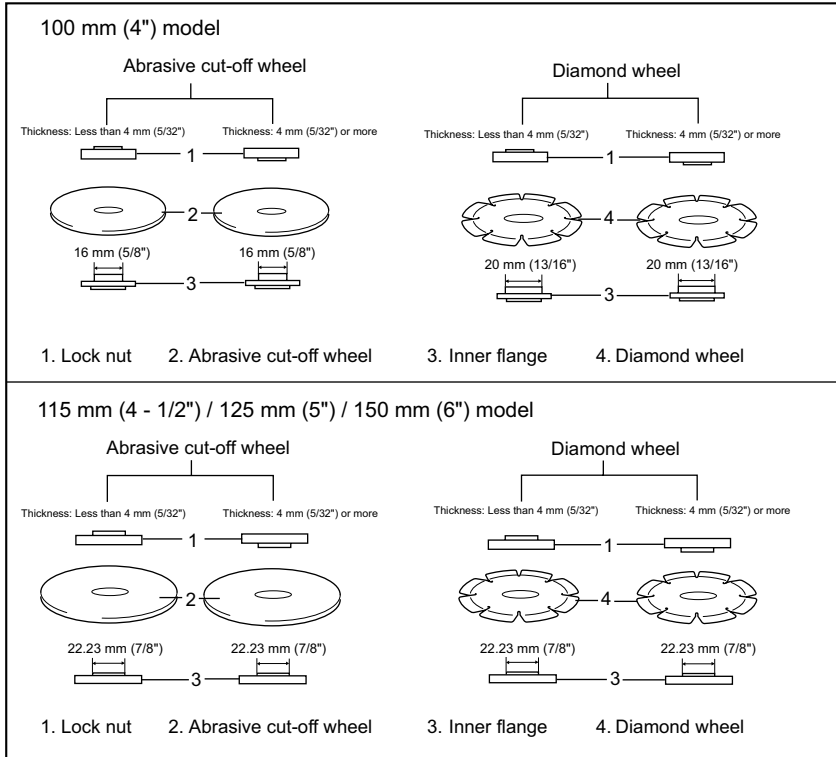
During the break-in period with a new wheel, do not work the grinder in the B direction or it will cut into the workpiece. Once the edge of the wheel has been rounded off by use, the wheel may be worked in both A and B direction.

Operation with abrasive cut-off / diamond wheel (optional accessory)

Fig.19

The direction for mounting the lock nut and the inner flange varies by wheel thickness. Refer to the table below.

Refer to the table below.



012746

⚠WARNING:

- When using an abrasive cut-off / diamond wheel, be sure to use only the special wheel guard designed for use with cut-off wheels. (In some European countries, when using a diamond wheel, the ordinary guard can be used. Follow the regulations in your country.)
- NEVER use cut-off wheel for side grinding.
- Do not "jam" the wheel or apply excessive pressure. Do not attempt to make an excessive depth of cut. Overstressing the wheel increases the loading and susceptibility to twisting or binding of the wheel in the cut and the possibility of kickback, wheel breakage and overheating of the motor may occur.
- Do not start the cutting operation in the workpiece. Let the wheel reach full speed and carefully enter into the cut moving the tool forward over the workpiece surface. The wheel may bind, walk up or kickback if the power tool is started in the workpiece.
- During cutting operations, never change the angle of the wheel. Placing side pressure on the cut-off wheel (as in grinding) will cause the wheel to crack and break, causing serious personal injury.
- A diamond wheel shall be operated perpendicular to the material being cut.

Operation with wire cup brush (optional accessory)

CAUTION:

- Check operation of brush by running tool with no load, insuring that no one is in front of or in line with brush.
- Do not use brush that is damaged, or which is out of balance. Use of damaged brush could increase potential for injury from contact with broken brush wires.

Fig.20

Unplug tool and place it upside down allowing easy access to spindle. Remove any accessories on spindle. Thread wire cup brush onto spindle and tighten with supplied wrench. When using brush, avoid applying too much pressure which causes over bending of wires, leading to premature breakage.

Operation with wire wheel brush (optional accessory)

CAUTION:

- Check operation of wire wheel brush by running tool with no load, insuring that no one is in front of or in line with the wire wheel brush.
- Do not use wire wheel brush that is damaged, or which is out of balance. Use of damaged wire wheel brush could increase potential for injury from contact with broken wires.
- ALWAYS use guard with wire wheel brushes, assuring diameter of wheel fits inside guard. Wheel can shatter during use and guard helps to reduce chances of personal injury.

Fig.21

Unplug tool and place it upside down allowing easy access to spindle. Remove any accessories on spindle. Thread wire wheel brush onto spindle and tighten with the wrenches.

When using wire wheel brush, avoid applying too much pressure which causes over bending of wires, leading to premature breakage.

MAINTENANCE

CAUTION:

- Always be sure that the tool is switched off and unplugged before attempting to perform inspection or maintenance.
- Never use gasoline, benzine, thinner, alcohol or the like. Discoloration, deformation or cracks may result.

Fig.22

The tool and its air vents have to be kept clean. Regularly clean the tool's air vents or whenever the vents start to become obstructed.

To maintain product SAFETY and RELIABILITY, repairs, carbon brush inspection and replacement, any other maintenance or adjustment should be performed by Makita Authorized Service Centers, always using Makita replacement parts.

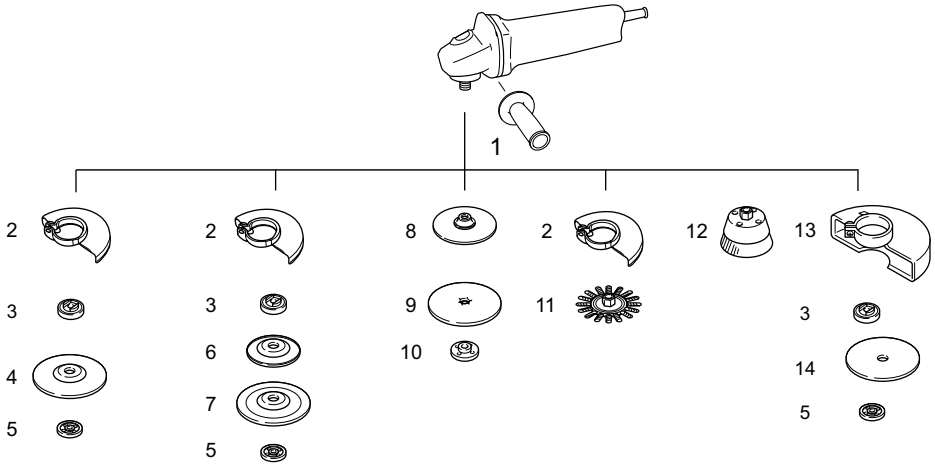
OPTIONAL ACCESSORIES

CAUTION:

- These accessories or attachments are recommended for use with your Makita tool specified in this manual. The use of any other accessories or attachments might present a risk of injury to persons. Only use accessory or attachment for its stated purpose.

If you need any assistance for more details regarding these accessories, ask your local Makita Service Center.

- Dust cover attachment



	100 mm (4") model	115 mm (4-1/2") model	125 mm (5") model	150 mm (6") model
1	Grip 36			
2	Wheel Guard (for grinding wheel)			
3	Inner flange	Inner flange Super flange *1	Inner flange Super flange *1	Inner flange Super flange *1
4	Depressed center wheel/Flap disc			
5	Lock nut	Lock nut Ezy nut *2	Lock nut Ezy nut *2	Lock nut Ezy nut *2
6	Plastic pad	Plastic pad	Plastic pad	-
7	Flex wheel	Flex wheel	Flex wheel	-
8	Rubber pad 76	Rubber pad 100	Rubber pad 115	Rubber pad 125
9	Abrasive disc			
10	Sanding lock nut			
11	Wire wheel brush			
12	Wire cup brush			
13	Wheel Guard (for cut-off wheel) *3			
14	Abrasive cut-off wheel/Diamond wheel			
-	Lock nut wrench			

Note:

*1 Do not use Super flange with a grinder equipped with a brake function.

*2 Do not use Super flange and Ezynut together.

*3 In some European countries, when using a diamond wheel, the ordinary guard can be used instead of the special guard covering the both side of the wheel. Follow the regulations in your country.

013977

NOTE:

- Some items in the list may be included in the tool package as standard accessories. They may differ from country to country.

SVENSKA (Originalbruksanvisning)

Förklaring till översiktssbilderna

1-1. Spindellås	9-3. Innerfläns	16-3. Gummiplatta
2-1. Skjutknapp	10-1. Tapptryckel för låsmutter	17-1. Markering A
3-1. Indikatorlampa (ratt för hastighetsinställning)	10-2. Spindellås	17-2. Markering B
4-1. Ratt för hastighetsinställning	11-1. Ezynut	17-3. Markering C
6-1. Sprängskydd för sliprondell	11-2. Slipskiva	17-4. Markering D
6-2. Lagerhus	11-3. Innerfläns	19-1. Låsmutter
6-3. Skruv	11-4. Spindel	19-2. Kap-/diamantskiva
7-1. Sprängskydd för sliprondell	12-1. Spindellås	19-3. Innerfläns
7-2. Lagerhus	13-1. Pil	19-4. Sprängskydd för kap-/diamantskiva.
7-3. Skruv	13-2. Ås	20-1. Koppformad stålborste
7-4. Spak	15-1. Låsmutter	21-1. Skivstålborste
8-1. Skruv	15-2. Flexibel rondell	22-1. Utblås
8-2. Spak	15-3. Plastplatta	22-2. Luftintag
9-1. Låsmutter	15-4. Innerfläns	
9-2. Rondell med försänkt centrumhål	16-1. Låsmutter för slipning	
	16-2. Sliprondell	

SPECIFIKATIONER

Modell	GA4040C	GA4041C	GA4540C	GA4541C	GA5040C	GA5041C	GA6040C
Skivdiameter	100 mm (4")		115 mm (4-1/2")		125 mm (5")		150 mm (6")
Max. tjocklek för slipskiva	6,4 mm						
Spindelgånga	M10		M14 eller 5/8" (landsspecifik)				
Märkvarvtal (n) / Obelastat varvtal (n ₀)	11 000 min ⁻¹		11 000 min ⁻¹		11 000 min ⁻¹		9 000 min ⁻¹
Längd	303 mm	325 mm	303 mm	325 mm	303 mm	325 mm	303 mm
Vikt	2,3 kg	2,6 kg	2,5 kg	2,7 kg	2,5 kg	2,7 kg	2,6 kg
Säkerhetsklass	II/II						

- På grund av vårt pågående program för forskning och utveckling kan dessa specifikationer ändras utan föregående meddelande.
- Specifikationerna kan variera mellan olika länder.
- Vikt i enlighet med EPTA-procedur 01/2003

ENE048-1

Användningsområde

Maskinen är avsedd för slipning och kapning i trä och stenmaterial utan användning av vatten.

ENF002-2

Strömförsörjning

Maskinen får endast anslutas till elnät med samma spänning som anges på typplåten och med enfasig växelström. De är dubbelisolerade och får därför också anslutas i ojordade vägguttag.

ENG905-1

Buller

Typiska A-vägd bullernivån är mätt enligt EN60745:

Modell GA4040C, GA4540C, GA5040C

Ljudtrycksnivå (L_{pA}): 86 dB (A)
Ljudtrycksnivå (L_{WA}): 97 dB (A)
Måttolerans (K) : 3 dB (A)

Modell GA6040C

Ljudtrycksnivå (L_{pA}): 87 dB (A)
Ljudtrycksnivå (L_{WA}): 98 dB (A)
Måttolerans (K) : 3 dB (A)

Modell GA4541C

Ljudtrycksnivå (L_{pA}): 83 dB (A)
Ljudtrycksnivå (L_{WA}): 94 dB (A)
Måttolerans (K) : 3 dB (A)

Modell GA5041C

Ljudtrycksnivå (L_{pA}): 84 dB (A)
Ljudtrycksnivå (L_{WA}): 95 dB (A)
Måttolerans (K) : 3 dB (A)

Använd hörselskydd

ENG900-1

Vibration

Vibrationens totalvärde (tre-axlars vektorsumma) mätt enligt EN60745:

- Det deklarerade vibrationsemissionsvärdet har uppmätts i enlighet med standardtestmetoden och kan användas för jämförandet av en maskin med en annan.
- Det deklarerade vibrationsemissionsvärdet kan också användas i preliminär bedömning av exponering för vibration.
- Det deklarerade vibrationsemissionsvärdet används för maskinens huvudsakliga arbetsuppgifter. Om maskinen används för andra arbetsuppgifter däremot kan vibrationsemissionsvärdet bli annorlunda.

⚠ VARNING!

- Vibrationsemissionen under faktisk användning av maskinen kan skilja sig från det deklarerade emissionsvärdet, beroende på hur maskinen används.
- Se till att hitta säkerhetsåtgärder som kan skydda användaren och som grundar sig på en uppskattning av exponering i verkligheten (ta med i beräkningen alla delar av användandet såsom antal gånger maskinen är avstängd och när den körs på tomgång samt då startomkopplaren används).

ENH101-16

Gäller endast Europa

EU-konformitetsdeklaration

Vi Makita Corporation som ansvariga tillverkare deklarerar att följande Makita-maskin(er):

Maskinbeteckning:

Vinkelslipmaskin

Modellnr./ Typ: GA4040C, GA4540C, GA5040C, GA6040C, GA4541C, GA5041C

är för serieproduktion och

Följer följande EU-direktiv:

2006/42/EC

Och är tillverkade enligt följande standarder eller standardiseringsdokument:

EN60745

Den tekniska dokumentationen förs av:

Makita International Europe Ltd.

Technical Department,

Michigan Drive, Tongwell,

Milton Keynes, Bucks MK15 8JD, England

30.8.2011



Tomoyasu Kato
Direktör

Makita Corporation

3-11-8, Sumiyoshi-cho,

Anjo, Aichi, 446-8502, JAPAN

000230

Allmänna säkerhetsvarningar för maskin

⚠ **VARNING** Läs igenom alla säkerhetsvarningar och instruktioner. Underlåtenhet att följa varningar och instruktioner kan leda till elektrisk stöt, brand och/eller allvarliga personskador.

Spara alla varningar och instruktioner för framtida referens.

GEB033-7

SÄKERHETSVARNINGAR FÖR SLIPMASKIN

Säkerhetsvarningar för slipning, stålborstning eller abrasiv skärning:

1. Den här maskinen är utformad för att användas för slipning, stålborstning eller som skärverktyg. Läs alla säkerhetsvarningar, instruktioner, illustrationer som medföljer den här maskinen. Underlåtenhet att följa alla instruktioner nedan kan leda till elstöt, brand och/eller allvarlig skada.
2. Den här maskinen rekommenderas inte för poleringsarbeten. Används maskinen till andra arbeten än de avsedda, kan det orsaka fara och personskada.
3. Använd inte tillbehör som inte är särskilt tillverkade och rekommenderade av maskinens tillverkare. Även om tillbehöret passar maskinen, innebär det inte säker funktion.
4. Tillbehörets märkvarvtal måste vara minst lika med det maximala varvtalet som anges på maskinen. Tillbehör som används över märkvarvtalet kan gå sönder och orsaka skador.
5. Tillbehörets ytterdiameter och tjocklek skall vara anpassat till maskinens kapacitet. Tillbehör i olämplig storlek kan inte skyddas eller styras tillräckligt väl.
6. Gångorna på tillbehör som monteras måste stämma överens med spindelgångorna på slipmaskinen. För tillbehör som monteras med flänsar måste centrumhålet på tillbehöret passa på flänsens styrdiameter. Tillbehör som inte passar exakt på maskinens monteringsbeslag roterar ojämnt, vibrerar kraftigt och kan leda till att du förlorar kontrollen.
7. Använd inte skadade tillbehör. Kontrollera tillbehör som sliprondeller efter hack och sprickor, underlagsplattor efter sprickor, slitage och stålborstar efter lösa eller brutna trådar. Om du tappar maskinen eller ett tillbehör, kontrollera efter skador eller sätt i ett oskadat tillbehör. Efter inspektion och installation av ett tillbehör, ställ dig och andra närvarande bort från det roterande tillbehörets riktning och kör maskinen på full hastighet

utan last i en minut. Skadade tillbehör går normalt sönder under den här testtiden.

8. **Använd personlig skyddsutrustning. Använd visir, ögonskydd eller skyddsglasögon beroende på arbetet. Om det är lämpligt, använd dammask, hörselskydd, handskar och skyddsförkläde som kan skydda mot avskrap eller små fragment från arbetsstycket.** Ögonskyddet måste kunna stoppa flygande fragment som uppstår vid olika arbeten. Dammasken eller andningsmasken måste kunna filtrera partiklar som uppstår vid arbetet. Att utsättas för ihållande högt och intensivt ljud kan orsaka hörselskador.
9. **Håll personer i omgivningen på säkert avstånd från arbetsområdet. De som befinner sig i arbetsområdet ska bära personlig skyddsutrustning.** Delar av arbetsstycket eller defekta tillbehör kan flyga iväg och orsaka skador utanför arbetsområdet.
10. **Håll maskinen endast i de isolerade handtagen när du utför arbete där verktyget kan komma i kontakt med en dold elkabel eller maskinens kabel.** Om verktyget kommer i kontakt med en strömförande ledning blir maskinens metalldelar strömförande och kan ge operatören en elektrisk stöt.
11. **Placera nätsladden bort från det roterande tillbehöret.** Om du förlorar kontrollen, kan nätsladden kapas eller fastna och din hand eller arm kan dras in i det roterande verktyget.
12. **Lägg aldrig maskinen åt sidan förrän den har stannat helt.** Det roterande tillbehöret kan gripa tag i underlaget och du kan förlora kontrollen över maskinen.
13. **Kör inte maskinen när du bär det vid din sida.** Oavsiktlig kontakt med det roterande tillbehöret kan fastna i dina kläder, och dra in tillbehöret mot kroppen.
14. **Renör regelbundet maskinens ventilationsöppningar.** Motorns fläkt suger in damm i höljet och överdriven ansamling av pulvriserad metall kan orsaka elektrisk fara.
15. **Använd inte maskinen i närheten av lättantändliga material.** Gnistor kan antända dessa material.
16. **Använd inte tillbehör som kräver flytande kylvätskor.** Att använda vatten eller andra flytande kylvätskor kan orsaka dödsfall eller elektriska stötar.

Bakåtkast och relaterade varningar

Bakåtkast är en plötslig reaktion på fastnyp roterande hjul, underlagsplatta, borste eller annat tillbehör. Nyp och kärvning orsakar stegring av det roterande tillbehöret, och orsakar i sin tur att den okontrollerade maskinen tvingas i motsatt riktning vid kärvningspunkten. Om en slipskiva till exempel nyper fast i arbetsstycket, kan skivans kant som går in i fästpunkten skära in i materialet och orsaka att hjulet hoppar ur och kastas bakåt. Hjulet kan antingen hoppa mot eller från

användaren, beroende på hjulets rörelseriktning vid kärvningspunkten. Slipskivor kan även gå sönder under dessa omständigheter.

Bakåtkast beror på ovarsamhet och/eller felaktiga arbetsrutiner eller omständigheter för maskinen och kan undvikas genom att vidta nedanstående förebyggande åtgärder.

- a) **Håll stadigt i maskinen och ställ dig så att din kropp och arm kan motverka krafterna vid bakåtkast. Använd alltid ett extrahandtag, om sådant finns, för att maximal kontroll vid bakåtkast eller vridningsrörelsen vid start.** Användaren kan kontrollera vridrörelsen eller krafterna vid bakåtkast om rätt försiktighetsåtgärder vidtas.
- b) **Håll aldrig handen i närheten av det roterande tillbehöret.** Tillbehöret kan kastas bakåt över din hand.
- c) **Ställ dig inte dit maskinen kommer att flytta i händelse av bakåtkast.** Bakåtkast kommer att driva verktyget i motsatt riktning till hjulets rörelse vid kärvningspunkten.
- d) **Var försiktig vid arbeten på hörn, vassa kanter etc. Undvik att studsas och klämma tillbehöret.** Hörn, skarpa kanter eller studsning har en tendens att klämma det roterande tillbehöret och orsaka förlorad kontroll eller bakåtkast.
- e) **Montera inte en sägkedja, snidarblad eller ett tandat sågblad.** Sådana blad orsakar ofta bakåtkast och förlorad kontroll.

Säkerhetsvarningar för slipning och abrasiv skärning:

- a) **Använd endast de skivor som rekommenderas för din maskin och det särskilda sprängskyddet för skivan.** Skivor som inte tillverkats för maskinen kan inte skyddas tillräckligt och är inte tillförlitliga.
- b) **Slipytan på nedsänkta skivor måste monteras under planet från sprängskyddets kant.** En felaktigt monterad skiva som sticker utanför planet från sprängskyddets kant är inte tillräckligt skyddad.
- c) **Sprängskyddet måste vara ordentligt fäst vid maskinen och placerat för maximal säkerhet, så att minsta möjliga yta av skivan är öppen mot användare.** Sprängskyddet skyddar användaren mot trasiga skivdelar, oavsiktlig kontakt med skivan och gnistor som kan antända kläder.
- d) **Skivorna får endast användas till rekommenderade arbetsuppgifter. Till exempel: slipa inte med en kapskivas utsida.** Slipkapskivor är avsedda för kantslipning, sidokrafter kan spränga sådana skivor.
- e) **Använd alltid oskadade skivflänsar i rätt storlek och form till din skiva.** Rätt skivflänsar stöder skivan och minskar risken för att skivan går sönder. Flänsar till kapskivor kan skilja sig från flänsar till slipskivor.

f) **Använd inte nedslitna skivor från större maskiner.** Skivor avsedda för större maskiner är inte lämpliga för mindre maskiners högre varvtal och kan spricka.

Ytterligare särskilda säkerhetsvarningar för abrasiv skärning:

- a) **Kärva inte fast kapskivan och använd inte för stor kraft. Skär inte onödigt djupt.** Överbelastning av skivan ökar risken för vridning eller nypning av skivan i skåret och risken för bakåtkast eller att skivan går sönder.
- b) **Ställ dig inte i linje med och bakom den roterande skivan.** När skivan rör sig ifrån dig, kan ett bakåtkast skicka den roterande skivan och maskinen mot dig.
- c) **När skivan kärvar eller om en skärning avbryts, stäng av maskinen och håll maskinen stilla tills skivan har stannat helt. Försök aldrig att ta ut kapskivan ur skåret när skivan är i rörelse, för att undvika bakåtkast.** Kontrollera och rätta till eventuella brister för att eliminera risken för kärvning.
- d) **Starta inte om kappningen med maskinen i arbetsstycket. Låt skivan nå full hastighet och placera den försiktigt tillbaka i skåret.** Skivan kan kärva, hoppa ur eller orsaka bakåtkast om maskinen startas om i arbetsstycket.
- e) **Stötta långa eller stora arbetsstycken för att minimera risken för att klingan nyper fast och ger bakåtkast.** Långa arbetsstycken böjs av sin egen tyngd. Placera stöd under arbetsstycket nära skärmlinjen och stöd på båda sidorna, vid kanten på arbetsstycket och på båda sidor av skivan.
- f) **Var extra uppmärksam vid genomstick in i en vägg eller andra dolda utrymmen.** Den utskjutande klingan kan såga av gas- eller vattenledningar, elektriska ledningar eller föremål som kan orsaka bakåtkast.

Säkerhetsvarningar särskilt vid slipning:

- a) **Använd inte för stora slipskivor. Följ tillverkarens rekommendationer när du väljer slipskiva.** Större slippapper som sticker ut utanför underlaget ger risk för rivning och kan orsaka kärvning, rivning av skivan eller bakåtkast.

Säkerhetsvarningar särskilt vid stålborstning:

- a) **Var uppmärksam på att trädbitar kastas ut från borsten även vid normal användning. Överbelasta inte trådarna genom att anlägga onödigt stor kraft mot borsten.** Trådarna kan enkelt gå igenom tunnare klädsel och/eller huden.
- b) **Om användning av skydd rekommenderas vid stålborstning, tillåt inte att borstskivan eller borsten går emot skyddet.** Borstens diameter kan expandera på grund av belastningen eller centrifugalkraften.

Ytterligare säkerhetsvarningar:

17. **Vid användning av nedsänkta center-rondeller, ska endast glasfiberförstärkta rondeller användas.**

18. **ANVÄND ALDRIG sten-skålskivor med denna slipmaskin.** Denna slipmaskin är inte konstruerad för denna typ av skivor och användningen av dessa kan resultera i allvarlig personskada.
19. **Var försiktig så att inte spindeln, flänsen (i synnerhet monteringsytan) eller låsmuttern skadas.** Skador på någon av dessa delar kan medföra att rondellen förstörs.
20. **Se till att rondellen inte är i kontakt med arbetsstycket när du trycker på avtryckaren.**
21. **Låt verktyget vara igång en stund innan den används på arbetsstycket. Kontrollera att skivan inte vibrerar eller skakar vilket kan innebära att den är felaktigt monterad eller dåligt balanserad.**
22. **Slipa endast med den del av rondellen som är avsedd för slipning.**
23. **Lämna inte maskinen igång. Använd endast maskinen när du håller den i händerna.**
24. **Rör inte vid arbetsstycket omedelbart efter arbetet. Det kan vara extremt varmt och orsaka brännskador.**
25. **Följ tillverkarens anvisningar för korrekt montering och användning av rondeller. Hantera rondellerna varsamt och förvara dem på säker plats.**
26. **Använd inte separata reducerhylsor eller adapter för att kunna använda sliprondeller med större hål.**
27. **Använd endast flänsar avsedda för den här maskinen.**
28. **Kontrollera att gänglängden i rondellen är tillräckligt lång för spindellängden om rondellen är avsedd att gängas fast.**
29. **Kontrollera att arbetsstycket är ordentligt fastsatt.**
30. **Tänk på att rondellen fortsätter att rotera efter att maskinen stängts av.**
31. **Om arbetsplatsen är extremt varm och fuktig, eller har hög koncentration av elektriskt ledande damm, ska jordfelsbrytare (30 mA) användas för användarens säkerhet.**
32. **Använd inte maskinen för material som innehåller asbest.**
33. **Använd alltid föreskrivet dammuppsamlade sprängskydd när du arbetar med kapskiva.**
34. **Kapskivor får inte utsättas för sidokrafter.**

SPARA DESSA ANVISNINGAR.

⚠VARNING!

GLÖM INTE att noggrant följa säkerhetsanvisningarna för maskinen även efter det att du har blivit van att använda den. **OVARSAM** hantering eller underlåtenhet att följa säkerhetsanvisningarna i denna bruksanvisning kan leda till allvarliga personskador.

FUNKTIONSBESKRIVNING

⚠FÖRSIKTIGT!

- Se alltid till att maskinen är avstängd och nätsladden urdragen innan du justerar eller funktionskontrollerar maskinen.

Spindellås

Fig.1

⚠FÖRSIKTIGT!

- Aktivera aldrig spindellåset medan spindeln rör sig. Maskinen kan skadas.

Tryck ned spindellåset för att förhindra att spindelns roterar när du monterar eller tar bort tillbehör.

Avtryckarens funktion

Fig.2

⚠FÖRSIKTIGT!

- Innan du ansluter maskinen till elnätet ska du kontrollera att skjutknappen fungerar och återgår till läget "OFF" när du trycker på den bakre delen av knappen.
- Knappen kan låsas i läge "ON" för att underlätta användning när maskinen används under längre tid. Var försiktig när du låser maskinen i läge "ON", och fortsätt håll ett stadigt grepp i maskinen.

För att starta maskinen ska du skjuta skjutreglaget mot "I (PÅ)"-positionen genom att trycka på baksidan av skjutreglaget. För oavbruten drift, tryck på framkanten av skjutreglaget vilket låser läget.

Tryck på skjutreglagets bakre kant och skjut den sedan till läget "O (AV)" för att stänga av maskinen.

Indikatorlampa

Fig.3

Den gröna indikatorlampan lyser när maskinen är inkopplad. Om indikatorlampan inte tänds, kan nätsladden eller styrningen vara defekt. Om indikatorlampan lyser, och maskinen inte startar när du trycker på avtryckaren, kan kolborstarna vara utslitna, eller styrningen, motorn eller strömbrytaren defekt.

Spärr mot oavsiktlig omstart

Maskinen startar inte när reglaget är låst i påslaget läge även om den ansluts.

Om detta inträffar blinkar indikatorlampan rött för att indikera att enheten för skydd mot oavsiktlig start är i funktion. För att stänga av enheten för skydd mot oavsiktlig start ska du återställa skjutreglaget till "O(AV)"-positionen.

Ratt för hastighetsinställning

Fig.4

Rotationshastigheten ställs in genom att vrida hastighetsinställningen till ett värde mellan 1 och 5. Hastigheten blir högre när inställningen vrids mot 5. På samma sätt blir hastigheten lägre när inställningen vrids mot 1.

I nedanstående tabell visas sambandet mellan inställningssiffra och rotationshastighet.

För modell GA4040C, GA4540C, GA5040C, GA4041C, GA4541C, GA5041C

Nummer	min ⁻¹ (varv per min)
1	2 800
2	4 000
3	6 000
4	8 000
5	11 000

012752

För modell GA6040C

Nummer	min ⁻¹ (varv per min)
1	4 000
2	5 000
3	6 000
4	7 000
5	9 000

012756

⚠FÖRSIKTIGT!

- Om maskinen används oavbrutet i låg hastighet under en lång period blir motorn överbelastad och överhettad.
- Ratten för hastighetsinställning kan endast vridas till 5 och tillbaka till 1. Tvinga den inte förbi 5 eller 1 eftersom hastighetsinställningen då kan sättas ur funktion.

Elektronisk funktion

Följande elektroniska funktioner underlättar användningen av maskinen.

Konstant hastighetskontroll

Konstant varvtal ger fin finish genom att hålla rotationshastigheten konstant vid belastning.

Mjukstartfunktion

Mjukstartfunktionen dämpar startchocken.

Överbelastningsskydd

När belastningen på maskinen överstiger den tillåtna nivån, minskar strömmen till motorn för att skydda motorn från att överhettas. När belastningen återgår till den tillåtna nivån, arbetar maskinen normalt igen.

Mekanisk broms

För modell GA4041C, GA4541C, GA5041C

Den mekaniska bromsen aktiveras när maskinen stängs av.

Bromsen fungerar inte när strömtillförseln stängs av med avtryckaren aktiverad.

MONTERING

⚠FÖRSIKTIGT!

- Se alltid till att maskinen är avstängd och nätsladden urdragen innan maskinen repareras.

Montera sidohandtaget

Fig.5

⚠FÖRSIKTIGT!

- Kontrollera alltid att sidohandtaget sitter fast ordentligt innan arbetet påbörjas.

Skruva fast sidohandtaget ordentligt på rätt plats på maskinen enligt figuren.

Montering eller demontering av sprängskydd (För rondell med försänkt centerhål, lamellslipskiva, flexibel rondell, skivstålborste/kapskiva, diamantskiva)

⚠VARNING!

- När en sliprondell med försänkt centerhål, lamellslipskiva, flexibel rondell eller skivstålborste används, måste sprängskyddet monteras på maskinen så att den slutna sidan alltid är vänd mot användaren.
- Vid användning av en kap-/diamantskiva ska du vara noga med att endast använda det speciella sprängskydd som är avsett för användning tillsammans med kapskivor. (I vissa europeiska länder kan det vanliga sprängskyddet användas tillsammans med diamantskivan. Följ föreskrifterna i ditt land.)

För maskin med sprängskydd och låsskruv

Fig.6

Montera sprängskyddet så att de utskjutande delarna på sprängskyddets band passar in i urtagen på lagerhuset. Vrid sedan sprängskyddet 180° moturs. Dra åt skruven ordentligt.

Gör på omvänt sätt för att ta bort sprängskyddet.

För maskin med sprängskydd och klämopak

Fig.7

Dra reglaget i pilens riktning när du har lossat skruven. Montera sprängskyddet så att de utskjutande delarna på sprängskyddets band passar in i urtagen på lagerhuset. Vrid sedan sprängskyddet 180°.

Fig.8

Dra åt sprängskyddet genom att fästa skruven efter att du har dragit reglaget i pilens riktning. Sprängskyddets inställningsvinkel kan justeras med reglaget.

Gör på omvänt sätt för att ta bort sprängskyddet.

Installera eller ta bort sliprondell med försänkt centerhål eller lamellslipskiva (valfritt tillbehör)

⚠VARNING!

- När en sliprondell med försänkt centerhål eller lamellslipskiva används, måste sprängskyddet monteras på maskinen så att den slutna sidan alltid är vänd mot användaren.

Fig.9

Sätt fast innerflänsen på spindeln. Passa in rondellen/skivan på innerflänsen och skruva på låsmuttern på spindeln.

Fig.10

Tryck in spindelläset ordentligt för att dra fast låsmuttern så att spindeln inte kan rotera. Använd sedan tappnyckeln för att dra fast ytterligare.

Gör på omvänt sätt för att ta bort rondellen.

Superfläns (valfritt tillbehör)

Modeller med bokstaven F är utrustade med en superfläns som standard. Endast 1/3 ansträngning behövs för att lossa låsmuttern jämfört med konventionell typ.

⚠FÖRSIKTIGT!

- Använd inte superfläns för modeller som är utrustade med mekanisk broms. Om du gör det kan den lossna när bromsen aktiveras.

Montera eller demontera Ezynut (valfritt tillbehör)

⚠FÖRSIKTIGT!

- Använd inte Ezynut med superfläns eller med vinkelslipmaskin med "F" i slutet av modellnumret. Dessa flänsar är så tjocka att hela gängningen inte kan hållas av spindeln.

Fig.11

Montera innerflänsen, slipskivan och Ezynut på spindeln så att Makitas logotyp på Ezynut är vänd utåt.

Fig.12

Tryck in spindelläset och dra åt Ezynut genom att vrida slipskivan medurs så långt som den går att vrida. Vrid Ezynut:s ytterringen moturs för att lossa den.

Fig.13

Fig.14

OBS!

- Ezynut kan lossas för hand så länge som pilen är riktad mot skåran. Annars behövs det en tappnyckel för att lossa den. Sätt i en av tappnyckelns stift i ett av hålen och vrid Ezynut moturs.

Montera eller demontera flexibel rondell (valfritt tillbehör)

⚠ VARNING!

- Använd alltid det medföljande skyddet när en flexibel rondell är monterad på maskinen. Skivan kan splittras under användning och skyddet hjälper till att minska risken för personskador.

Fig.15

Följ anvisningarna för sliprondell med försänkt centerhål men använd även stödrondell av plast över skivan. Se monteringssekvensen på tillbehörssidan i denna handbok.

Montera eller demontera sliprondell (valfritt tillbehör)

OBS!

- Använd endast slipningstillbehör som specificeras i denna bruksanvisning. Dessa måste köpas separat.

Fig.16

Montera stödrondellen av gummi på spindel. Passa in rondellen över stödrondellen och skruva fast låsmuttern för slipning på spindel. När du ska skruva fast låsmuttern för slipning trycker du ned spindellåset så att spindel inte kan rotera. Dra fast låsmuttern medurs med nyckeln.

Följ monteringsanvisningarna i omvänd ordning för att ta bort rondellen.

Montering eller demontering av dammskyddstillbehör (valfritt tillbehör)

⚠ VARNING!

- **Kontrollera alltid att maskinen är avstängd och urkopplad innan du installerar eller demonterar dammskyddet.** Om du inte gör det kan det orsaka skador på maskinen eller personskador.

Det finns fyra dammskydd och varje används i en av olika positioner.

Fig.17

Ställ in dammskyddet så att markeringarna (A, B, C eller D) placeras så som visas. Knäpp fast dess stift i hålen. Dammskyddstillbehöret kan tas bort för hand.

OBS!

- Torka ur dammskyddstillbehöret när det är igensatt med damm eller främrat material. Fortsatt användning med ett igensatt dammskyddstillbehör skadar maskinen.

ANVÄNDNING

⚠ VARNING!

- Tänk på att aldrig tvinga maskinen. Maskinens vikt ska utgöra ett tillräckligt tryck. Tvång eller överdrivet tryck kan resultera i farliga rondellbrott.
- Byt ALLTID ut rondellen om den har tappats under slipning.
- Slå ALDRIG med rondellen eller skivan på arbetsstycket.
- Undvik att studsas eller hackas med rondeller, i synnerhet i närheten av hörn, skarpa kanter osv. Det är lätt att i dessa situationer förlora kontrollen över maskinen så att den kastas bakåt.
- Använd ALDRIG maskinen med sågklingor avsedda för trä eller andra sågblad. Att använda sådana klingor i slipmaskiner innebär stor risk för bakåtkast som kan förorsaka personskador.

⚠ FÖRSIKTIGT!

- Starta aldrig maskinen när denna är i kontakt med arbetsstycket. Det kan orsaka personskador.
- Använd alltid skyddsglasögon eller visir under arbetet.
- När du är klar med arbetet ska du vänta tills rondellen stannat helt innan du lägger maskinen åt sidan.

Slipning av trä och metall

Fig.18

Håll ALLTID maskinen i ett fast grepp med ena handen på huset och den andra på sidohandtaget. Starta maskinen och för rondellen eller skivan mot arbetsstycket.

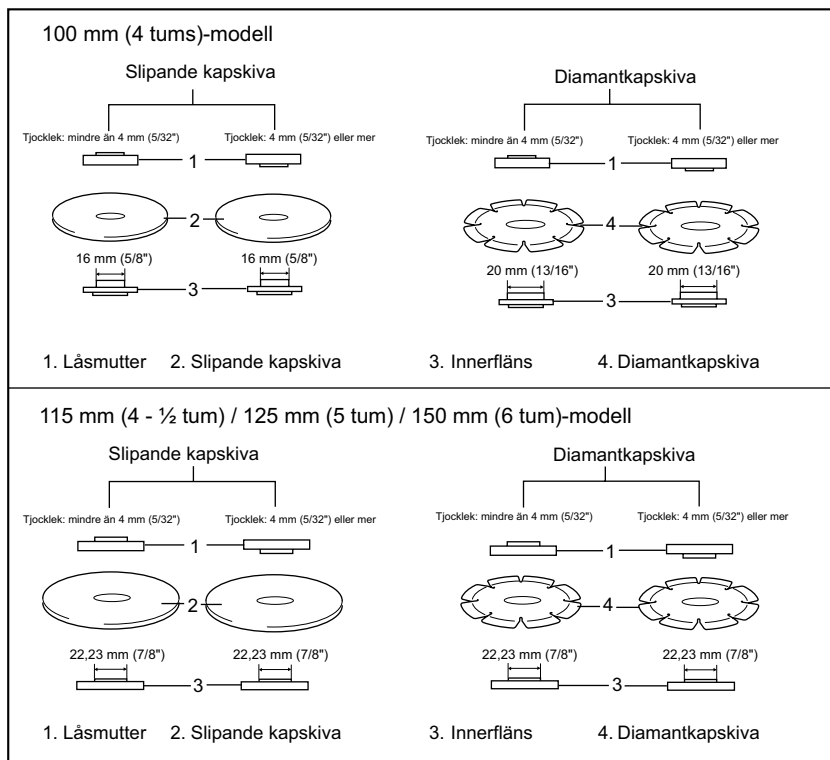
Normalt ska du hålla rondellens eller skivans kant mot arbetsstycket med en vinkel på 15°.

Under perioden då du kör in en ny rondell ska du inte föra slipmaskinen i B-riktningen eftersom den kan skära in i arbetsstycket. När kanten på rondellen har rundats av kan du slipa i båda riktningarna (A och B).

Användning av kap-/diamantskiva (valfritt tillbehör)

Fig.19

Riktningen för att montera låsmuttern och innerflänsen varierar beroende på skivans tjocklek. Se tabellen nedan.



012746

⚠ VARNING!

- Vid användning av en kap-/diamantskiva ska du vara noga med att endast använda det speciella sprängskydd som är avsett för användning tillsammans med kapskivor. (I vissa europeiska länder kan det vanliga sprängskyddet användas tillsammans med diamantskivan. Följ föreskrifterna i ditt land.)
- Använd ALDRIG kapskivor för sidoslipning.
- Se till att skivan inte "kärvar" och tryck inte hårt. Undvik att göra för djupa skär. Överutnyttjande av skivan ökar belastningen på maskinen och risken för att skivan bänds eller fastnar i spåret ökar, liksom risken för bakåtkast, skivbrott och överhettning av motorn.
- Starta inte skärningen med maskinen i arbetsstycket. Låt skivan uppnå fullt varvtal och sänk försiktigt ned maskinen och för den framåt. Skivan kan fastna, krypa upp eller kastas bakåt om maskinen startas med verktyget i ingrepp i arbetsstycket.
- Under skärningen får skivans vinkel aldrig ändras. Sidotryck på kapskivan (som vid slipning) medför att skivan spricker och sprängs, vilket kan leda till svåra personskador.
- En diamantskiva ska arbetas vinkelrätt mot det material som ska kapas.

Användning av den koppformade stålborsten (valfritt tillbehör)

⚠FÖRSIKTIGT!

- Kontrollera hur borsten fungerar genom att köra maskinen utan belastning och försäkra dig om att ingen finns framför eller i linje med borsten
- Använd inte en borste som är skadad eller obalanserad eftersom det kan öka risken för skada vid kontakt med trasiga ståltrådar.

Fig.20

Koppla bort maskinen från elnätet och placera den upp och ned för att lättare komma åt spindeln. Ta bort eventuella tillbehör på spindeln. Trä den koppformade stålborsten på spindeln och dra åt med medföljande nyckel. Undvik att använda för mycket tryck vid användning av borsten eftersom det böjer ståltrådarna för mycket och leder till slitage i förtid.

Användning av skivstålborsten (valfritt tillbehör)

⚠FÖRSIKTIGT!

- Kontrollera hur skivstålborsten fungerar genom att köra maskinen utan belastning och försäkra dig om att ingen finns framför eller i linje med skivstålborsten.
- Använd inte en skivstålborste som är skadad eller obalanserad eftersom det kan öka risken för skada vid kontakt med trasiga ståltrådar.
- Använd ALLTID skydd tillsammans med skivstålborstar och kontrollera att skivdiametern passar innanför skyddet. Skivan kan splittras under användningen och skyddet minskar risken för personskador.

Fig.21

Koppla bort maskinen från elnätet och placera den upp och ned för att lättare komma åt spindeln. Ta bort eventuella tillbehör på spindeln. Montera skivstålborsten på spindeln och dra åt med nycklarna.

Undvik att lägga på för mycket tryck vid användning av skivstålborsten eftersom det böjer ståltrådarna för mycket och leder till slitage i förtid.

UNDERHÅLL

⚠FÖRSIKTIGT!

- Se alltid till att maskinen är avstängd och nätkabeln urdragen innan inspektion eller underhåll utförs.
- Använd inte bensin, thinner, alkohol eller liknande. Missfärgning, deformation eller sprickor kan uppstå

Fig.22

Maskinen och luftintagen måste vara rena. Rengör maskinens ventilationshål regelbundet eller så snart ventilationen påverkas negativt.

För att upprätthålla produktens SÄKERHET och TILLFÖRLITLIGHET bör reparationer, kontroll och utbyte av kolborstar samt allt annat underhålls- och justeringsarbete utföras av ett auktoriserat Makita servicecenter och med reservdelar från Makita.

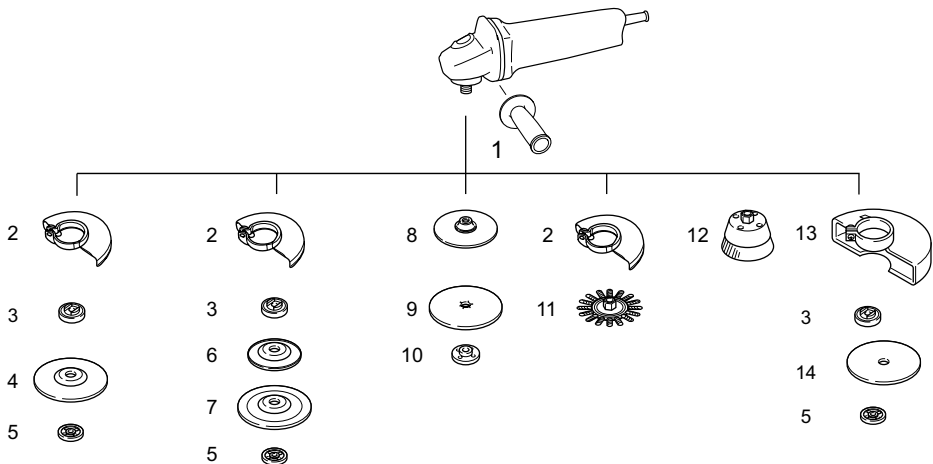
VALFRIA TILLBEHÖR

⚠FÖRSIKTIGT!

- Dessa tillbehör och tillsatser rekommenderas för användning tillsammans med den Makita-maskin som denna bruksanvisning avser. Om andra tillbehör eller tillsatser används kan det uppstå risk för personskador. Använd endast tillbehören eller tillsatserna för de syften de är avsedda för.

Kontakta ditt lokala Makita servicecenter om du behöver ytterligare information om dessa tillbehör.

- Dammskyddstillbehör



	100 mm (4 tums)-modell	115 mm (4 1/2 tums)-modell	125 mm (5 tums)-modell	150 mm (6 tums)-modell
1	Handtag 36			
2	Sprängskydd (för sliprondell)			
3	Innerfläns	Innerfläns Superfläns *1	Innerfläns Superfläns *1	Innerfläns Superfläns *1
4	Rondell med försänkt centerhål/Lamellslipskiva			
5	Låsmutter	Låsmutter Ezy nut *2	Låsmutter Ezy nut *2	Låsmutter Ezy nut *2
6	Plastplatta	Plastplatta	Plastplatta	-
7	Flexibel rondell	Flexibel rondell	Flexibel rondell	-
8	Stödronnell av gummi 76	Stödronnell av gummi 100	Stödronnell av gummi 115	Stödronnell av gummi 125
9	Sliprondell			
10	Låsmutter för slipning			
11	Skivstålborste			
12	Koppformad stålborste			
13	Sprängskydd (för kapskiva) *3			
14	Kap-/diamantskiva			
-	Tappnyckel för låsmutter			

Obs!

*1 Använd inte superfläns med en slipmaskin som har bromsfunktion.

*2 Använd inte superfläns och Ezynut tillsammans.

*3 I vissa europeiska länder kan det vanliga sprängskyddet användas tillsammans med diamantskivan istället för specialsprängskyddet som täcker båda sidor av skivan. Följ föreskrifterna i ditt land.

013977

OBS!

- Några av tillbehören i listan kan vara inkluderade i maskinpaketet som standardtillbehör. De kan variera mellan olika länder.

NORSK (originalinstruksjoner)

Oversiktsforklaring

1-1. Spindellås	9-3. Indre flens	16-3. Gummirondell
2-1. Skyvebryter	10-1. Låsemutternøkkel	17-1. A-merking
3-1. Indikatorlampe (turtallsinnstillingshjul)	10-2. Spindellås	17-2. B-merking
4-1. Hastighetsinnstillingshjul	11-1. Ezynut	17-3. C-merking
6-1. Beskyttelseskappe	11-2. Slipeskive	17-4. D-merking
6-2. Lagerboks	11-3. Indre flens	19-1. Låsemutter
6-3. Skrue	11-4. Spindel	19-2. Slipende kappeskive/diamantskive
7-1. Beskyttelseskappe	12-1. Spindellås	19-3. Indre flens
7-2. Lagerboks	13-1. Pil	19-4. Skivevern for slipende kappeskive/diamantskive
7-3. Skrue	13-2. Fordypning	20-1. Sirkulær stålborste
7-4. Spak	15-1. Låsemutter	21-1. Skivebørste
8-1. Skrue	15-2. Flex-skive	22-1. Luftutløp
8-2. Spak	15-3. Plastpute	22-2. Luftinntak
9-1. Låsemutter	15-4. Indre flens	
9-2. Slipeskive med forsenket nav	16-1. Låsemutter for pussing	
	16-2. Slipeskive	

TEKNISKE DATA

Modell	GA4040C	GA4041C	GA4540C	GA4541C	GA5040C	GA5041C	GA6040C
Skivediameter	100 mm (4")		115 mm (4-1/2")		125 mm (5")		150 mm (6")
Maks. Skivetykkelse	6,4 mm						
Spindelgjenge	M10		M14 eller 5/8" (varierer i henhold til land)				
Merkehastighet (n) / Hastighet uten belastning (n ₀)	11 000 min ⁻¹		11 000 min ⁻¹		11 000 min ⁻¹		9 000 min ⁻¹
Total lengde	303 mm	325 mm	303 mm	325 mm	303 mm	325 mm	303 mm
Nettvekt	2,3 kg	2,6 kg	2,5 kg	2,7 kg	2,5 kg	2,7 kg	2,6 kg
Sikkerhetsklasse	II/II						

- Som følge av vårt kontinuerlige forsknings- og utviklingsprogram kan de tekniske dataene endres uten ytterligere forvarsel.
- Tekniske data kan variere fra land til land.
- Vekt i henhold til EPTA-prosedyre 01/2003

ENE048-1

Riktig bruk

Maskinen er beregnet på sliping, pussing og kutting av metall og steinmaterialer uten bruk av vann.

ENF002-2

Strømforsyning

Maskinen må bare kobles til en strømkilde med samme spenning som vist på typeskiltet, og kan bare brukes med enfase-vekselstrømforsyning. Den er dobbelt verneisoleret og kan derfor også brukes fra kontakter uten jording.

ENG905-1

Støy

Typisk A-vektet lydtryknivå er bestemt i henhold til EN60745:

Modell GA4040C, GA4540C, GA5040C

Lydtryknivå (L_{pA}) : 86 dB (A)
Lydeffektnivå (L_{WA}) : 97 dB (A)
Usikkerhet (K): 3 dB (A)

Modell GA6040C

Lydtryknivå (L_{pA}) : 87 dB (A)
Lydeffektnivå (L_{WA}) : 98 dB (A)
Usikkerhet (K): 3 dB (A)

Modell GA4541C

Lydtryknivå (L_{pA}) : 83 dB (A)
Lydeffektnivå (L_{WA}) : 94 dB (A)
Usikkerhet (K): 3 dB (A)

Modell GA5041C

Lydtryknivå (L_{pA}) : 84 dB (A)
Lydeffektnivå (L_{WA}) : 95 dB (A)
Usikkerhet (K): 3 dB (A)

Bruk hørselvern

ENG900-1

Vibrasjon

Den totale vibrasjonsverdien (triaksial vektorsum) bestemt i henhold til EN60745:

- Den angitte verdien for de genererte vibrasjonene er blitt målt i samsvar med standardtestmetoden og kan brukes til å sammenlikne et verktøy med et annet.
- Den angitte verdien for de genererte vibrasjonene kan også brukes til en foreløpig vurdering av eksponeringen.
- Den oppgitte verdien for genererte vibrasjoner brukes for hovedbruksområdene for elektroverktøyet. Hvis verktøyet brukes til andre formål, kan verdien for de genererte vibrasjonene være en annen.

⚠ ADVARSEL:

- De genererte vibrasjonene ved faktisk bruk av elektroverktøyet kan avvike fra den oppgitte vibrasjonsverdien, avhengig av hvordan verktøyet brukes.
- Vær påpasselig med å finne sikkerhetstiltak som beskytter operatøren, basert på en oppfatning av risiko under faktiske bruksforhold (på bakgrunn av alle sider ved brukssyklusen, som når verktøyet slås av og når det går på tomgang, i tillegg til oppstarten).

ENH101-16

Gjelder bare land i Europa

EF-samsvarserklæring

Som ansvarlig produsent erklærer Makita Corporation at følgende Makita-maskin(er):

Maskinbetegnelse:

Vinkelsliper

Modellnr./type: GA4040C, GA4540C, GA5040C, GA6040C, GA4541C, GA5041C

er serieprodusert og

Samsvarer med følgende europeiske direktiver:

2006/42/EC

Op er produsert i samsvar med følgende standarder eller standardiserte dokumenter:

EN60745

Den tekniske dokumentasjonen oppbevares hos:

Makita International Europe Ltd.

Technical Department,

Michigan Drive, Tongwell,

Milton Keynes, Bucks MK15 8JD, England

30.8.2011



Tomoyasu Kato

Direktør

Makita Corporation

3-11-8, Sumiyoshi-cho,

Anjo, Aichi, 446-8502, JAPAN

000230

Generelle advarsler angående sikkerhet for elektroverktøy

⚠ **ADVARSEL** Les alle sikkerhetsadvarslene og alle instruksjonene. Hvis du ikke følger alle advarslene og instruksjonene som er oppført nedenfor, kan det føre til elektrisk støt, brann og/eller alvorlige helseskader.

Oppbevar alle advarsler og instruksjoner for senere bruk.

GEB033-7

SIKKERHETSANVISNINGER FOR VINKELSLIPER

Vanlige sikkerhetsadvarsler for sliping, pussing, stålbørsting og kapping :

1. **Dette elektriske verktøyet er beregnet for sliping, pussing, stålbørsting og kapping. Les alle sikkerhetsadvarsler, instruksjoner, illustrasjoner og spesifikasjoner som følger med dette elektriske verktøyet.** Unnlattelse av å følge alle instruksjoner i oversikten nedenfor, kan føre til elektrisk støt, brann og alvorlige skader.
2. **Polering bør ikke utføres med dette verktøyet.** Bruk av verktøyet til noe annet enn det det er beregnet for, kan medføre fare og forårsake personskade.
3. **Ikke bruk tilbehør som ikke er spesielt beregnet og anbefalt av verktøyprodusenten.** Selv om tilbehøret kan monteres på elektroverktøyet, er ikke det noen garanti for sikker bruk.
4. **Angitt hastighet for tilbehøret må være minst like høy som største angitte hastighet på elektroverktøyet.** Tilbehør som kjøres med større hastighet enn det som er angitt, kan gå i stykker og slynges ut.
5. **Den ytre diameteren og tykkelsen på tilbehøret må ligge innenfor den angitte kapasiteten for elektroverktøyet.** Tilbehør med feil dimensjoner kan ikke sikres eller kontrolleres fullgodt.
6. **Gjenget montering av tilbehør må samsvare med gjengen på sliperen. For tilbehør montert med flenser, må spindelhullet på tilbehøret passe til med diameteren på flensen.** Tilbehør som ikke passer til monteringssystemet elektroverktøyet vil kjøre ut av balanse, vibrere overdrevent og kan føre til tap av kontroll.
7. **Ikke bruk skadet tilbehør. Før bruk må du undersøke om tilbehør som slipeskiver har hakk eller sprekker, om bakrondeller har sprekker eller er slitt og om stålbørster har løse eller ødelagte tråder. Hvis det elektriske verktøyet eller tilbehøret mistes, må du undersøke om det har oppstått skade og eventuelt skifte det ut med uskadd tilbehør. Når et tilbehør er undersøkt og montert, skal du plassere deg selv**

og andre utenfor tilbehørets rotasjonsplan og kjøre verktøyet på maksimal hastighet, uten belastning, i ett minutt. Skadd tilbehør vil vanligvis gå i stykker i løpet av en slik test.

8. **Brak personlig verneutstyr. Avhengig av bruksområdet, må du bruke visir eller vernebriller. Der det er aktuelt, må du bruke støvmaske, hørselvern, hansker og arbeidsforkle som kan stoppe små slipefragmenter eller deler fra arbeidsstykket.** Øyevernet må kunne stoppe flygende biter som oppstår under ulike operasjoner. Støvmasken eller åndedrettsvernet må kunne filtrere ut partikler som oppstår under arbeidet. Lang tids eksponering for høy lyd kan gi hørselskader.
9. **Hold tilskuere på trygg avstand fra arbeidsområdet. Alle som beveger seg inn i arbeidsområdet må bruke personvernutstyr.** Fragmenter fra arbeidsstykket eller fra skadet tilbehør kan slynges ut og forårsake skade utenfor det nære arbeidsområdet.
10. **Hold maskinen kun i det isolerte håndtaket når skjåreverktrøyet kan komme i kontakt med skjulte ledninger eller maskinens egen ledning under arbeidet.** Hvis skjåretilbehøret får kontakt med strømførende ledninger, kan uisolerte metalldeleer i maskinen bli strømførende og kunne gi brukeren elektrisk støt.
11. **Plasser ledningen unna det roterende tilbehøret.** Hvis du mister kontrollen, kan ledningen kuttes av eller henge fast og hånden eller armen din kan bli trukket inn til det roterende tilbehøret.
12. **Ikke legg ned elektroverktøyet før tilbehøret har stoppet helt.** Det roterende tilbehøret kan få feste i overflaten og trekke elektroverktøyet ut av kontroll.
13. **Ikke kjør elektroverktøyet når du bærer det langs siden.** Utsikket kontakt med roterende tilbehør kan føre til at det fester i klærne og trekkes inn mot kroppen.
14. **Rengjør verktøyets luftventiler regelmessig.** Motorens vifte trekker støv inn i verktøyhuset og mye oppsamlet metallstøv kan medføre elektrisk fare.
15. **Ikke bruk elektroverktøyet nær brennbare materialer.** Gnister kan antenne slike materialer.
16. **Ikke bruk tilbehør som krever kjølevæske.** Bruk av vann eller andre kjølevæsker kan føre til elektrisk støt.

Tilbakeslag og relaterte advarsler

Tilbakeslag er en plutselig reaksjon på en klemt eller fastsittende skive, bakrondell, børste eller annet tilbehør. Fastklemming forårsaker plutselig stopp av det roterende tilbehøret, noe som i sin tur gjør at det ukontrollerbare elektroverktøyet kastes i motsatt retning av tilbehørets rotasjonsretning ved fastklemmingspunktet

Hvis for eksempel en slipeskive klemmes fast i arbeidsstykket, kan kanten på skiven som er fastklemt, grave seg inn i overflaten på materialet og føre til at skiven graver seg ut eller slås ut. Skiven kan enten

hoppe mot eller fra operatøren, avhengig av skivens bevegelse i fastklemmingspunktet. Slike forhold kan også føre til brudd i skivene.

Tilbakeslag er et resultat av feil bruk av elektroverktøyet eller feilaktige arbeidsprosedyrer eller arbeidsforhold, og det kan unngås hvis man tar de rette forholdsregler (se nedenfor).

- a) **Hold et godt grep om elektroverktøyet og plasser kroppen og armen slik at du kan motstå tilbakeslagskraften. Bruk alltid hjelpehåndtak når det følger med, for å få best mulig kontroll over tilbakeslag eller dreiemomentreaksjonen ved oppstart.** Operatøren kan kontrollere dreiemomentreaksjonen eller tilbakeslagskreftene hvis de riktige forholdsreglene tas.
- b) **Ikke plasser hånden nær det roterende tilbehøret.** Tilbehøret kan slå tilbake over hånden.
- c) **Ikke plasser kroppen i det området elektroverktøyet kan slå tilbake i.** Et tilbakeslag vil drive verktøyet tilbake i motsatt retning av skivens retning i fastklemmingspunktet.
- d) **Vær ekstra forsiktig ved arbeid i hjørner, på skarpe kanter og lignende. Unngå å støte eller klemme fast tilbehøret.** Hjørner, skarpe kanter eller støt har en tendens til å klemme fast det roterende tilbehøret og forårsake tap av kontrollen eller tilbakeslag.
- e) **Ikke monter et sagkjedeblad for treskjæring eller et tannet sagblad.** Slike blader forårsaker ofte tilbakeslag og tap av kontroll.

Spesifikke sikkerhetsadvarsler for sliping og kapping :

- a) **Bruk bare skiver som er anbefalt for elektroverktøyet.** Skiver som ikke er beregnet for verktøyet, kan ikke sikres godt nok og er utrygge.
- b) **Slipeoverflaten til skivene med forsenket nav må monteres under planet til vernet.** En feilmontert skive som stikker gjennom planet for vernet kan ikke tilstrekkelig beskyttes.
- c) **Vernet må festes godt til verktøyet og plasseres slik at det gir størst mulig sikkerhet og slik at minst mulig av skiven vender mot brukeren.** Vernet bidrar til å beskytte brukeren mot brukne skivefragmenter og utsikket kontakt med skiven og mot gnister som kan antenne klær.
- d) **Skiver må bare brukes slik det er anbefalt. For eksempel: Ikke slip med siden av en kappeskive.** Kappeskiver for pussing er bare beregnet for periferisk pussing. Sidekrefter mot disse skivene kan knuse dem.
- e) **Bruk alltid uskadde skiveflensere med riktig størrelse og form for skiven du har valgt.** Riktige skiveflensere støtter skiven og reduserer muligheten for skivebrudd. Skiveflensere for kappeskiver kan være forskjellige fra skiveflensere for slipeskiver.
- f) **Ikke bruk utslitte skiver fra større elektroverktøy.** Skiver fra større elektroverktøy passer ikke for den høyere hastigheten til mindre verktøy og kan sprekke.

Ekstra sikkerhetsadvarsler for kapping :

- a) **Ikke klems fast kappeskiven eller legg sterkt press på den. Ikke forsøk å foreta ekstra dype kutt.** Overbelastning av skiven øker belastningen og muligheten for vridding eller fastklemming av skiven i kuttet, noe som kan føre til tilbakeslag eller skivebrudd.
- b) **Ikke still deg på linje med eller bak den roterende skiven.** Når skiven beveger seg bort fra deg ved bruksstedet, kan et mulig tilbakeslag drive den roterende skiven og verktøyet rett mot deg.
- c) **Når skiven setter seg fast eller når du av en eller annen grunn vil avbryte kappingen, må du slå av verktøyet og holde det stille til skiven har stoppet helt. Du må aldri forsøke å trekke kappeskiven ut av kuttet mens skiven er i bevegelse. Det kan føre til tilbakeslag.** Undersøk hvorfor skiven sitter fast og foreta nødvendige tiltak
- d) **Start ikke kappingen på nytt mens skiven står i arbeidsstykket. La skiven få full hastighet og sett den forsiktig i kuttet.** Skiven kan sette seg fast, gå opp eller slå tilbake hvis verktøyet startes med skiven i arbeidsstykket.
- e) **Støtt opp plater og større arbeidsstykker for å redusere faren for at bladet kommer i beknip og slår tilbake.** Store arbeidsstykker har en tendens til å bøye seg under sin egen vekt. Støttene må plasseres under arbeidsstykket på begge sider, nær kuttet og kanten av arbeidsstykket.
- f) **Vær ekstra forsiktig når du foretar et innstikk i eksisterende vegger eller andre områder uten innsyn.** Den utstikkende skiven kan kutte gass- eller vannrør, elektriske ledninger eller gjenstander som kan forårsake tilbakeslag.

Spesielle sikkerhetsadvarsler for pussing:

- a) **Ikke bruk for stort pussepapir. Følg produsentens anbefalinger når du velger pussepapir.** Stort papir som stikker utenfor pusseputen, kan forårsake oppriving og føre til slitasje eller tilbakeslag på skiven.

Spesielle sikkerhetsadvarsler for stålborsting:

- a) **Vær oppmerksom på at metalltråder kan løsne fra børsten også ved vanlig bruk. Ikke overbelast metalltrådene ved å legge ekstra trykk på børsten.** Metalltrådene kan lett trenge gjennom tynne klær og hud.
- b) **Hvis det anbefales bruk av vern ved stålborsting, må du unngå kontakt mellom stålborstesken eller børsten og vernet.** Stålskiver eller børster kan utvide seg på grunn av arbeidsbelastningen og sentrifugalkraftene.

Ekstra sikkerhetsadvarsler:

17. **Når du bruker slipeskiver med forsenket nav, må du passe på bare å bruke glassfiberarmerte skiver.**
18. **BRUK ALDRI denne vinkelsliperen med slipeskiver av typen Stone Cup.** Denne vinkelsliperen er ikke konstruert for denne typen

hjul, og bruk av et slikt produkt kan resultere i alvorlige helseskader.

19. **Vær forsiktig så du ikke ødelegger spindelen, flensen (særlig monteringsflaten) eller låsemutteren. Skade på disse delene kan føre til at skiven brykker.**
20. **Forviss deg om at skiven ikke har kontakt med arbeidsstykket før startbryteren er slått på.**
21. **Før du begynner å bruke verktøyet på et arbeidsstykke, bør du la det gå en liten stund. Se etter vibrasjoner eller vingling som kan tyde på at skiven er dårlig balansert.**
22. **Bruk den angitte overflaten av skiven til å utføre slipingen.**
23. **Ikke gå fra verktøyet mens det er i gang. Verktøyet må bare brukes mens operatøren holder det i hendene.**
24. **Ikke berør arbeidsstykket umiddelbart etter bruk. Det kan være ekstremt varmt og kan gi deg brannskader.**
25. **Følg produsentens anvisninger for korrekt montering og bruk av skiver. Håndter og oppbevar skivene forsiktig.**
26. **Ikke bruk separate reduksjonsbøssinger eller adaptere for å tilpasse slipeskiver med store hull.**
27. **Bruk bare flenser som er spesifisert for denne maskinen.**
28. **For maskiner som er beregnet på å bli utstyrt med gjengehullsskive, må du forvise deg om at gjengen i hullet er lang nok til å passe til spindel lengden.**
29. **Forviss deg om at arbeidsstykket står støtt.**
30. **Ta hensyn til at skiven fortsetter å rotere etter at maskinen er slått av.**
31. **Hvis arbeidsplassen er ekstremt varm og fuktig, eller svært forurenset med elektrisk ledende støv, må du bruke en kortslutningsbryter (30 mA) for å ivareta operatørens sikkerhet.**
32. **Ikke bruk maskinen på materialer som inneholder asbest.**
33. **Når du bruker kappeskiven, må du alltid bruke beskyttelseskappen med støvoppsamler, slik lokale bestemmelser krever.**
34. **Kappeskiver må ikke utsettes for trykk fra siden.**

TA VARE PÅ DISSE INSTRUKSENE.

⚠ADVARSEL:

Selv om du har brukt produktet mye og føler deg fortrolig med det, er det likevel svært viktig at du følger nøye de retningslinjene for sikkerhet som er utarbeidet for dette produktet. MISBRUK av verktøyet eller mislighold av sikkerhetsreglene i denne brukerhåndboken kan resultere i alvorlige helseskader.

FUNKSJONSBEKRIVELSE

⚠FORSIKTIG:

- Forviss deg alltid om at maskinen er slått av og støpselet trukket ut av kontakten før du justerer maskinen eller kontrollerer dens mekaniske funksjoner.

Spindellås

Fig.1

⚠FORSIKTIG:

- Du må aldri aktivere spindellåsen mens spindelen beveger seg. Maskinen kan bli ødelagt.

Trykk på spindellåsen for å forhindre spindelrotasjon når du monterer eller fjerner tilbehør.

Bryterfunksjon

Fig.2

⚠FORSIKTIG:

- Før du forbinder verktøyet med stikkkontakten, må alltid kontrollere at skyvebryteren aktiverer som den skal og returnerer til AV-stilling (OFF) når baksiden av skyvebryteren trykkes.
- Bryteren kan sperres i "ON"-stilling for å gjøre det lettere for operatøren ved langvarig bruk. Vær forsiktig når du sperrer verktøyet i "ON"-stilling, og hold det godt fast.

Start verktøyet ved å skyve bakkdelen av glidebryteren mot posisjonen "I (på)". For kontinuerlig drift må du trykke på fremre del av glidebryteren for å låse denne. Stopp verktøyet ved å trykke på bakre del av skyvebryteren, og skyv den deretter mot posisjonen "O (AV)".

Indikatorlampe

Fig.3

Lampen lyser grønt når verktøyet er koblet til. Hvis indikatorlampen ikke tennes, kan det være feil på strømledningen eller kontrolleren. Hvis indikatorlampen tennes, men maskinen ikke starter, selv om den er slått på, kan kullbørstene være slitt, eller det kan være en defekt i kontrolleren, motoren eller på/av-bryteren.

Sikker mot utilsiktet omstart

Når bryteren er låst starter ikke verktøyet selv om det er koblet til.

Nå blinker indikasjonslampen rødt, og viser at sikkerhetsanordningen for utilsiktet start av verktøyet er aktivt.

For å avbryte denne sikkerhetsanordningen skyver du glidebryteren til posisjonen "O(AV)".

Turtallsinnstillingshjul

Fig.4

Du kan endre rotasjonshastigheten ved å dreie på innstillingshjulet for turtallet til en gitt tallinnstilling fra 1 til 5.

Hastigheten øker når hjulet dreies i retning av nummer 5, og hastigheten reduseres når det dreies i retning av nummer 1.

Se også nedenstående tabell når det gjelder forholdet mellom tallinnstillingen på hjulet og den omtrentlige rotasjonshastigheten.

For modell GA4040C, GA4540C, GA5040C, GA4041C, GA4541C, GA5041C

Nummer	min ⁻¹ (R.P.M.)
1	2 800
2	4 000
3	6 000
4	8 000
5	11 000

012752

For modell GA6040C

Nummer	min ⁻¹ (R.P.M.)
1	4 000
2	5 000
3	6 000
4	7 000
5	9 000

012756

⚠FORSIKTIG:

- Hvis verktøyet brukes lenge og kontinuerlig ved lavt turtall, vil motoren bli overbelastet og for varm.
- Turtallsinnstillingshjulet kan kun dreies til 5 og så tilbake til 1. Ikke prøv å dreie det forbi 5 eller 1, ellers kan det hende at turtallsinnstillingen slutter å virke.

Elektronisk funksjon

Verktøy som er utstyrt med elektroniske funksjoner er enkle å bruke på grunn av følgende egenskaper.

Konstant turtallskontroll

Kontroll av konstant hastighet sørger for en pen overflate ved å holde rotasjonshastigheten konstant under belastningen.

Mykstartfunksjon

Funksjonen for myk start hindrer rykkbevegelse ved start.

Overlastvern

Når belastningen på verktøyet overstiger tillatte nivåer, reduseres pådraget på motoren for å unngå overoppheting. Når belastningen er nede på tillatte nivåer igjen, vil verktøyet fungere som vanlig.

Mekanisk bremse

For modell GA4041C, GA4541C, GA5041C

Den mekaniske bremsen aktiveres når verktøyet slås av. Bremsen fungerer ikke dersom strømtilførselen kobles ut med bryteren på.

MONTERING

⚠FORSIKTIG:

- Forviss deg alltid om at maskinen er slått av og støpselet trukket ut av kontakten før du utfører noe arbeid på maskinen.

Montere støttehåndtak (hjelpéhåndtak)

Fig.5

⚠FORSIKTIG:

- Forviss deg alltid om at støttehåndtaket er skikkelig montert før du tar maskinen i bruk.

Skrú støttehåndtaket godt fast på maskinen i den stillingen som er vist på figuren.

Montere eller demontere beskyttelseskappen (for skive med forsenket nav, klaffskive, flex-skive, skivebørste/kappeskive, diamantskive)

⚠ADVARSEL:

- Ved bruk av slipeskive med forsenket nav / klaffskive, flex-skive eller stålborste, må skivebeskyttelsen settes på verktøyet slik at den lukkede siden av kappen vender mot operatøren.
- Ved bruk av slipende kappeskive/diamantskive må du passe på å bruke bare det spesielle skivevernet som er beregnet på bruk med kappeskiver. (I enkelte europeiske land kan det vanlige vernet brukes ved bruk av diamantskive. Følg lokale forskrifter.)

For verktøy med låseskrue med beskyttelseskappe

Fig.6

Monter skivebeskyttelsen slik at fremspringet på skivebeskyttelsesbåndet er innrettet med hakket i lagerboksen. Drei deretter skivebeskyttelsen 180 ° mot klokken. Forviss deg om at du har trukket skruen godt til. Fjern beskyttelseskappen ved å følge installeringsfremgangsmåten i motsatt rekkefølge.

For verktøy med klemmespak med beskyttelseskappe

Fig.7

Trekk spaken verktøyet i pilens retning når skruen er løsnet. Monter skivebeskyttelsen slik at fremspringet på skivebeskyttelsesbåndet er innrettet med hakket i lagerboksen. Drei deretter skivebeskyttelsen 180 °.

Fig.8

Stram skivebeskyttelsen ved å stramme skruen etter at du har trukket spaken i pilens retning. Innstillingsvinkelen på skivebeskyttelsen kan justeres med spaken.

Fjern beskyttelseskappen ved å følge installeringsfremgangsmåten i motsatt rekkefølge.

Montere eller fjerne skive med nedsenket nav eller klaffskive (valgfritt tilbehør)

⚠ADVARSEL:

- Ved bruk av slipeskive med forsenket nav / klaffskive, må skivebeskyttelsen settes på verktøyet slik at den lukkede siden av kappen vender mot operatøren.

Fig.9

Monter den indre flensen på spindelen. Sett skiven/disken på den indre flensen og skrú låsemutteren på spindelen.

Fig.10

Stram låsemutteren ved å trykke så kraftig på spindellåsen at spindelen ikke kan rotere, og bruk låsemutternøkkelen til å stramme mutteren godt med klokken.

Fjern skiven ved å følge installeringsfremgangsmåten i motsatt rekkefølge.

Superflens (valgfritt tilbehør)

Modeller med bokstaven F er som standard utstyrt med superflens. Det er bare nødvendig med 1/3 kraft for å løsne låsemutteren sammenlignet med den konvensjonelle typen.

⚠FORSIKTIG:

- Ikke bruk superflens på modeller med mekanisk bremse. Ellers kan den løsne når bremsen aktiveres.

Montere eller fjerne Ezynut (valgfritt tilbehør)

⚠FORSIKTIG:

- Ikke bruk Ezynut med superflens eller vinkelsliper med "F" til slutt i modellnummeret. Disse flensene er så tykke at spindelen ikke kan holde hele det gjengede området.

Fig.11

Mount inner flange, abrasive wheel and Ezynut onto the spindle so that Makita Logo on Ezynut faces outside.

Fig.12

Press aksellåsen godt på og stram Ezynut ved å dreie slipeskiven/ så langt som mulig med klokken.

Drei den utvendige ringen på Ezynut moturs for å løsne.

Fig.13

Fig.14

MERK:

- Du kan løsne Ezynut for hånd så lenge pilen peker mot innsnittet. Ellers må du bruke en låsemutternøkkel for å løsne den. Sett én stift på nøkkelen i et hull og drei Ezynut moturs.

Montere eller fjerne flex-skiven (valgfrøitt tilbehør)

⚠ADVARSEL:

- Når du bruker flex-skiven må du alltid bruke medfølgende beskyttelse. Skiven kan splintres under bruk. Beskyttelseskappen bidrar til å hindre personskader.

Fig.15

Følg instruksjonene for skive med nedsenket nav, men bruk også plastrondellen over skiven. Se monteringsrekkefølge på tilbehørssiden i denne håndboken.

Montere eller fjerne slipeskive (valgfrøitt tilbehør)

MERK:

- Bruk slipetilbehør spesifisert i denne håndboken. Disse må kjøpes separat.

Fig.16

Monter gummirondehlen på spindelen. Sett skiven på gummirondehlen og skru låsemutteren for sliping på spindelen. Stram låsemutteren for sliping ved å trykke så kraftig på spindellåsen at spindelen ikke kan rotere, og bruk låsemutternøkkelen til å stramme mutteren godt i klokke retning.

Fjern skiven ved å følge installeringsfremgangsmåten i motsatt rekkefølge.

Montere eller demontere støvdekseltillegg (valgfrøitt tilbehør)

⚠ADVARSEL:

- **Kontroller alltid av verktøyet er avslått og koblet fra strøm før du monterer eller fjerner støvavsugtilbehøret.** Hvis du ikke gjør dette kan det føre til skader på verktøyet eller personskader.

Det er fire typer støvavsugtilbehør, og alle brukes i ulike posisjoner.

Fig.17

Fest støvavsugtilbehøret slik at markeringene (A, B, C eller D) er plassert som vist. Klem pinnene på plass i ventilasjonsåpningene.

Støvdekseltillegget kan demonteres for hånd.

MERK:

- Rengjør støvdekseltillegget når det er tett på grunn av støv eller fremmedlegemer. Fortsatt bruk med tett støvdekseltillegg vil skade verktøyet.

BRUK

⚠ADVARSEL:

- Det burde aldri være nødvendig å bruke makt på maskinen. Vekten av maskinen utøver passende trykk. Maktbruk og for stort trykk kan føre til farlig brudd i skiven.
- Skiven må ALLTID skiftes hvis maskinen mistes under sliping.
- ALDRI dunk eller slå slipeskiven mot arbeidsstykket.
- Unngå at skiven hopper eller setter seg fast, særlig ved sliping av hjørner, skarpe kanter osv. Dette kan føre til at du mister kontrollen, og at maskinen slår tilbake mot deg.
- Maskinen må ALDRI brukes med skjæreblader for tre eller andre sagblader. Hvis slike blader brukes på en slipemaskin, kan de ofte føre til slag fra maskinen, slik at operatøren mister kontrollen og blir skadet.

⚠FORSIKTIG:

- Maskinen må aldri slås på mens den er i berøring med arbeidsstykket, da dette kan skade operatøren.
- Bruk alltid vernebriller eller ansiktsmaske ved arbeid med maskinen.
- Når du er ferdig å bruke maskinen må du alltid slå den av og vente til skiven har stoppet helt før du setter maskinen ned.

Sliping og pussing

Fig.18

Maskinen må ALLTID holdes i et fast grep med en hånd på huset og den andre på støttehåndtaket. Slå verktøyet på, og sett deretter skiven på arbeidsstykket.

Som regel skal kanten på skiven ha en vinkel på 15 ° mot arbeidsstykkets overflate.

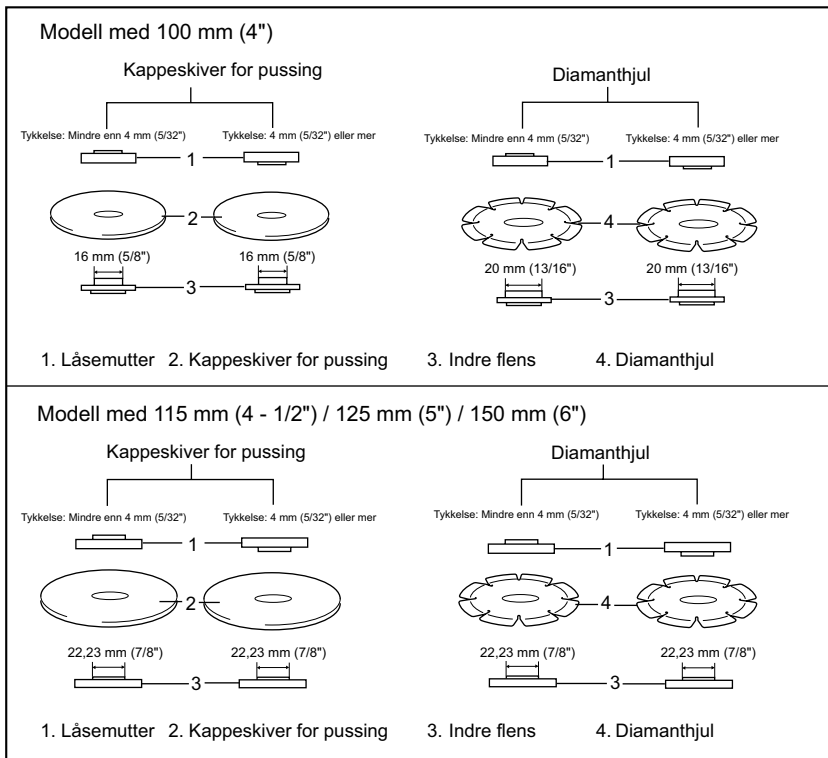
Når du først begynner å bruke en ny skive må du ikke bruke slipemaskinen i retningen B, ellers kan den skjære seg inn i arbeidsoverflaten. Så snart kanten av skiven er avrundet etter å være brukt litt, kan den brukes i både A- og B-retningen.

Bruke kappeskive/diamantskive (valgfritt tilbehør)

Fig.19

Monteringsretningen for låsemutteren og den indre flensen varierer med tykkelsen på skiven.

Se tabellen nedenfor.



012746

⚠ ADVARSEL:

- Ved bruk av slipende kappeskive/diamantskive må du passe på å bruke bare det spesielle skivevernet som er beregnet på bruk med kappeskiver. (I enkelte europeiske land kan det vanlige vernet brukes ved bruk av diamantskive. Følg lokale forskrifter.)
- IKKE bruk kappeskiver til sideveis sliping.
- Ikke klem fast skiven eller legg sterk press på den. Ikke foreta ekstra dype kutt. For mye press på skiven øker belastningen og muligheten for vridning eller fastklemming av skiven i kuttet, noe som kan føre til tilbakeslag, skivebrudd og overoppheting av motoren.

- Ikke start kappingen på nytt mens skiven står i arbeidsstykket. La skiven få full hastighet og sett den forsiktig i kuttet samtidig som du beveger verktøyet fremover over overflaten av arbeidsstykket. Skiven kan sette seg fast, vandre opp eller slå tilbake hvis verktøyet startes med skiven i arbeidsstykket.
- Ikke endre vinkel på skiven under bruk. Legger du sideveis press på kappeskiven (som ved pussing), kan det føre til at skiven sprekker og brytes i stykker, noe som kan føre til alvorlig personskade.
- En diamantskive skal brukes vinkelrett på materialet som kuttes.

Bruke sirkulær stålborste (valgfritt tilbehør)

⚠FORSIKTIG:

- Kontroller driften av børsten ved å kjøre verktøyet uten belastning, og forsikre deg om at ingen er foran eller ved siden av børsten.
- Ikke bruk en børste som er skadet, eller som ikke er balansert. Hvis du bruker en skadet børste, kan dette øke faren for personskade ved kontakt med ødelagte børstråder.

Fig.20

Plugg fra verktøyet og legg det opp-ned, slik at du får enkel tilgang til spindelen. Fjern eventuelt tilleggsutstyr fra spindelen. Monter den sirkulære stålborsten på spindelen og trekk til med den medfølgende nøkkelen. Når du bruker børsten, må du unngå å bruke for mye trykk, som fører til at trådene bøyes for mye, og børsten får redusert levetid.

Bruke skivebørste (valgfritt tilbehør)

⚠FORSIKTIG:

- Kontroller driften av skivebørsten ved å kjøre verktøyet uten belastning, og forsikre deg om at ingen er foran eller ved siden av skivebørsten.
- Ikke bruk en skivebørste som er skadet, eller som ikke er balansert. Hvis du bruker en skadet skivebørste, kan dette øke faren for personskade ved kontakt med ødelagte børstråder.
- Bruk ALLTID beskyttelseskappen med skivebørster, og pass på at skivens diameter passer inne i beskyttelseskappen. Skiven kan splintres under bruk. Beskyttelseskappen bidrar til å hindre personskader.

Fig.21

Plugg fra verktøyet og legg det opp-ned slik at du får enkelt tilgang til spindelen. Demonter alt tilbehør fra spindelen. Skru skivebørsten på spindelen og stram med nøklene.

Når du bruker skivebørsten, må du unngå å må du unngå å bruke for mye trykk, som fører til at trådene bøyes for mye, og børsten får redusert levetid.

VEDLIKEHOLD

⚠FORSIKTIG:

- Forviss deg alltid om at maskinen er slått av og støpselet trukket ut av kontakten før du foretar inspeksjon eller vedlikehold.
- Aldri bruk gasolin, bensin, tynner alkohol eller lignende. Det kan føre til misfarging, deformering eller sprekkdannelse.

Fig.22

Maskinen og dens lufteråpninger må holdes rene. Rengjør maskinens lufteråpninger med jevne mellomrom eller når åpningene begynner å tettes.

For å opprettholde produktets SIKKERHET og PÅLITELIGHET, må reparasjoner, inspeksjon og skifte av kullbørstene, vedlikehold og justeringer utføres av Makitas autoriserte servicesentre, og det må alltid brukes reservedeler fra Makita.

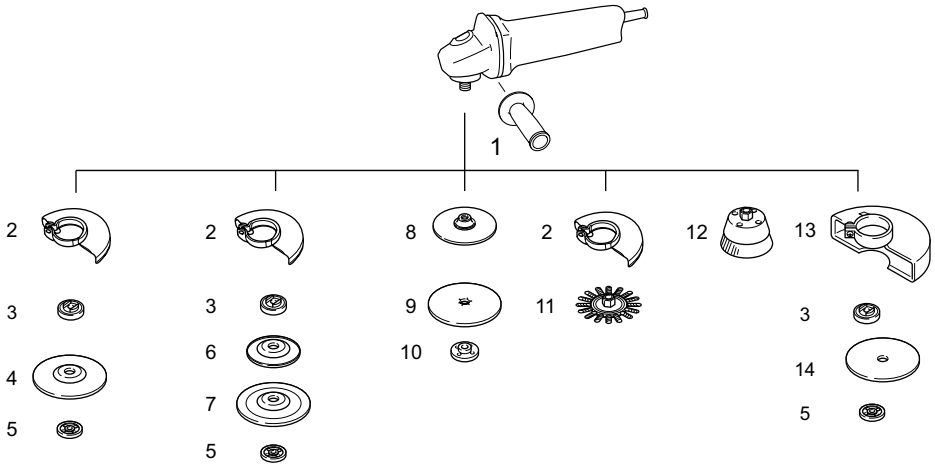
VALGFRITT TILBEHØR

⚠FORSIKTIG:

- Det anbefales at du bruker dette tilbehøret eller verktøyet sammen med den Makita-maskinen som er spesifisert i denne håndboken. Bruk av annet tilbehør eller verktøy kan forårsake helseskader. Tilbehør og verktøy må kun brukes til det formålet det er beregnet på.

Ta kontakt med ditt lokale Makita-servicesenter hvis du trenger mer informasjon om dette tilbehøret.

- Feste for støvhet



	Modell med 100 mm (4")	Modell med 115 mm (4-1/2")	Modell med 125 mm (5")	Modell med 150 mm (6")
1	Håndtak 36			
2	Skivebeskyttelse (for slipeskive)			
3	Indre flens	Indre flens Superflens *1	Indre flens Superflens *1	Indre flens Superflens *1
4	Skive med nedsenket nav / klaffskive			
5	Låsemutter	Låsemutter Ezynut *2	Låsemutter Ezynut *2	Låsemutter Ezynut *2
6	Plastpute	Plastpute	Plastpute	-
7	Flex-skive	Flex-skive	Flex-skive	-
8	Gummirondell 76	Gummirondell 100	Gummirondell 115	Gummirondell 125
9	Slipeskive			
10	Låsemutter for pussing			
11	Skivebørste			
12	Sirkulær stålborste			
13	Skivebeskyttelse (for kappeskive) *3			
14	Slipende kappeskive/diamantskive			
-	Låsemutternøkkel			

Merk:

*1 Ikke bruk superflens med en sliper som er utstyrt med bremsefunksjon.

*2 Ikke bruk superflens og Ezynut sammen.

*3 I enkelte europeiske land kan du, ved bruk av diamantskive, bruke det vanlige vernet i stedet for spesialvernet som dekker begge sider av skiven. Følg lokale forskrifter.

013977

MERK:

- Enkelte elementer i listen kan være inkludert som standardtilbehør i verktøypakken. Elementene kan variere fra land til land.

SUOMI (alkuperäiset ohjeet)

Yleisselostus

1-1. Karalukitus	9-3. Sisälaippa	16-2. Hiomalaikka
2-1. Liukukytin	10-1. Lukkomutteriavain	16-3. Kumityyny
3-1. Merkkivalo (nopeudensäädin)	10-2. Karalukitus	17-1. Merkki A
4-1. Nopeudensäätöpyörä	11-1. Ezynut	17-2. Merkki B
6-1. Laikan suojus	11-2. Hiomalaikka	17-3. Merkki C
6-2. Vaihekotelo	11-3. Sisälaippa	17-4. Merkki D
6-3. Ruuvi	11-4. Kara	19-1. Lukkomutteri
7-1. Laikan suojus	12-1. Karalukitus	19-2. Hiova katkaisulaikka/timanttilaikka
7-2. Vaihekotelo	13-1. Nuoli	19-3. Sisälaippa
7-3. Ruuvi	13-2. Lovi	19-4. Hiovan katkaisulaikan/ timanttilaikan suojus
7-4. Vipu	15-1. Lukkomutteri	20-1. Teräskuppiharja
8-1. Ruuvi	15-2. Joustava laikka	21-1. Teräsharjalaikka
8-2. Vipu	15-3. Muovityyny	22-1. Poistoaukko
9-1. Lukkomutteri	15-4. Sisälaippa	22-2. Ilman tuloaukko
9-2. Keskeltä ohennettu laikka	16-1. Lukkomutteri hiontaan	

TEKNISET TIEDOT

Malli	GA4040C	GA4041C	GA4540C	GA4541C	GA5040C	GA5041C	GA6040C
Laikan halkaisija	100 mm (4")		115 mm (4-1/2")		125 mm (5")		150 mm (6")
Laikan enimmäispaksuus	6,4 mm						
Karan kierre	M10		M14 tai 5/8" (maakohtainen)				
Nimellisa nopeus (n) / nopeus kuormittamattomana (n ₀)	11 000 min ⁻¹		11 000 min ⁻¹		11 000 min ⁻¹		9 000 min ⁻¹
Kokonaispituus	303 mm	325 mm	303 mm	325 mm	303 mm	325 mm	303 mm
Nettopaino	2,3 kg	2,6 kg	2,5 kg	2,7 kg	2,5 kg	2,7 kg	2,6 kg
Turvaluokitus	II/II						

• Jatkuvan tutkimus- ja kehitysohjelman vuoksi pidätämme oikeuden muuttaa tässä mainittuja teknisiä ominaisuuksia ilman ennakkoilmoitusta.

- Tekniset ominaisuudet saattavat vaihdella eri maissa.
- Paino EPTA-menetelmän 01/2003 mukaan

ENE048-1

Käyttötarkoitus

Työkalu on tarkoitettu metallin ja kiven hiomiseen ja leikkaamiseen ilman vettä.

ENF002-2

Virtalähde

Laitteen saa kytkeä vain sellaiseen virtalähteeseen, jonka jännite on sama kuin arvokilvessä ilmoitettu, ja sitä saa käyttää ainoastaan yksivaiheisella vaihtovirralla. Laitte on kaksinkertaisesti suojaeristetty, ja se voidaan siten kytkeä myös maadoittamattomaan pistorasiaan.

ENG905-1

Melutaso

Tyypillinen A-painotettu melutaso määräytyy EN60745-standardin mukaan:

Malli GA4040C, GA4540C, GA5040C

Äänenpainetaso (L_{pA}): 86 dB (A)
Äänen tehotaso (L_{WA}): 97 dB (A)
Virhemarginaali (K): 3 dB (A)

Malli GA6040C

Äänenpainetaso (L_{pA}): 87 dB (A)
Äänen tehotaso (L_{WA}): 98 dB (A)
Virhemarginaali (K): 3 dB (A)

Malli GA4541C

Äänenpainetaso (L_{pA}): 83 dB (A)
Äänen tehotaso (L_{WA}): 94 dB (A)
Virhemarginaali (K): 3 dB (A)

Malli GA5041C

Äänenpainetaso (L_{pA}): 84 dB (A)
Äänen tehotaso (L_{WA}): 95 dB (A)
Virhemarginaali (K): 3 dB (A)

Käytä kuulosuojaimia

Tärinä

Värähtelyn kokonaisarvo (kolmiakselivektorin summa) on määritelty EN60745mukaan:

Malli GA4040C

Työtila : pintahionta tavallista sivukahvaa käyttäen
Tärinän päästö ($a_{h,AG}$): 5,0 m/s²
Epävakaas (K) : 1,5 m/s²

Työtila : pintahionta tärinävarmennettua sivukahvaa käyttäen
Tärinän päästö ($a_{h,AG}$): 5,0 m/s²
Epävakaas (K) : 1,5 m/s²

Työmenetelmä: laikkahionta normaalia sivukahvaa käyttäen
Tärinäpäästö ($a_{h,DS}$): 3,0 m/s²
Epävakaas (K) : 1,5 m/s²

Työmenetelmä: laikkahionta tärinävaimennettua sivukahvaa käyttäen
Tärinäpäästö ($a_{h,DS}$): 2,5 m/s² tai vähemmän
Virhemarginaali (K) : 1,5 m/s²

Malli GA4540C

Työtila : pintahionta tavallista sivukahvaa käyttäen
Tärinän päästö ($a_{h,AG}$): 6,0 m/s²
Epävakaas (K) : 1,5 m/s²

Työtila : pintahionta tärinävarmennettua sivukahvaa käyttäen
Tärinän päästö ($a_{h,AG}$): 5,5 m/s²
Epävakaas (K) : 1,5 m/s²

Työmenetelmä: laikkahionta normaalia sivukahvaa käyttäen
Tärinäpäästö ($a_{h,DS}$): 2,5 m/s²
Epävakaas (K) : 1,5 m/s²

Työmenetelmä: laikkahionta tärinävaimennettua sivukahvaa käyttäen
Tärinäpäästö ($a_{h,DS}$): 2,5 m/s²
Epävakaas (K) : 1,5 m/s²

Malli GA5040C

Työtila : pintahionta tavallista sivukahvaa käyttäen
Tärinän päästö ($a_{h,AG}$): 6,5 m/s²
Epävakaas (K) : 1,5 m/s²

Työtila : pintahionta tärinävarmennettua sivukahvaa käyttäen
Tärinän päästö ($a_{h,AG}$): 5,5 m/s²
Epävakaas (K) : 1,5 m/s²

Työmenetelmä: laikkahionta normaalia sivukahvaa käyttäen
Tärinäpäästö ($a_{h,DS}$): 2,5 m/s²
Epävakaas (K) : 1,5 m/s²

Työmenetelmä: laikkahionta tärinävaimennettua sivukahvaa käyttäen
Tärinäpäästö ($a_{h,DS}$): 2,5 m/s²
Epävakaas (K) : 1,5 m/s²

Malli GA6040C

Työtila : pintahionta tavallista sivukahvaa käyttäen
Tärinän päästö ($a_{h,AG}$): 6,5 m/s²
Epävakaas (K) : 1,5 m/s²

Työtila : pintahionta tärinävarmennettua sivukahvaa käyttäen
Tärinän päästö ($a_{h,AG}$): 6,0 m/s²
Epävakaas (K) : 1,5 m/s²

Työmenetelmä: laikkahionta normaalia sivukahvaa käyttäen
Tärinäpäästö ($a_{h,DS}$): 2,5 m/s²
Epävakaas (K) : 1,5 m/s²

Työmenetelmä: laikkahionta tärinävaimennettua sivukahvaa käyttäen
Tärinäpäästö ($a_{h,DS}$): 2,5 m/s² tai vähemmän
Virhemarginaali (K) : 1,5 m/s²

Malli GA4541C

Työtila : pintahionta tavallista sivukahvaa käyttäen
Tärinän päästö ($a_{h,AG}$): 6,5 m/s²
Epävakaas (K) : 1,5 m/s²

Työtila : pintahionta tärinävarmennettua sivukahvaa käyttäen
Tärinän päästö ($a_{h,AG}$): 5,5 m/s²
Epävakaas (K) : 1,5 m/s²

Työmenetelmä: laikkahionta normaalia sivukahvaa käyttäen
Tärinäpäästö ($a_{h,DS}$): 2,5 m/s² tai vähemmän
Virhemarginaali (K) : 1,5 m/s²

Työmenetelmä: laikkahionta tärinävaimennettua sivukahvaa käyttäen
Tärinäpäästö ($a_{h,DS}$): 2,5 m/s² tai vähemmän
Virhemarginaali (K) : 1,5 m/s²

Malli GA5041C

Työtila : pintahionta tavallista sivukahvaa käyttäen
Tärinän päästö ($a_{h,AG}$): 7,0 m/s²
Epävakaas (K) : 1,5 m/s²

Työtila : pintahionta tärinävarmennettua sivukahvaa käyttäen
Tärinän päästö ($a_{h,AG}$): 6,0 m/s²
Epävakaas (K) : 1,5 m/s²

Työmenetelmä: laikkahionta normaalia sivukahvaa käyttäen
Tärinäpäästö ($a_{h,DS}$): 2,5 m/s² tai vähemmän
Virhemarginaali (K) : 1,5 m/s²

Työmenetelmä: laikkahionta tärinävaimennettua sivukahvaa käyttäen
 Tärinäpäästö ($a_{h,DS}$): 2,5 m/s² tai vähemmän
 Virhemarginaali (K) : 1,5 m/s²

ENG902-1

- Ilmoitettu tärinäpäästöarvo on mitattu standarditestausmenetelmän mukaisesti, ja sen avulla voidaan vertailla työkaluja keskenään.
- Ilmoitettua tärinäpäästöarvoa voidaan käyttää myös altistumisen alustavaan arviointiin.
- Ilmoitettu tärinäpäästöarvo koskee tämän työkalun pääasiallisia käyttötarkoituksia. Tärinäpäästöarvo voi kuitenkin muuttua, jos työkalua käytetään muihin tarkoituksiin.

⚠VAROITUS:

- Työkalun käytön aikana mitattu todellinen tärinäpäästöarvo voi poiketa ilmoitetusta tärinäpäästöarvosta työkalun käyttötavan mukaan.
- Selvitä käyttäjän suojaamiseksi tarvittavat varoitimet todellisissa käyttöolosuhteissa tapahtuvan arvioidun altistumisen mukaisesti (ottaen huomioon käyttöjaksoko- kokonaisuudessaan, myös jaksot, joiden aikana työkalu on sammutettuna tai käy tyhjäkäynnillä).

ENH101-16

Koskee vain Euroopan maita

VAKUUTUS EC-VASTAAVUUDESTA

Vastuullinen valmistaja Makita Corporation ilmoittaa vastaavansa siitä, että seuraava(t) Makitan valmistama(t) kone(et):

Koneen tunnistetiedot:

Kulmahiomakone

Mallinro/Tyyppi: GA4040C, GA4540C, GA5040C, GA6040C, GA4541C, GA5041C

ovat sarjavalmistettuja ja

Täyttävät seuraavien eurooppalaisten direktiivien vaatimukset:

2006/42/EC

Ja että ne on valmistettu seuraavien standardien tai standardoitujen asiakirjojen mukaisesti:

EN60745

Teknisen dokumentaation ylläpidosta vastaa:

Makita International Europe Ltd.

Technical Department,

Michigan Drive, Tongwell,

Milton Keynes, Bucks MK15 8JD, England

30.8.2011



000230

Tomoyasu Kato

Johtaja

Makita Corporation

3-11-8, Sumiyoshi-cho,

Anjo, Aichi, 446-8502, JAPAN

Sähkötyökalujen käyttöä koskevat varoitukset

⚠ **VAROITUS** Lue kaikki turvallisuusvaroitukset ja käyttöohjeet. Varoitusten ja ohjeiden noudattamatta jättäminen voi johtaa sähköiskuun, tulipaloon ja/tai vakavaan vammautumiseen.

Säilytä varoitukset ja ohjeet tulevaa käyttöä varten.

GEB033-7

HIOMAKONEEN TURVALLISUUSOHJEET

Hiontaa, hiekkapaperihiontaa, harjausta ja katkaisua koskevat yleiset varoitukset:

1. Tätä sähkötyökalua voidaan käyttää hiomakoneena, hiekkapaperihiomakoneena, teräsharjana ja katkaisulaitteena. Tutustu kaikkiin työkalun mukana toimitettuihin varoituksiin, ohjeisiin, kuviin ja teknisiin tietoihin. Jos ohjeiden noudattaminen laiminlyödään, seurauksena voi olla sähköisku, tulipalo ja/tai vakava vammautuminen.
2. Älä käytä työkalua kiillottamiseen. Jos työkalua käytetään muuhun kuin aiotuun tarkoitukseen, seurauksena voi olla vaaratilanteita ja vammautumisriski.
3. Älä käytä sellaisia lisävarusteita, jotka eivät ole nimenomaan valmistajan suunnittelemat tai suosittelemat. Vain, koska lisävaruste voidaan liittää tehokoneeseen, se ei varmista turvallista toimintaa.
4. Lisävarusteen määrätyn nopeuden täytyy olla ainakin samanvertainen tehokoneessa osoitetun enimmäisnopeuden kanssa. Sellaiset lisävarusteet, jotka menevät nopeammin, kuin määrätty nopeus, voivat rikkoutua ja lentää palasiksi.
5. Lisävarusteesi ulkohalkaisijan ja paksuuden on oltava tehokoneesi kapasiteettimittauksen kantaman sisällä. Väärin mitoitettuja lisävarusteita ei voida sopivasti vartioita tai ohjata.
6. Lisävarusteiden kiertetityn asennuskiinnityksen on vastattava hiomakoneen karan kiertettä. Laippa-asennettavien lisävarusteiden asennusreian on vastattava kohdistuslaipan halkaisijaa. Jos lisävaruste ei sovi sähkötyökalun asennusvarustukseen, sähkötyökalu ei ole tasapainossa. Se voi tärinästä voimakkaasti, mikä voi aiheuttaa työkalun hallinnan menetyksen.
7. Älä käytä viallisia lisävarusteita. Ennen jokaista käyttökertaa tarkista, että hiomalaikassa ei ole lohkeamia tai halkeamia, tynnyissä ei ole halkeamia tai merkkejä liiallisesta kulumisesta ja että teräsharjan harjakset eivät ole irti tai halkeilleet. Jos työkalu tai lisävaruste pääsee putoamaan, tarkista sen kunto tai vaihda

varuste ehjään. Lisävarusteen tarkastuksen ja asennuksen jälkeen asetu niin, että sinä eivätkä mahdolliset sivulliset ole pyörivän lisävarusteen tasossa ja käytä laitetta suurimmalla sallitulla joutokäyntinopeudella yhden minuutin ajan. Viallinen lisävaruste yleensä hajoaa tässä kokeessa.

8. **Käytä suojavarusteita. Käytä käyttötarkoituksen mukaisesti kasv suojusta, suojalaseja tai sivusuojilla varustettuja laseja. Käytä tarvittaessa hengityssuojainta, kuulosuojaimia, hansikkaita ja työessua, joka suojaa pieniltä pirstaleilta.** Suojalasien täytyy suojata kaikenlaisista töistä aiheutuvilta lentäviltä pirstaleilta. Hengityssuojaimen täytyy suodattaa työskentelyn tuottamat hiukkaset. Pitkäaikainen altistuminen voimakkaalle melulle voi vahingoittaa kuuloa.
9. **Pidä sivustakatsojat turvalliseen välimatkan päässä työalueelta. Kaikkien työalueelle astuvien henkilöiden on käytettävä henkilökohtaista suojavarustetta.** Työkappaleen tai rikkoutuneen lisävarusteen pirstaleet voivat aiheuttaa vammautumisen välittömästi toiminta-alueen ulkopuolella.
10. **Jos on mahdollista, että työkalun terä osuu pilossa oleviin johtoihin tai koneen omaan virtajohtoon, pidä leikatessasi kiinni työkalusta sen eristetyistä tartuntapinnoista.** Jos laikka osuu virralliseen johtoon, työkalun sähköä johtavat metalliosat voivat aiheuttaa käyttäjälle sähköiskun.
11. **Aseta johto varmaan paikkaan pyörivästä lisävarusteesta.** Jos menetät hallintakykyä, johto voi katketa tai repeytyä ja kätesi voi joutua pyörivään lisävarusteeseen.
12. **Älä koskaan laita tehokoneita alas, ennen kuin lisävaruste on täysin pysähtynyt.** Pyörivä lisävaruste voi tartata pintaan ja vetää tehokoneen ohjaus käsistäsi.
13. **Älä anna tehokoneen mennä sillä väliin, kun kannat sitä sivullasi.** Vahingossa aiheutuva lisävarusteen pyöriminen voi repiä vaatteesi, vetäen lisävarusteen kehoosi.
14. **Puhdista työkalun ilma-aukot säännöllisesti.** Moottorin tuuletin imee pölyä koteloon, ja metallijauheen kerääntyminen laitteeseen voi aiheuttaa sähköiskuvaaran.
15. **Älä käytä tehokoneita tulenarkojen materiaalien lähellä.** Kipinät voivat sytyttää nämä materiaalit.
16. **Älä käytä sellaisia lisävarusteita, jotka vaativat jäähdytysnesteitä.** Jos käytät vettä tai muuta jäähdytysnestettä, se voi aiheuttaa sähkötapaturman tai -iskun.

Takapotku ja siihen liittyvät varoitukset

Takapotku on kiinni juuttuneen laikan, tyynyn, harjan tai muun lisävarusteen aiheuttama äkillinen sysäys. Kiinni juuttuminen tai takertelu aiheuttaa sen, että pyörivä lisävaruste pysähtyy, mikä puolestaan alkaa työntää

laitetta hallitsemattomasi pyörimisliikkeelle vastakkaiseen suuntaan. .

Jos esimerkiksi hiomalaiikka juuttuu työkappaleeseen, juuttumiskohtaan pureutumassa oleva laikka voi tunkeutua kappaleen pintaan, jolloin se kiipeää ylös tai potkaisee taaksepäin. Laikka voi hypätä joko käyttäjää kohti tai poispäin sen mukaan, mihin suuntaan laikka oli siirtymässä juuttumiskohdassa. Hiomalaiikka voi tällöin rikkoutua.

Takapotku johtuu laitteen virheellisestä käytöstä ja/tai käyttötavasta tai olosuhteista. Takapotku voidaan välttää seuraavien varotoimien avulla.

- a) **Pidä yllä vahva pito tehokoneessa ja aseta kehoasi ja käsi varvaksi siten, että voit vastustaa takapotkun voimaa. Käytä aina apukahvaa, jos annettu mukana, takapotkujen tai vääntömomentin maksimi hallinnon vuoksi käynnistyksen aikana.** Käyttäjä voi hallita vääntömomentin reaktioita tai takapotkun voimaa, jos noudattaa sopivia varotoimenpiteitä.
- b) **Älä koskaan aseta kättäsi pyörivän lisävarusteen lähelle.** Lisävaruste saattaa takapotkaista kätesi ylitse.
- c) **Asetu niin, että et jää laitteen tielle takapotkun sattuessa.** Takapotku heittää laitetta päinvastaiseen suuntaan kuin mihin laikka pyörii.
- d) **Sovella erityistä huolta, kun teet kulumia, teräviä reunoja, jne. Vältä lisävarusteen ponnahtamista tai repeytymistä.** Kulmilla, terävillä reunoilla tai ponnahtamisella on tapana repäistä pyörivää lisävarustetta ja aiheuttaa hallinnan menettämisen tai takapotkun.
- e) **Älä käytä tässä työkalussa puun sahaamiseen tarkoitettua ketjuterää tai hammastettua terää.** Sellaisten terien käyttäminen johtaa jatkuviin takapotkuihin ja hallinnan menettämiseen.

Hiontaa ja katkaisua koskevat erityiset varoitukset:

- a) **Käytä vain laitteeseen tarkoitettuja laikkatyyppisiä ja kyseiselle laikalle tarkoitettua erikoissuojaa.** Muita kuin laitteeseen nimenomaan tarkoitettua laikkoja ei voida suojata kunnolla, ja siten ne eivät ole turvallisia.
- b) **Napasyvennettyjen laikkojen hiomapinna on oltava suojareunan tason alapuolella.** Väärin asennettua laikkaa, joka työnnyt suojareunan tason läpi, ei ole asianmukaisesti suojattu.
- c) **Suoja on kiinnitettävä laitteeseen tukevasti turvalliseen asentoon niin, että mahdollisimman pieni osa laikasta näkyy käyttäjää kohti.** Suoja suojava käyttäjää rikkoutuneen laikan palasilta ja kipinöiltä, jotka voisivat sytyttää vaatteet palamaan, sekä estää koskettamasta laikkaa vahingossa.
- d) **Laikkoja saa käyttää vain suositeltuihin käyttötarkoitukseen. Esimerkiksi: älä yritä hioa kappaleita katkaisulaikan sivulla.** Katkaisulaikkaa käytettäessä hionta tapahtuu vain laikan kehällä. Sivuttaisvoimat voivat rikkoa laikan.
- e) **Käytä aina ehjiä ja oikean kokoisia laikkalaippoja, joiden muoto vastaa valittua laikkaa.** Oikeantyyppiset laikkalaipat tukevat

laikkaa ja pienentävät näin laikan rikkoutumisriskiä. Katkaisulaikkoihin tarkoitetut laipat voivat olla erilaisia kuin hiomalaikkojen laipat.

f) **Älä käytä isommista sähkötyökaluista otettuja kuluneita laikkoja.** Isoihin sähkötyökaluihin tarkoitetut laikat eivät sovi suuremmalla nopeudella toimiviin pienempiin työkaluihin ja voivat siksi hajota.

Katkaisua koskevat lisävaroitukset:

- a) **Älä anna katkaisulaikan "jumittua" äläkä paina laitetta liian voimakkaasti. Älä yritä tehdä liian syvää uraa.** Laikan liika painaminen lisää kuormitusta ja laikan vääntymis- tai juuttumisriskiä, jolloin seurauksena voi olla takapotku tai laikan rikkoutuminen.
- b) **Älä asetu samaan linjaan pyörivän laikan taakse.** Kun laikka käytettäessä liikkuu käyttäjästä pois päin, mahdollinen takapotku voi syystä pyörivän laikan ja työkalun suoraan käyttäjää kohti.
- c) **Kun laikka takertele tai kun työ joudutaan jostakin syystä keskeyttämään, katkaise laitteesta virta ja pidä sitä paikoillaan liikkumatta, kunnes laikka on täysin pysähtynyt. Älä koskaan yritä irrottaa laikkaa urasta, kun laikka vielä pyörii, koska seurauksena voi olla takapotku.** Selvitä laikan takertelun syy ja tee tarvittavat korjaavat toimenpiteet.
- d) **Älä käynnistä laitetta niin, että se on kiinni työkappaleessa. Anna laikan savuttaa täysi pyörimisnopeus ja työnnä laikka sitten varovasti leikkuu-uraa.** Jos laite käynnistetään niin, että se on kiinni työkappaleessa, laikka voi takertua, työntyä taaksepäin tai ponnahtaa ylös.
- e) **Vähennä laikan takertelu- ja takapotkuriskiä tukemalla paneelit ja ylisuuret työkappaleet huolellisesti.** Isot työkappaleet pyrkivät taipumaan omasta painostaan. Levy on tuettava molemmilta puolilta sekä leikkuulinjan vierestä että reunoilta.
- f) **Ole erityisen varovainen, kun leikkaat "taskuja" valmiisiin seinisiin tai muihin umpinaisiin rakenteisiin.** Laikka voi katkaista kaasu- tai vesiputkia tai sähköjohtoja tai osua takapotkun aiheuttaviin esteisiin.

Hiekkapaperihiontaa koskevat erikoismääräykset:

- a) **Älä käytä ylikokoista hiomalaikkapaperia.** Noudata hiekkapaperin valinnassa valmistajan suosituksia. Hiomatynnyrn ulkopuolella ulottuva hiekkapaperi voi revetä ja aiheuttaa takertelua, laikkavaurioita tai takapotkun.

Teräsharjausta koskevat erityiset varoitukset:

- a) **Ota huomioon, että harjaksia irtoaa harjasta myös normaalikäytössä. Älä kuormita harjaksia turhaan painamalla liian voimakkaasti.** Harjakset voivat helposti tunkeutua vaateiden ja/tai ihon läpi.
- b) **Jos harjauksessa suositellaan käytettäväksi suojusta, älä anna harjauslaikan tai harjan ottaa suojukseen.** Harjauslaikan tai harjan halkaisija voi kasvaa kuormituksen ja keskipakovoiman vaikutuksesta.

Turvallisuutta koskevat lisävaroitukset:

17. **Jos käytät hiomalaikkaa, jossa on upotettu keskiö, varmista, että laikka on lasikuivuhvisteinen.**
18. **ÄLÄ KOSKAAN käytä tässä hiomakoneessa kiven hiontaan tarkoitettuja kuppilainjoja.** Hiomakoneetta ei ole suunniteltu tämän tyyppisten laikkojen käyttöön. Vääräntyyppisten laikkojen käyttö voi aiheuttaa vakavan henkilövahingon.
19. **Varo, ettet vahingoita karaa, laippaa (erityisesti asennuspintaa) tai lukkomutteria.** Näiden varaosien vahingoittuminen voi aiheuttaa pyörän rikkoutumisen.
20. **Varmista, että laikka ei kosketa työkappaleeseen, ennen kuin virta on kytketty päälle kytkimestä.**
21. **Ennen kuin käytät työkalua nimenomaiseen työkappaleeseen, anna sen juosta jonkin aikaa. Varo, ettei se värähtele tai räise, joka voi on merkki siitä, että laikka on huonosti asennettu tai tasapainoitettu.**
22. **Käytä hiontaan siihen tarkoitettua laikan pintaa.**
23. **Älä jätä konetta käymään itseksensä. Käytä laitetta vain silloin, kun pidät sitä kädessä.**
24. **Älä kosketa työkappaletta heti käytön jälkeen, sillä se saattaa olla erittäin kuuma ja polttaa ihoa.**
25. **Noudata valmistajan antamia ohjeita laikkojen oikeasta asennuksesta ja käytöstä. Käsittele laikkoja varoen ja säilytä niitä turvallisessa paikassa.**
26. **Älä käytä erillisiä supistusholkkeja tai sovitimia isoaukkoisten hiomalaikkojen kiinnitykseen.**
27. **Käytä ainoastaan tälle työkalulle tarkoitettuja laippoja.**
28. **Kun käytät kierreerillä varustetuille laikoille tarkoitettua työkalua, varmista, että laikan kierteet vastaavat pituudeltaan a.**
29. **Varmista, että työkappale on tukevasti paikoillaan.**
30. **Ota huomioon, että laikka jatkaa pyörimistään vielä sen jälkeen, kun virta on katkaistu.**
31. **Jos työtila on erittäin kuumin ja kostea tai siinä esiintyy runsaasti sähköä johtavaa pölyä, varmista turvallisuus käyttämällä vikavirtakatkaisinta (30 mA).**
32. **Älä hio tai leikkaa työkalulla mitään asbestia sisältäviä materiaaleja.**
33. **Käytä aina paikallisten määräysten edellyttämää pölyä keräävää laikansuojusta.**
34. **Katkaisulaikkaa ei saa painaa sivusuunnassa.**

SÄILYTÄ NÄMÄ OHJEET.

⚠VAROITUS:

ÄLÄ anna työkalun helpokäyttöisyyden tai toistuvan käytön tuudittaa sinua väärään turvallisuuden tunteeseen niin, että laiminlyöt työkalun turvaohjeiden noudattamisen. VÄÄRINKÄYTTÖ tai tämän käyttöohjeen turvamääräysten laiminlyönti voi johtaa vakaviin henkilövahinkoihin.

TOIMINTOJEN KUVAUS

⚠️HUOMIO:

- Varmista aina ennen koneen säätöjen ja toiminnallisten tarkistusten tekemistä, että kone on sammutettu ja irrotettu pistorasiasta.

lukitus

Kuva1

⚠️HUOMIO:

- Älä koskaan kytke lukkoa päälle n pyöriessä. Työkalu voi rikkoutua.

Kun kiinnität tai irrotat lisälaitteita, estä a pyörimästä painamalla lukitusta.

Kytkimen käyttäminen

Kuva2

⚠️HUOMIO:

- Ennen kuin kytket työkaluun sähkövirran, tarkista, että liukukytkin kytkeytyy oikein ja palautuu OFF-asentoon, kun liukukytkimen takaosaa painetaan.
- Kytkimen voi lukita "ON" asentoon, jotta pitkäaikainen käyttö helpottuisi käyttäjälle. Ole varovainen, kun lukitset työkalun "ON" asentoon ja pidä työkalusta luja ote.

Käynnistä työkalu siirtämällä liukukytkin asentoon I (ON) työntämällä liukukytkimen takaosaa. Jos haluat käyttää konetta jatkuvalla käynnillä, lukitse kytkinvipu painamalla sen etuosaa.

Työkalu pysäytetään painamalla kytkinvivun takaosaa ja työntämällä kytkinvipu asentoon O (OFF).

Merkkivalo

Kuva3

Vihreä merkkivalo syttyy vihreänä, kun laite kytketään virtaan. Jos merkkivalo ei syty, päävirtajohto tai ohjain saattaa olla vahingoittunut. Merkkivalo palaa, mutta työkalu ei käynnisty silloinkaan, jos työkalu on kytketty päälle, hiiliharjat saattavat olla kuluneet tai ohjain, moottori tai ON/OFF-kytkin saattaa olla vaurioitunut.

Tahaton uudelleenkäynnistyksen todiste

Työkalu ei käynnisty, jos kytkin on lukittu, vaikka työkalun virtajohto kytketään.

Silloin merkkivalo vilkkuu punaisena ja osoittaa, että tahattoman uudelleenkäynnistyksen estolaite on toiminnassa.

Jos haluat peruuttaa tahattoman uudelleenkäynnistyksen eston, työnnä liukukytkin takaisin asentoon O (OFF).

Nopeudensäätöpyörä

Kuva4

Voit muuttaa pyörimisnopeutta kääntämällä nopeudensäätöpyörää numeroasetukseen 1-5.

Nopeus kasvaa käännettäessä numero 5 kohti. Nopeus pienenee käännettäessä numeroa 1 kohti.

Seuraavassa taulukossa on numeroasetuksia vastaava arvioitu pyörimisnopeus.

Mallille GA4040C, GA4540C, GA5040C, GA4041C, GA4541C, GA5041C

Luku	min ⁻¹ (kierr./min)
1	2 800
2	4 000
3	6 000
4	8 000
5	11 000

012752

Mallille GA6040C

Luku	min ⁻¹ (kierr./min)
1	4 000
2	5 000
3	6 000
4	7 000
5	9 000

012756

⚠️HUOMIO:

- Jos konetta käytetään pitkäaikaisesti pienellä nopeudella, sen moottori ylikuormittuu ja kuumenee.
- Nopeussäädintä voi kääntää vain asentoon 5 tai asentoon 1 ja saakka. Älä pakota sitä asennon 5 tai 1 ohi, koska nopeudensäätötoiminto saattaa lakata toimimasta.

Sähköinen toiminta

Sähköisiä toimintoja sisältäviä työkaluja on helppo käyttää seuraavien ominaisuuksien ansiosta.

Vakionopeuden säätö

Vakionopeuden säätö tuottaa laadukkaan jäljen, sillä se varmistaa pyörimisnopeuden säilymisen vakiona myös kuormitettuna.

Pehmeä käynnisty

Pehmeä käynnisty vaimentaa käynnistyksen yhteydessä ilmenevää nykäystä.

Ylikuormitusuoja

Jos työkalun kuormitus ylittää sallitun rajan, moottorin tehoa alennetaan, jotta se ei ylikuumentaisi. Kun kuormitus palautuu sallitulle tasolle, työkalun toiminta palaa normaaliiksi.

Mekaaninen jarru

Mallille GA4041C, GA4541C, GA5041C

Mekaaninen jarru aktivoituu, kun työkalun virta katkaistaan.

Jarru ei toimi, jos virtalähteen virta on katkaistu, mutta laitteen virtakytkin on päällä.

KOKOONPANO

⚠️HUOMIO:

- Varmista aina ennen koneelle tehtäviä toimenpiteitä, että kone on sammutettu ja irrotettu pistorasiasta.

Sivukahvan asentaminen (kahva)

Kuva5

⚠️HUOMIO:

- Varmista aina ennen käyttöä, että sivukahva on tukevasti paikoillaan.

Kiinnitä sivukahva koneeseen kuvan osoittamalla tavalla.

Laikan suojuksen kiinnittäminen ja irrottaminen (upotetulla navalla varustettu laikka, lamellilaikka, joustava laikka, teräsharjalaikka / hiova katkaisulaikka, timanttilaikka)

⚠️VAROITUS:

- Jos käytössä on upotetulla navalla varustettu hiomalaikka, lamellilaikka, joustava laikka tai teräsharjalaikka, laikan suojuksen kiinnittäminen työkaluun niin, että suojuksen umpinainen puoli tulee aina käyttäjää kohti.
- Varmista hiovaa katkaisulaikkaa / timanttilaikkaa käyttäessäsi, että käytät ainoastaan katkaisulaikkojen kanssa käytettäväksi tarkoitettua erikoislaikansuojusta. (Joissakin Euroopan maissa voidaan käyttää timanttilaikan kanssa tavallista suojusta. Noudata omassa maassasi voimassa olevia määräyksiä.)

Lukitusruuvi-tyypisillä laikkasuojuksilla varustetulle työkalulle

Kuva6

Kiinnitä laikan suojuksen kiinnityspannan ulokkeet tulevat laakerikotelon lovien kohdalle. Käännä sitten laikan suojusta 180 ° vastapäivään. Kiristä ruuvit huolellisesti.

Irrota laikan suojuksen päinvastaisessa järjestyksessä.

Kiristysruuvi-tyypisillä laikkasuojuksilla varustetulle työkalulle

Kuva7

Vedä vipua nuolen suuntaan ruuvin löysäämisen jälkeen.

Kiinnitä laikan suojuksen kiinnityspannan ulokkeet tulevat laakerikotelon lovien kohdalle. Käännä sitten laikan suojusta 180 °.

Kuva8

Vedä vipua nuolen suuntaan ja kiristä laikan suojuksen kiinnittämällä ruuvi. Laikan suojuksen asennuskulma säädetään vivulla.

Irrota laikan suojuksen päinvastaisessa järjestyksessä.

Upotetulla navalla varustetun laikan tai lamellilaikan (lisävaruste) asentaminen

⚠️VAROITUS:

- Jos käytössä on upotetulla navalla varustettu laikka tai lamellilaikka, laikan suojuksen kiinnittäminen työkaluun niin, että suojuksen umpinainen puoli tulee aina käyttäjää kohti.

Kuva9

Aseta sisälaippa an. Sovita laikka sisälaippaan ja kiinnitä lukkomutteri an.

Kuva10

Kiristä lukkomutteri painamalla lukkoa voimakkaasti niin, ettei pääse pyörimään, ja kiristä lukkomutteri sitten lukkomutteriavaimella myötäpäivään.

Laikka irrotetaan päinvastaisessa järjestyksessä.

Superlaikka (lisävaruste)

F-kirjaimella merkityissä malleissa on vakiovarusteena superlaippa. Sen ansiosta lukkomutterin avaamiseen tarvitaan vain 1/3 tavallisen laipan edellyttämästä aukaisuvoimasta.

⚠️HUOMIO:

- Älä käytä superlaippaa mekaanisella jarrulla varustetuissa malleissa. Se voi löystyä, kun jarrua käytetään.

Ezynutin (lisävaruste) kiinnittäminen ja irrottaminen

⚠️HUOMIO:

- Älä käytä Ezynutia superlaipan kanssa tai kulmahiomakoneissa, joiden mallinumeron lopussa on F-kirjain. Nämä laipat ovat niin paksuja, ettei karan koko kierrettä voi kiinnittää.

Kuva11

Kiinnitä sisälaippa, hiomalaikka ja Ezynut karaan niin, että Ezynutin Makita-logo näkyy ulospäin.

Kuva12

Paina karalukkoa tiukasti ja kiristä Ezynut kiertämällä hiomalaikkaa myötäpäivään niin pitkälle kuin se menee. Voit löysätä kiinnityksen kiertämällä Ezynutin ulkokehää vastapäivään.

Kuva13

Kuva14

HUOMAUTUS:

- Ezynut voidaan löysätä käsivoimin aina, kun nuoli on loven kohdalla. Muissa tapauksissa avaamiseen tarvitaan sakara-avainta. Sovita yksi avaimen sakara koloon ja kierrä Ezynutia vastapäivään.

Joustolaikan (lisävaruste) kiinnittäminen ja irrottaminen

⚠VAROITUS:

- Käytä aina mukana toimitettua suojusta, kun joustolaikka on kiinni työkalussa. Laikka voi hajota käytössä, joten suojuus vähentää vammautumiseriskää.

Kuva15

Noudata upotetulla navalla varustettua laikkaa koskevia ohjeita, mutta käytä lisäksi laikan päällä muovityynyä. Katso asennusjärjestys tämän ohjeen lisävarustesivulta.

Hiomalaikan (lisävaruste) kiinnittäminen ja irrottaminen

HUOMAUTUS:

- Käytä vain tässä ohjekirjassa määritettyjä hiomakoneita. Ne on ostettava erikseen.

Kuva16

Asenna kumityyny karaan. Sovita laikka kumitynyyn ja kiinnitä hiomalaikan lukkomutteri karaan. Kiristä hiomalaikan lukkomutteri painamalla akselilukkoa voimakkaasti niin, ettei kara pääse pyörimään, ja kiristä lukkomutteri sitten kiertämällä lukkomutteriavaimella myötäpäivään.

Irrota laikka päinvastaisessa järjestyksessä.

Pölykannen kiinnittimen asennus ja irrotus (Vaihtoehtoinen lisävaruste)

⚠VAROITUS:

- **Varmista aina ennen pölykannen kiinnittimen asennusta ja irrotusta, että työkalu on sammutettu ja sen virtajohto on irrotettu.** Muuten seurauksena voi olla työkalu vaurioituminen tai vammautuminen.

Pölykannen kiinnittimiä on neljä, ja kutakin tulee käyttää eri asennoissa.

Kuva17

Asenna pölykannen kiinnitin niin, että merkintä (A, B, C tai D) tulee kuvassa näkyvään paikkaan. Napsauta sen kiinnikkeet ilmanvaihtoaukkoihin.

Pölykannen kiinnittimen voi poistaa käsin.

HUOMAUTUS:

- Puhdista pölykannen kiinnitin, kun se on tukkeutunut vierailta aineilla. Työn jatkaminen tukkeutuneella pölykannen kiinnittimellä vahingoittaa työkalua.

TYÖSKENTELEY

⚠VAROITUS:

- Älä koskaan pakota konetta. Koneen oma paino riittää. Pakottaminen ja liiallinen painaminen voi aiheuttaa vaarallisen laikan rikkoutumisen.
- Vaihda laikka AINA, jos kone pääsee putoamaan hionnan aikana.
- ÄLÄ KOSKAAN iske tai kolhi laikkaa työkappaleeseen.
- Vältä laikan pomppimista ja jumittumista varsinkin silloin, kun työstät nurkkia, teräviä reunoja ja niin edelleen. Seurauksena voi olla hallinnan menetys ja takapotku.
- ÄLÄ KOSKAAN asenna koneeseen puun leikkaamiseen tarkoitettuja teriä tai muita sahanteriä. Kulmahiomakoneessa käytettynä nämä terät aiheuttavat lähes poikkeuksetta takapotkun ja hallinnan menetyksen, jolloin seurauksena voi olla henkilövahinkoja.

⚠HUOMIO:

- Älä koskaan käynnistä konetta, kun se koskettaa työkappaleeseen, koska tämä voi aiheuttaa käyttäjälle vammoja.
- Käytä aina suojalaseja tai kasvosuojusta käytön aikana.
- Käytön jälkeen katkaise koneesta aina virta ja odota, kunnes laikka on täysin pysähtynyt ennen kuin lasket koneen käsistä.

Hionta

Kuva18

Ota työkalusta AINA tukeva ote toinen käsi rungossa ja toinen sivukahvassa. Kytke työkaluun ensin virta ja työnnä sitten laikka kiinni työkappaleeseen.

Yleensä laikan reuna kannattaa pitää noin 15 asteen kulmassa työkappaleen pintaan nähden.

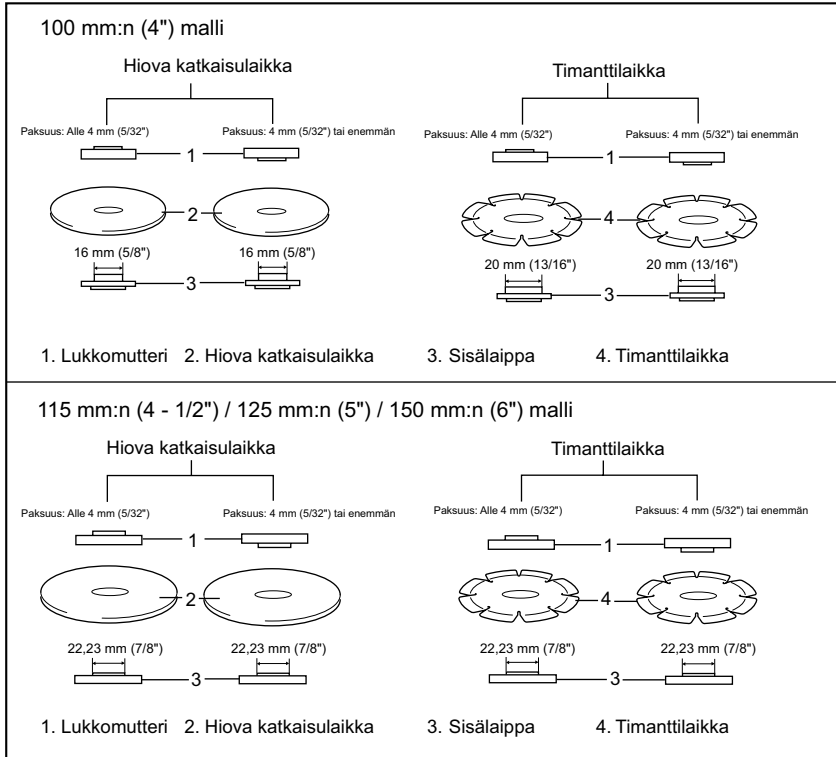
Älä käytä hiomakonetta suuntaan B uuden laikan totutuskäytön aikana, sillä se saa laikan pureutumaan kiinni työkappaleeseen. Sitten kun laikan reuna on käytössä pyörinyt, konetta voidaan käyttää sekä suuntaan A että B.

Hiovan katkaisulaikan/timanttilaikan käyttäminen (lisävaruste)

Kuva19

Sisälaipan ja lukkomutterin kiinnityssuunta vaihtelee laikan paksuuden mukaan.

Katso lisätietoja oheisesta taulukosta.



012746

VAROITUS:

- Varmista hiova katkaisulaikkaa / timanttilaikkaa käyttäessäsi, että käytät ainoastaan katkaisulaikkojen kanssa käytettäväksi tarkoitettua erikoislaikansuojusta. (Joissakin Euroopan maissa voidaan käyttää timanttilaikan kanssa tavallista suojusta. Noudata omassa maassasi voimassa olevia määräyksiä.)
- ÄLÄ KOSKAAN käytä katkolaikkaa sivun hiontaan.
- Älä "sullo" laikkaa tai sovelle liiallista painetta. Älä yritä tehdä liian syvää leikkausta. Laikan liiallinen painaminen lisää laikan leikkauksen kiinnittymisen ja kierteen lastauksen ja alltiuden, sekä takapotkun, laikan rikkoutumisen ja moottorin ylikuumentumisen mahdollisuutta.

- Älä käynnistä leikkaustoimintaa työkalupaleessa. Anna laikan saavuttaa täysi nopeus ja astu varovasti leikkaukseen, siirtäen työkalua eteenpäin työkalupaleen pinnan yli. Laikka saattaa kiinnittyä, jättää tai takapotkaista, jos työkalu käynnistetään työkalupaleessa.
- Leikkaustoiminnan aikana, älä koskaan vaihda laikan kulmaa. Jos sijoitat katkolaikkaan sivupainetta (kuten hiomisen aikana), se voi aiheuttaa laikan lastuamisen ja katkeamisen, joka voi aiheuttaa henkilöövaman.
- Timanttilaikkaa on pidettävä kohtisuorassa leikattavaan materiaaliin nähden.

Teräskuppiharjan käyttäminen (lisävaruste)

⚠️HUOMIO:

- Tarkista harjan toiminta käyttämällä työkalua ilman kuormitusta. Varmista, ettei kukaan ole harjan tiellä.
- Älä käytä harjaa, jos se on vaurioitunut tai epätasapainossa. Vaurioituneen harjan käyttäminen voi aiheuttaa loukkaantumista vaaran katkenneiden harjasten takia.

Kuva20

Irrota työkalun virtajohto ja aseta työkalu ylösalaisin siten, että kara on esillä. Poista karassa mahdollisesti olevat lisävarusteet. Työnnä teräskuppiharja karaan ja kiristä se työkalun mukana toimitettavalla avaimella. Kun käytät harjaa, älä paina sitä liiallisella voimalla. Liiallinen voimankäyttö saattaa taivuttaa harjaksia ja vaurioittaa harjaa.

Teräsharjalaikan käyttäminen (lisävaruste)

⚠️HUOMIO:

- Tarkista teräsharjalaikan toiminta käyttämällä työkalua ilman kuormitusta. Varmista, ettei kukaan ole teräsharjalaikan tiellä.
- Älä käytä teräsharjalaikkaa, jos se on vaurioitunut tai epätasapainossa. Vaurioituneen teräsharjalaikan käyttäminen voi aiheuttaa loukkaantumista vaaran katkenneiden harjasten takia.
- Käytä teräsharjalaikan kanssa AINA suojusta. Varmista, että laikka mahtuu suojuksen sisäpuolelle. Laikka voi hajota käytössä, joten suojusta vähentää vammautumisen riskiä.

Kuva21

Irrota työkalun virtajohto ja aseta se ylösalaisin siten, että kara on esillä. Poista karassa mahdollisesti olevat lisävarusteet. Kiinnitä teräsharjalaikka karaan ja kiristä se avaimilla.

Kun käytät teräsharjalaikkaa, älä paina sitä liiallisella voimalla, sillä liiallinen voimankäyttö saattaa taivuttaa harjaksia ja vaurioittaa laikkaa.

KUNNOSSAPITO

⚠️HUOMIO:

- Varmista aina ennen tarkastuksia ja huoltotoimia, että laite on kone on sammutettu ja irrotettu virtalähteestä.
- Älä koskaan käytä bensiiniä, ohentimia, alkoholia tai tms. aineita. Muutoin pinta voi halkeilla tai sen värit ja muoto voivat muuttua.

Kuva22

Kone ja sen ilma-aukot on pidettävä puhtaina. Puhdista koneen ilma-aukot säännöllisesti tai aina kun ne alkavat tukkeutua.

Tuotteen TURVALLISUUDEN ja LUOTETTAVUUDEN säilyttämiseksi Makitan valtuutetun huoltokeskuksen tulee suorittaa korjaukset, hiiliharjojen tarkastus ja vaihto, sekä muut huolto- tai säätötyöt Makitan varaosia käyttäen.

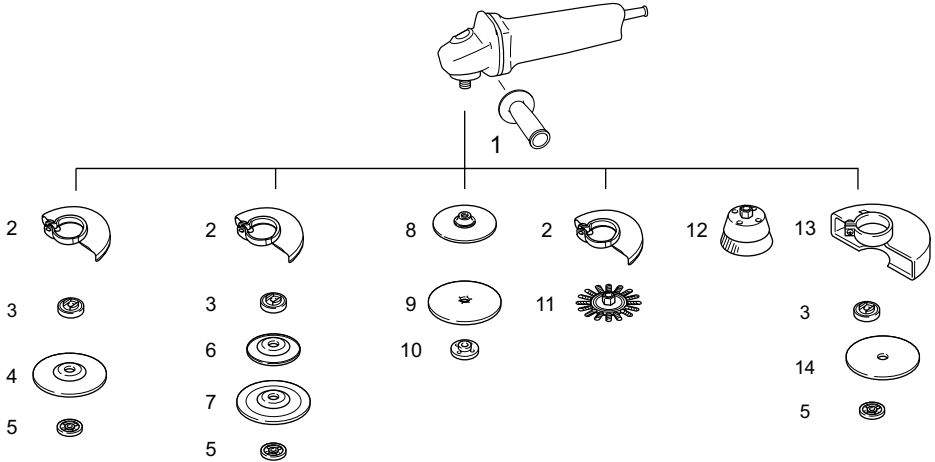
LISÄVARUSTEET

⚠️HUOMIO:

- Näitä lisävarusteita ja -laitteita suositellaan käytettäväksi tässä ohjekirjassa mainitun Makitan koneen kanssa. Minkä tahansa muun lisävarusteen tai -laitteen käyttäminen voi aiheuttaa loukkaantumista vaaran. Käytä lisävarusteita ja -laitteita vain niiden käyttötarkoituksen mukaisesti.

Jos tarvitset apua tai yksityiskohtaisempia tietoja seuraavista lisävarusteista, ota yhteys paikalliseen Makitan huoltoon.

- Pölysuojusvaruste



	100 mm:n (4") malli	115 mm:n (4-1/2") malli	125 mm:n (5") malli	150 mm:n (6") malli
1	Kahva 36			
2	Laikan suojus (hiomalaikka)			
3	Sisälaippa	Sisälaippa Superlaippa *1	Sisälaippa Superlaippa *1	Sisälaippa Superlaippa *1
4	Upotetulla navalla varustettu laikka/lamellilaikka			
5	Lukkomutteri	Lukkomutteri Ezynut *2	Lukkomutteri Ezynut *2	Lukkomutteri Ezynut *2
6	Muovityyny	Muovityyny	Muovityyny	-
7	Joustava laikka	Joustava laikka	Joustava laikka	-
8	Kumityyny 76	Kumityyny 100	Kumityyny 115	Kumityyny 125
9	Hiomalaikka			
10	Lukkomutteri hiontaan			
11	Teräsharjalaikka			
12	Teräskuppiharja			
13	Laikan suojus (katkaisulaikka) *3			
14	Hiova katkaisulaikka/timanttilaikka			
-	Lukkomutteriavain			

Huomautus:

*1 Älä käytä superlaippaa jarrulla varustetussa hiomakoneessa.

*2 Älä käytä superlaippaa ja Ezynutia yhdessä.

*3 Joissakin Euroopan maissa voidaan käyttää timanttilaikan kanssa tavallista suojusta laikan molemmat puolet peittävän erikoissuojuksen sijasta. Noudata omassa maassasi voimassa olevia määräyksiä.

013977

HUOMAUTUS:

- Jotkin luettelossa mainitut varusteet voivat sisältyä työkalun toimitukseen vakiovarusteina. Ne voivat vaihdella maittain.

Modelis GA4040C

Darba režīms: virsmas slīpēšana ar parastu sānu rokturi

Vibrācijas emisija ($a_{h,AG}$): 5,0 m/s²

Nenoteiktību (K) : 1,5 m/s²

Darba režīms: virsmas slīpēšana ar antivibrācijas sānu rokturi

Vibrācijas emisija ($a_{h,AG}$): 5,0 m/s²

Nenoteiktību (K) : 1,5 m/s²

Darba režīms: slīpēšana ar disku ar parastu sānu rokturi

Vibrācijas izmeši ($a_{h,DS}$): 3,0 m/s²

Nenoteiktību (K) : 1,5 m/s²

Darba režīms: slīpēšana ar disku ar antivibrācijas sānu rokturi

Vibrācijas emisija ($a_{h,DS}$): 2,5 m/s² vai mazāk

Neskaidrība (K) : 1,5 m/s²

Modelis GA4540C

Darba režīms: virsmas slīpēšana ar parastu sānu rokturi

Vibrācijas emisija ($a_{h,AG}$): 6,0 m/s²

Nenoteiktību (K) : 1,5 m/s²

Darba režīms: virsmas slīpēšana ar antivibrācijas sānu rokturi

Vibrācijas emisija ($a_{h,AG}$): 5,5 m/s²

Nenoteiktību (K) : 1,5 m/s²

Darba režīms: slīpēšana ar disku ar parastu sānu rokturi

Vibrācijas izmeši ($a_{h,DS}$): 2,5 m/s²

Nenoteiktību (K) : 1,5 m/s²

Darba režīms: slīpēšana ar disku ar antivibrācijas sānu rokturi

Vibrācijas izmeši ($a_{h,DS}$): 2,5 m/s²

Nenoteiktību (K) : 1,5 m/s²

Modelis GA5040C

Darba režīms: virsmas slīpēšana ar parastu sānu rokturi

Vibrācijas emisija ($a_{h,AG}$): 6,5 m/s²

Nenoteiktību (K) : 1,5 m/s²

Darba režīms: virsmas slīpēšana ar antivibrācijas sānu rokturi

Vibrācijas emisija ($a_{h,AG}$): 5,5 m/s²

Nenoteiktību (K) : 1,5 m/s²

Darba režīms: slīpēšana ar disku ar parastu sānu rokturi

Vibrācijas izmeši ($a_{h,DS}$): 2,5 m/s²

Nenoteiktību (K) : 1,5 m/s²

Darba režīms: slīpēšana ar disku ar antivibrācijas sānu rokturi

Vibrācijas izmeši ($a_{h,DS}$): 2,5 m/s²

Nenoteiktību (K) : 1,5 m/s²

Modelis GA6040C

Darba režīms: virsmas slīpēšana ar parastu sānu rokturi

Vibrācijas emisija ($a_{h,AG}$): 6,5 m/s²

Nenoteiktību (K) : 1,5 m/s²

Darba režīms: virsmas slīpēšana ar antivibrācijas sānu rokturi

Vibrācijas emisija ($a_{h,AG}$): 6,0 m/s²

Nenoteiktību (K) : 1,5 m/s²

Darba režīms: slīpēšana ar disku ar parastu sānu rokturi

Vibrācijas izmeši ($a_{h,DS}$): 2,5 m/s²

Nenoteiktību (K) : 1,5 m/s²

Darba režīms: slīpēšana ar disku ar antivibrācijas sānu rokturi

Vibrācijas emisija ($a_{h,DS}$): 2,5 m/s² vai mazāk

Neskaidrība (K) : 1,5 m/s²

Modelis GA4541C

Darba režīms: virsmas slīpēšana ar parastu sānu rokturi

Vibrācijas emisija ($a_{h,AG}$): 6,5 m/s²

Nenoteiktību (K) : 1,5 m/s²

Darba režīms: virsmas slīpēšana ar antivibrācijas sānu rokturi

Vibrācijas emisija ($a_{h,AG}$): 5,5 m/s²

Nenoteiktību (K) : 1,5 m/s²

Darba režīms: slīpēšana ar disku ar parastu sānu rokturi

Vibrācijas emisija ($a_{h,DS}$): 2,5 m/s² vai mazāk

Neskaidrība (K) : 1,5 m/s²

Darba režīms: slīpēšana ar disku ar antivibrācijas sānu rokturi

Vibrācijas emisija ($a_{h,DS}$): 2,5 m/s² vai mazāk

Neskaidrība (K) : 1,5 m/s²

Modelis GA5041C

Darba režīms: virsmas slīpēšana ar parastu sānu rokturi

Vibrācijas emisija ($a_{h,AG}$): 7,0 m/s²

Nenoteiktību (K) : 1,5 m/s²

Darba režīms: virsmas slīpēšana ar antivibrācijas sānu rokturi

Vibrācijas emisija ($a_{h,AG}$): 6,0 m/s²

Nenoteiktību (K) : 1,5 m/s²

Darba režīms: slīpēšana ar disku ar parastu sānu rokturi

Vibrācijas emisija ($a_{h,DS}$): 2,5 m/s² vai mazāk
Neskaidrība (K): 1,5 m/s²

Darba režīms: slīpēšana ar disku ar antivibrācijas sānu rokturi

Vibrācijas emisija ($a_{h,DS}$): 2,5 m/s² vai mazāk
Neskaidrība (K): 1,5 m/s²

ENG902-1

- Paziņotā vibrācijas emisijas vērtība noteikta atbilstoši standarta pārbaudes metodei un to var izmantot, lai salīdzinātu vienu darbarīku ar citu.
- Paziņoto vibrācijas emisijas vērtību arī var izmantot iedarbības sākotnējā novērtējumā.
- Paziņoto vibrācijas emisijas vērtību izmanto galvenajām mehanizētā darbarīka darbībām. Taču, ja darbarīku izmanto citām darbībām, vibrācijas emisijas vērtība var būt atšķirīga.

▲BRĪDINĀJUMS:

- Reāli lietojot mehanizēto darbarīku, vibrācijas emisija var atšķirties no paziņotās emisijas vērtības atkarībā no darbarīka izmantošanas veida.
- Lai aizsargātu lietotāju, nosakiet drošības pasākumus, kas pamatoti ar iedarbību reālos darba apstākļos (ņemot vērā visus ekspluatācijas cikla posmus, piemēram, laiku, kamēr darbarīks ir izslēgts un kad darbojas tukšgaitā, kā arī palaides laiku).

ENH101-16

Tikai Eiropas valstīm

EK Atbilstības deklarācija

Mēs, uzņēmums „Makita Corporation”, kā atbildīgs ražotājs paziņojam, ka sekojošais/-ie „Makita” darbarīks/-i:

Darbarīka nosaukums:

Leņķa slīpmašīna

Modeļa nr../ Veids: GA4040C, GA4540C, GA5040C, GA6040C, GA4541C, GA5041C

ir sērijas ražojums un

Atbilst sekojošām Eiropas Direktīvām:

2006/42/EC

Un tas ražots saskaņā ar sekojošiem standartiem vai standartdokumentiem:

EN60745

Tehnisko dokumentāciju uztur:

Makita International Europe Ltd.

Technical Department,

Michigan Drive, Tongwell,

Milton Keynes, Bucks MK15 8JD, Anglija



000230

Tomoyasu Kato

Direktors

Makita Corporation

3-11-8, Sumiyoshi-cho,

Anjo, Aichi, 446-8502, JAPAN

GEA010-1

Vispārējie mehanizēto darbarīku drošības brīdinājumi

▲ **BRĪDINĀJUMS** Izlasiet visus drošības brīdinājumus un visus norādījumus. Brīdinājumu un norādījumu neievērošanas gadījumā var rasties elektriskās strāvas trieciens, ugunsgrēks un/vai nopietnas traumas.

Glabājiet visus brīdinājumus un norādījumus, lai varētu tajos ieskatīties turpmāk.

GEB033-7

DROŠĪBAS BRĪDINĀJUMI SLĪPĒTĀJA LIETOŠANAI

Drošības brīdinājumi, kopīgi slīpēšanas, slīpēšanas ar smilšpapīru, apstrādes ar stieplu suku vai abrazīvas atgrīšanas darbībām:

1. Šis mehanizētais darbarīks ir paredzēts slīpētāja, darbarīka slīpēšanai ar smilšpapīru, stieplu suku vai atgrīšanas darbarīka funkciju pildīšanai. Izlasiet visus drošības brīdinājumus, instrukcijas un specifiskācijas, kas iekļautas mehanizētā darbarīka komplektācijā. Ja netiek ievēroti visi zemāk izklāstītie norādījumi, var tikt izraisīts elektriskās strāvas trieciens, ugunsgrēks un/vai smagas traumas.
2. **Ar šo mehanizēto darbarīku nav ieteicams veikt tādas darbības kā pulēšana.** Veikt darbības, kam šis mehanizētais darbarīks nav paredzēts, var būt bīstami un var radīt miesas bojājumus.
3. **Lietojiet tikai darbarīka ražotāja īpaši izgatavotos un ieteiktos piederumus.** Kaut arī piederumu ir iespējams piestiprināt pie darbarīka, tā lietošana nav droša.
4. **Piederuma nominālajam ātrumam jābūt vismaz vienādam ar maksimālo ātrumu, kas atzīmēts uz mehanizētā darbarīka.** Piederumi, kas kustas ātrāk par nominālo ātrumu, var salūzt un nolidot nost.
5. **Piederuma ārējam diametram un biežumam jābūt mehanizētā darbarīka jaudas koeficienta robežās.** Nepareiza izmēra piederumus nav iespējams pietiekami uzmanīt vai kontrolēt.

6. **Piederumu stiprinājuma vītnei ir jāatbilst slīpmašīnas darbvārpstas vītnei. Piederumiem, kurus piestiprina aiz atlokiem, piederuma ass caurumam jāatbilst atloka uzstādīšanas diametram.** Piederumi, kas neatbilst mehanizētā darbarīka montāžas furnitūrai, ir nestabili, pārmērīgi vibrē un var izraisīt kontroles zaudēšanu.
7. **Neizmantojiet bojātu aprīkojumu. Pirms katras lietošanas pārbaudiet tādu aprīkojumu kā abrazīvās ripas, vai nav skaidu un plaisu, plīsumu vai nolietojuma, un stieplu suku - vai nav vaļīgu vai lūzušu stieplu.** Ja mehanizētais darbarīks vai piederums nokrīt, pārbaudiet, vai nav radušies bojājumi vai ierīkojiet nebojātu piederumu. Pēc piederuma pārbaudes un ierīkošanas atkāpieties un lieciet visiem klātesošajiem atkāpties no rotējošā piederuma, un darbiniet mehanizēto darbarīku bez noslodzes ar maksimālo ātrumu vienā minūtē. Bojāti piederumi šādas pārbaudes laikā parasti izjūk.
8. **Izmantojiet personīgo aizsargaprīkojumu. Atkarībā no veicamā darba valkājiet sejas aizsargu, aizsargbrilles vai brilles. Ja vajadzīgs, valkājiet putekļu masku, ausu aizsargus, cimdus un darba priekšautu, kas aiztur mazas abrazīvas vai apstrādājamā materiāla daļas.** Acu aizsardzības aprīkojumam jāaiztur lidojoši netīrumi, kas rodas dažādu darbu veikšanas laikā. Putekļu maskai vai respiratoram jāaiztur darba laikā radušās daļiņas. Ilgstoša, ļoti intensīva trokšņa iedarbībā varat zaudēt dzirdi.
9. **Uzmanieties, lai apkārtējās personas atrastos drošā attālumā no darba vietas. Ikvienam, kas atrodas darba vietā, jāvalkā personīgais aizsargaprīkojums.** Apstrādājamā materiāla vai bojātā piederuma daļiņas var aizlidot un izraisīt ievainojumus tiem, kas atrodas darba vietas tuvumā.
10. **Veicot darbu, turiet mehanizēto darbarīku tikai aiz izolētajām satveršanas virsmām, ja griešanas instruments varētu saskarties ar aplēptu elektroinstalāciju vai ar savu vadu.** Ja griešanas instruments saskarsies ar vadu, kurā ir strāva, visas mehanizētā darbarīka ārējās metāla virsmas vadīs strāvu un radīs elektriskās strāvas trieciena risku.
11. **Novietojiet vadu tā, lai tas nepieskartos rotējošam piederumam.** Ja zaudēsiet vadību, vadu var pārgriezt vai aizķert, bet jūsu roku var ieraut rotējošajā piederumā.
12. **Mehanizēto darbarīku nedrīkst nolikt malā, līdz piederums nav pilnībā pārstājis darboties.** Rotējošais piederums var satvert virsmu un izraut mehanizēto darbarīku jums no rokām.
13. **Mehanizēto darbarīku nedrīkst darbināt, kad pārnēsājat to virzienā pret sevi.** Ja apgērbs nejauši pieskaras rotējošajam piederumam, tas var tikt satverts, piederumu ievelkot jūsu ķermenī.
14. **Regulāri ņīriet mehanizētā darbarīka gaisa ventilus.** Motora ventilators ievieļ putekļus korpusā un pārmērīga pulvērveida metāla uzkrāšanās var izraisīt elektrības sistēmas bojājumus.
15. **Mehanizēto darbarīku nedrīkst darbināt viegli uzliesmojošu materiālu tuvumā.** Dzirksteles var aizdedzināt šos materiālus.
16. **Nelietojiet tādus piederumus, kam vajadzīgi dzesēšanas šķidrums.** Lietojot ūdeni vai citus dzesēšanas šķidrums, var gūt nāvējošu triecienu vai elektriskās strāvas triecienu.

Atsitienu un ar to saistītu brīdinājumu

Atsitienu ir pēkšņa reakcija uz iespiestu vai aizķērušos rotējošo ripu, atbalsta ieliktni, suku vai kādu citu piederumu. Iespējams, ka aizķeršanās izraisa pēkšņu rotējošā piederuma apstāšanos, kas, savukārt, kontakta brīdī izraisa nekontrolētu mehanizētā darbarīka grūdienu pretēji tā rotācijas virzienam.

Piemēram, ja abrazīvā ripa tiek iespiesta vai aizķeras aiz apstrādājamās virsmas, ripas asmens, kas tiek ievadīts saskares punktā, var ieurbties materiāla virsmā, liekot ripai izkļūt no tā vai izraisot atsitienu. Ripa saskares brīdī var izlekt vai nu operatora virzienā, vai prom no viņa, atkarībā no ripas kustības virziena. Abrazīvās ripas šādos apstākļos var arī salūzt.

Atsitienu rodas darbarīka nepareizas lietošanas un/vai nepareizas darbības vai apstākļu rezultātā, un no tā var izvairīties, veicot piemērotus drošības pasākumus, kā norādīts zemāk.

- a) **Nepārtraukti cieši turiet mehanizēto darbarīku un novietojiet savu ķermeni un rokas tā, lai varētu pretoties atsitienu spēkiem.** Lai maksimāli kontrolētu atsitienu vai - iedarbināšanas laikā - griezes momentu, vienmēr lietojiet palgrokturi, ja tāds ir. Operators var kontrolēt griezes momenta reakciju vai atsitienu spēku, ja veic atbilstošus piesardzības pasākumus.
- b) **Rokas nedrīkst turēt rotējošā piederuma tuvumā.** Piederums var radīt atsitienu rokai.
- c) **Neviena jūsu ķermeņa daļa nedrīkst atrasties teritorijā, kur atsitienu gadījumā pārvietosies mehanizētais darbarīks.** Atsitienu saskares brīdī pārvieto darbarīku virzienā pretēji ripas kustībai.
- d) **Ievērojiet īpašu piesardzību, apstrādājot stūrus, asas malas, u.c. Novērsiet piederuma atlēcienus un sadursmes ar šķēršļiem.** Stūri, asas malas vai atlēcieni mēdz saķert rotējošo piederumu un izraisīt kontroli zaudēšanu pār darbarīku vai atsitienu.
- e) **Nepievienojiet zāga ķēdes kokgriezumu asmeni vai zobaino zāga asmeni.** Šādi asmeņi izraisa biežus atsitienu kontroles zaudēšanu.

Drošības brīdinājumi, specifiski slīpēšanas un abrazīvas atgrīšanas darbībām:

- a) **Izmantojiet tikai savam mehanizētajam darbarīkam ieteiktos ripu veidus un specifiskos aizsargus, kas izstrādāti izvēlētajam ripām.** Ripas, kam mehanizētais darbarīks nav paredzēts, nevar pienācīgi aizsargāt, tāpēc tās nav drošas.
- b) **Ripas ar ieliktu centru slīpēšanas virsmai jāatrodas zemāk par aizsargatloka plāksni.** Nepareizi piestiprināta ripa, kas izvirzīta cauri aizsargatloka plāksnei, nav pietiekami aizsargāta.
- c) **Aizsargam jābūt cieši piestiprinātam pie mehanizētā darbarīka un novietotam maksimālai drošībai, tādējādi operatora virzienā ir atsegta vismazākā ripas daļa.** Aizsargs palīdz aizsargāt operatoru no salūzušas ripas daļām un neļaus saskāties ar slīpripi un dzirkstelēm, kas varētu aizdedzināt apģērbu.
- d) **Ripas jāizmanto tikai ieteiktajam pielietojumam. Piemēram, neslīpējiet ar atgrīšanas ripas malu.** Abrazīvās atgrīšanas ripas ir paredzētas perifērai slīpēšanai, pret šīm slīpripām pielietots spēks no sāniem var likt tām saplaisāt.
- e) **Vienmēr izmantojiet nebojātus, izvēlētajai ripai atbilstoša izmēra un formas ripas atlokus.** Atbilstoši ripas atloki atbalsta ripu, tādējādi samazinot tās salūšanas iespēju. Atgrīšanas ripu atloki var atšķirties no slīpripu atlokiem.
- f) **Neizmantojiet nolietotas ripas no lielākiem mehanizētajiem darbarīkiem.** Lielākiem mehanizētajiem darbarīkiem paredzētās ripas nav piemērotas mazāka darbarīka lielajam ātrumam un tās var saplīst.

Papildu drošības brīdinājumi, specifiski abrazīvas atgrīšanas darbībām:

- a) **"Neiespiediet" atgrīšanas ripu un nepielietojiet pārmērīgu spiedienu.** Nemēģiniet veikt pārmērīga dziļuma griezumus. Ripas pārspriegošana palielina slodzi un uzņēmtību pret ripas savērpsanos vai aizķeršanos griezumā, un atsitiena, un ripas salūšanas iespējamību.
- b) **Neviena jūsu ķermeņa daļa nedrīkst atrasties vienā līnijā ar rotējošo ripu un aiz tās.** Kad darba laikā ripas pārvietojas virzienā prom no jūsu ķermeņa, iespējama atsitiena var būt rotējošo ripu un mehanizēto darbarīku tieši jūsu virzienā.
- c) **Ja ripa aizķeras vai kad kāda iemesla dēļ tiek pārtraukts griezumus, izslēdziet mehanizēto darbarīku un turiet to nekustīgi, līdz ripa apstājas pilnībā.** Nekad nemēģiniet izņemt atgrīšanas ripu no griezuma, kamēr ripa vēl rotē, pretējā gadījumā var rasties atsitiena. Pārbaudiet un veiciet attiecīgus pasākumus, lai likvidētu ripas aizķeršanās cēlonus
- d) **Neatsāciet griešanas darbību, darbarīkam atrodoties apstrādājamajā virsmā. Ļaujiet ripai sasniegt pilnu ātrumu un tad uzmanīgi**

ievietojiet to griezumā no jauna. Ripa var aizķerties, izvirzīties augšup vai veikt atsitieni, ja mehanizētais darbarīks tiek iedarbināts no jauna, kamēr tā atrodas apstrādājamajā materiālā.

e) **Atbalstiet paneļus un visas pārmērīga lieluma apstrādājamās virsmas, lai samazinātu ripas iesprūšanas un atsitiena risku.** Lielu apstrādājamās virsmas laukumi bieži vien ieliecas paši zem sava svara. Atbalsti jānovieto abās ripas pusēs zem apstrādājamās virsmas, griezuma līnijas tuvumā un tuvu apstrādājamās virsmas malai.

f) **Esiet īpaši uzmanīgi, veicot "nišas griezumus" jau esošās sienās vai citās aizsegtās vietās.** Caururbļotais asmens var pārgriezt gāzes vai ūdens caurules, elektrības vadus vai priekšmetus, kas var izraisīt atsitieni.

Drošības brīdinājumi, specifiski slīpēšanai ar smilšpapīru:

a) **Neizmantojiet pārāk lielu smilšpapīra diska papīru. Ievērojiet ražotāja rekomendācijas, kad izvēlaties smilšpapīru.** Lielāks smilšpapīrs, kas sniedzas aiz smilšpapīra ieliktna, rada plūsuma briesmas un var izraisīt diska aizķeršanos, plūsumu vai atsitieni.

Drošības brīdinājumi, specifiski apstrādei ar stieplu suku:

a) **Nemiet vērā, ka stieplu sari veic gājienu pat parastas darbības laikā.** Nepielietojiet pārspiedienu pret stieplēm, pielietojot pārmērīgu slodzi pret suku. Stieplu sari var viegli pārplēst vieglus audumus un/vai ādu.

b) **Ja apstrādei ar stieplu suku ieteikts izmantot aizsargu, nepieļaujiet stieplu ripas vai sukās saskārt ar aizsargu.** Stieplu ripai vai sukai var palielināties diametrs darba slodzes un centrālās spēku iedarbībā.

Papildu drošības brīdinājumi:

17. **Ja izmantojat slīpripas ar ieliktu centru, noteikti izmantojiet tikai stikla šķiedras slīpripas.**
18. **Kopā ar šo slīpmašīnu NEKAD NEIZMANTOJIET blodveida akmens ripu.** Šī slīpmašīna nav paredzēta šāda veida ripām, un to izmantošana var izraisīt nopietnus ievainojumus.
19. **Uzmanieties, lai nesabojātu vārstu, atloku (it īpaši uzstādīšanas virsmu) un pretuzgriezni.** Šo daļu bojājums var izraisīt slīpripas salūšanu.
20. **Pārliecinieties, ka slīpripa nepiešs apstrādājama virsmai pirms slēdža ieslēgšanas.**
21. **Pirms īsta materiāla apstrādāšanas darbiniet darbarīku kādu brīdi tukšgaitā.** Pievērsiet uzmanību tam, vai nav novērojama vibrācija vai svārstīšanās, kas varētu norādīt uz nekvalitatīvu uzstādīšanu vai nepareizi līdzsvarotu ripu.

22. Lai veiktu slīpēšanu, izmantojiet tam paredzēto slīpripas virsmu.
23. Neatstājiet ieslēgtu darbarīku. Darbiniet darbarīku vienīgi tad, ja turat to rokās.
24. Neskarīeties pie apstrādājamas detaļas tūlīt pēc darba izpildes; tā var būt ārkārtīgi karsta un var apdedzināt ādu.
25. Ievērojiet ražotāja norādījumus slīpripu pareizai montāžai un lietošanai. Apejieties ar slīpripām uzmanīgi un uzglabājiet tās saudzīgi.
26. Neizmantojiet atsevišķus pārejas ieliktnus vai adapterus, lai pielāgotu abrazīvās slīpripas ar liela diametra atveri.
27. Izmantojiet tikai šim darbarīkam paredzētus atlokus.
28. Darbarīkiem, kuri paredzēti lietošanai ar vītņotu slīpripu, pārliecinieties, ka slīpripas vītnes garums atbilst vārpstas garumam.
29. Pārbaudiet, vai apstrādājamā detaļa ir pienācīgi atbalstīta.
30. Ņemiet vērā to, ka slīpripa turpina griezties arī pēc darbarīka izslēgšanas.
31. Ja darba vietā ir augsta temperatūra un liels mitrums, vai tā ir stipri piesārņota ar vadītspējīgiem putekļiem, izmantojiet īssavienojuma pārtraucēju (30 mA), lai garantētu operatora drošību.
32. Neizmantojiet instrumentu darbam ar jebkādiem materiāliem, kuri satur azbestu.
33. Griezējripas lietošanas gadījumā vienmēr izmantojiet ripas aizsargu ar putekļu savācēju, jo to prasa vietēja likumdošana.
34. Griezējripas nedrīkst pakļaut jebkura veida sānu spiedienam.

SAGLABĀJIET ŠOS NORĀDĪJUMUS.

⚠BRĪDINĀJUMS:

NEZAUDĒJIET modrību darbarīka lietošanas laikā (tas var gadīties pēc darbarīka daudzkārtējas izmantošanas), rūpīgi ievērojiet urbsšanas drošības noteikumus šim izstrādājumam. **NEPAREIZAS LIETOŠANAS** vai šīs rokasgrāmatas drošības noteikumu neievērošanas gadījumā var gūt smagas traumas.

FUNKCIJU APRAKSTS

⚠UZMANĪBU:

- Pirms regulējat vai pārbaudāt instrumenta darbību, vienmēr pārliecinieties, vai instruments ir izslēgts un atvienots no barošanas.

Vārpstas bloķētājs

Att.1

⚠UZMANĪBU:

- Nekad neieslēdziet vārpstas bloķētāju kamēr vārpsta griežas. Tas var sabojāt darbarīku.

Nospiediet vārpstas bloķētāju, lai novērstu vārpstas rotāciju piederumu uzstādīšanas vai noņemšanas laikā.

Slēdža darbība

Att.2

⚠UZMANĪBU:

- Pirms darbarīka pievienošanas barošanas avotam, vienmēr pārbaudiet, vai slīdslēdzis darbojas pareizi un atgriežas "OFF" (izslēgts) stāvoklī pēc slīdslēdža aizmugurējas daļas atlaišanas.
- Slēdzi var ieslēgt "ON" (ieslēgts) stāvoklī, lai atvieglotu operatora darbu ilgstoša darba laikā. Esiet uzmanīgi, ieslēdzot darbarīku "ON" (ieslēgts) stāvoklī, un turpiniet cieši turēt darbarīku.

Lai iedarbinātu darbarīku, pārvietojiet slīdslēdzi stāvoklī „I (ON)” (ieslēgts), nospiežot slīdslēdža aizmugurējo daļu. Lai darbarīks darbotos nepārtraukti, nospiediet slīdslēdža priekšējo daļu, lai to nobloķētu.

Lai apturētu darbarīku, nospiediet slīdslēdža aizmugurējo daļu un pārvietojiet to stāvoklī „O (OFF)” (izslēgts).

Indikatora lampiņa

Att.3

Zajā indikatora lampiņa iedegas, kad darbarīks ir pievienots barošanas avotam. Ja indikatora lampiņa neiedegas, var būt bojāts strāvas vads vai regulators. Indikatora lampiņa deg, taču darbarīks nesāk darboties, pat, ja tas ir ieslēgts, tad var būt nolietojušās ogles sukas vai arī var būt bojāts regulators, dzinējs vai ON/OFF (ieslēgts/izslēgts) slēdzis.

Drošība pret nejaušu darbības atsākšanu

Šis darbarīks neieslēdzas, piespiežot slēdzi, pat tad, ja darbarīks ir pievienots barošanas avotam.

Šajā laikā indikatora lampiņa mirgo sarkanā krāsā, un norāda, ka darbojas drošība pret nejaušu darbības atsākšanu.

Lai atceltu drošību pret nejaušu darbības atsākšanu, pagrieziet slīdslēdzi stāvoklī „ON(OFF)” (ieslēgts (izslēgts)).

Ātruma regulēšanas skala

Att.4

Lai izmainītu griešanās ātrumu, regulēšanas ciparrīpa ir jāuzstāda vienā no stāvokļiem, kuri ir apzīmēti ar cipariem no 1 līdz 5.

Lai palielinātu ātrumu, ciparrīpa ir jāpagriež cipara 5 virzienā. Lai samazinātu ātrumu, tā ir jāpagriež cipara 1 virzienā.

Saistību starp cipara iestatījumu uz ciparripas un aptuveno instrumenta griešanās ātrumu skatiet šai tabulā.

Modelim GA4040C, GA4540C, GA5040C, GA4041C, GA4541C, GA5041C

Cipars	min ⁻¹ (apgriezieni minūtē)
1	2 800
2	4 000
3	6 000
4	8 000
5	11 000

012752

Modelim GA6040C

Cipars	min ⁻¹ (apgriezieni minūtē)
1	4 000
2	5 000
3	6 000
4	7 000
5	9 000

012756

⚠UZMANĪBU:

- Ja instruments ilgstoši darbojas ar nelielu ātrumu, motors tiks pārslogots un sakarsīs.
- Ātruma regulēšanas skala var tikt griezta tikai no 1 līdz 5. Nemēģiniet ar spēku to pagriezt tālāk, tā varat sabojāt instrumentu.

Elektroniskā vadība

Ar elektronisko funkciju aprīkoti instrumenti ir viegli lietojami, jo tiem ir šādas īpašības.

Konstanta ātruma vadība.

Nemainīga ātruma kontrole nodrošina lielisku darba rezultātu, jo rotācijas ātrums saglabājas vienmērīgs pat slodzes apstākļos.

Maigās palaišanas funkcija

Pakāpeniskas uzsākšanas funkcija slāpē iedarbināšanas triecienu.

Pārslodzes aizsardzības ierīce

Kad slodze darbarīkam pārsniedz pieļaujamās robežas, dzinēja jauda tiek samazināta, lai aizsargātu dzinēju no pārkaršanas. Kad slodze atgriežas pieļaujamajā līmenī, darbarīks atsāk darboties kā parasti.

Mehāniskā bremze

Modelim GA4041C, GA4541C, GA5041C

Mehāniskā bremze tiek aktivizēta pēc darbarīka izslēgšanas.

Bremze nedarbojas, ja slēdzis ir ieslēgts, bet ir izslēgta strāvas padeve.

MONTĀŽA

⚠UZMANĪBU:

- Vienmēr pārliedcinieties, vai instruments ir izslēgts un atvienots no barošanas, pirms veicat jebkādas darbības ar instrumentu.

Sānu roktura uzstādīšana (rokturis)

Att.5

⚠UZMANĪBU:

- Vienmēr pirms darbarīka izmantošanas pārliedcinieties, ka sānu rokturis ir droši uzstādīts. Stingri pieskrūvējiet sānu rokturi pie darbarīka, kā parādīts zīmējumā.

Slīpripas aizsarga uzstādīšana vai noņemšana (slīpriņa ar ieliektu centru, plāksņu disks, lokanā ripa, stieplu sukas ripa/ abrazīva atgriešanas ripa, dimanta ripa)

⚠BRĪDINĀJUMS:

- Slīpripas ar ieliektu centru, plāksņu diska, lokanās ripas vai stieplu sukas ripas izmantošanas gadījumā slīpripas aizsargs ir jāuzstāda uz darbarīka tā, lai aizsarga slēgtā daļa vienmēr būtu vērsta operatora virzienā.
- Izmantojot abrazīvu atgriešanas/ dimanta ripu, lietojiet tikai īpašu ripas aizsargierīci, kas paredzēta atgriešanas ripām. (Dažās Eiropas valstīs, izmantojot dimanta ripu, var lietot parasto aizsargu. Ievērojiet savas valsts noteikumus.)

Darbarīkam ar atdures skrūves tipa slīpripas aizsargu

Att.6

Uzstādiet slīpripas aizsargu tā, lai uz tā malas esošie izciļņi sakristu ar gultņa ieliktna ierobiem. Tad pagrieziet slīpripas aizsargu par 180 ° pretēji pulksteņrādītāja virzienam. Pārliedcinieties, vai skrūve ir cieši pieskrūvēta. Lai noņemtu slīpripas aizsargu, izpildiet augstāk aprakstīto uzstādīšanas procedūru apgrieztā secībā.

Darbarīkam ar spīlējuma sviras tipa slīpripas aizsargu

Att.7

Kad skrūve ir atskrūvēta, pavelciet sviru bultiņas virzienā. Uzstādiet slīpripas aizsargu tā, lai uz tā malas esošie izciļņi sakristu ar gultņa ieliktna ierobiem. Tad pagrieziet slīpripas aizsargu par 180 °.

Att.8

Piestipriniet slīpripas aizsargu, pieskrūvējot skrūvi pēc sviras pavilkšanas bultiņas virzienā. Slīpripas aizsarga uzstādīto leņķi var regulēt ar sviru.

Lai noņemtu slīpripas aizsargu, izpildiet augstāk aprakstīto uzstādīšanas procedūru apgrieztā secībā.

Slīpripas ar ieliektu centru vai plākšņu diska (papildpiederums) uzstādīšana un noņemšana

△BRĪDINĀJUMS:

- Slīpripas ar ieliektu centru vai plākšņu diska izmantošanas gadījumā slīpripas aizsargs ir jāuzstāda uz darbarīka tā, lai aizsarga slēgtā daļa vienmēr būtu vērsta operatora virzienā.

Att.9

Uzstādiēt uz vārpstas iekšējo atloku. Novietojiet slīpripu vīrs iekšējā atloka un pieskrūvējiet kontruzgriezni uz vārpstas.

Att.10

Lai pievilktu kontruzgriezni, stingri nospiediet vārpstas bloķētāju, lai vārpsta nevarētu griezties, pēc tam ar kontruzgriežņa atslēgas palīdzību labi pievelciet to pulksteņrādītāja virzienā.

Lai noņemtu slīpripu, izpildiet augstāk aprakstīto uzstādīšanas procedūru apgrieztā secībā.

Virsatloks (papildpiederums)

Modeļiem ar burtu F standarta aprīkojumā ir virsatloks. Lai atskrūvētu kontruzgriezni, vajag tikai 1/3 tā darba, kāds vajadzīgs, skrūvējot parastā veidā.

△UZMANĪBU:

- Neizmantojiet virsatloku modeļiem, kas aprīkoti ar mehānisko bremzi. Citādi tas var atskrūvēties, kad tiek ieslēgta bremze.

Ezynut (papildpiederums) uzstādīšana vai noņemšana

△UZMANĪBU:

- Neizmantojiet Ezynut ar virsatloku vai leņķa slīpmašīnu, kurai modeļa numura beigās ir burts „F”. Šādi atloki ir ļoti biezi, un vārpsta nevar noturēt visu vītni.

Att.11

Uzstādiēt iekšējo atloku, abraziņu ripu un Ezynut uz vārpstas tādā veidā, lai Makita logotips uz Ezynut atrodas ārpusē.

Att.12

Cieši piespiediet vārpstas bloķētāju un pieskrūvējiet Ezynut, griežot abraziņu ripu pulksteņrādītāja virzienā, cik tālu iespējams pagriezt.

Grieziet ārējo gredzenu Ezynut pretēji pulksteņrādītāja virzienam, lai to atskrūvētu.

Att.13

Att.14

PIEZĪME:

- Ezynut var atskrūvēt ar roku, ja bulta atrodas pret ierobu. Pretējā gadījumā atskrūvēšanai nepieciešama kontruzgriežņa uzgriežņatslēga. Ievietojiet vienu uzgriežņatslēgas tapu atverē un pagrieziet Ezynut pretēji pulksteņrādītāja virzienam.

Lokanās ripas (papildpiederums) uzstādīšana un noņemšana

△BRĪDINĀJUMS:

- Ja darbarīkam izmantojat lokano ripu, vienmēr lietojiet komplektā esošo aizsargu. Lietošanas laikā ripa var sadrupt un aizsargs palīdz samazināt ievainojumu gūšanas risku.

Att.15

Ievērojiet norādījumus, kas attiecas uz slīpripu ar ieliektu centru, kā arī vīrs ripas izmantojiet plastmasas paliktni. Skatiet daļu pasūtīšanu šīs rokasgrāmatas lappusē ar piederumu sarakstu.

Abraziņas ripas (papildpiederums) uzstādīšana vai noņemšana

PIEZĪME:

- Izmantojiet slīpmašīnas piederumus, kādi norādīti šajā rokasgrāmatā. Tos jāiegādājas atsevišķi.

Att.16

Uzmontējiet gumijas starplikas uz vārpstas. Uzstādiēt ripu uz gumijas starplikas un uzskrūvējiet pulēšanas kontruzgriezni uz vārpstas. Lai pieskrūvētu pulēšanas kontruzgriezni, stingri piespiediet ass aizslēgu tā, lai vārpsta nevar griezties, tad, izmantojot kontruzgriežņa uzgriežņatslēgu, cieši pievelciet pulksteņa rādītāja virzienā.

Lai noņemtu ripu, izpildiet iepriekš aprakstīto uzstādīšanas procedūru apgrieztā secībā.

Putekļu aizsarga (piederums) uzstādīšana vai noņemšana

△BRĪDINĀJUMS:

- Pirms putekļu aizsarga uzstādīšanas vai noņemšanas vienmēr pārbaudiet, vai darbarīks ir izslēgts un atvienots no strāvas.** To neievērojot var sabojāt darbarīku vai radīt ievainojumus.

Pieejami četri putekļu aizsargi, un katru no tiem izmanto atšķirīgos stāvokļos.

Att.17

Uzstādiēt putekļu aizsargu tā, lai marķējums (A, B, C vai D) ir novietots, kā parādīts attēlā. Ievietojiet tapas atverēs.

Putekļu aizsargu iespējams noņemt ar rokām.

PIEZĪME:

- Iztīriet putekļu aizsargu, kad tas ir aizsērējis ar netīrumiem vai svešķermeņiem. Ja turpināsiet darbu ar aizsērējušu putekļu aizsargu, sabojāsiet darbarīku.

EKSPLUATĀCIJA

⚠️BRĪDINĀJUMS:

- Strādājot ar darbarīku nekad nepielietojiet pārmērīgu spēku. Darbarīka svars rada pietiekošu spiedienu. Pārmērīgs spēks vai spiediens uz darbarīka var izraisīt ripas sagrūšanu, kas ir ļoti bīstami.
- VIENMĒR mainiet ripu, ja slīpēšanas laikā darbarīks nokrita.
- NEKAD nesitiet slīpripu pret apstrādājamo virsmu.
- Izvairieties no ripas lēkāšanas un sadursmes ar šķēršļiem, it īpaši stūru, asu malu utt. apstrādes laikā. Tas var izraisīt kontroles zaudēšanu un atsitieni.
- NEKAD neizmantojiet darbarīku ar koku zāģēšanas asmeņiem un citiem zāģu asmeņiem. Ja šādi asmeņi tiek izmantoti slīpmašīnai, tie bieži rada triecienu, kā rezultātā var tikt zaudēta kontrole pār instrumentu un var tikt iegūti savainojumi.

⚠️UZMANĪBU:

- Nekad neieslēdziet darbarīku, kamēr tas pieskaras apstrādājamai virsmai, jo tas var novest pie traumas gūšanas.
- Darba laikā vienmēr lietojiet aizsargbrilles vai sejas aizsargmasku.
- Pēc darba pabeigšanas vienmēr slēdziet darbarīku ārā un uzgaidiet, kamēr ripa pilnīgi apstāsies pirms nolieciat darbarīku.

Slīpēšana un nolīdzināšana

Att.18

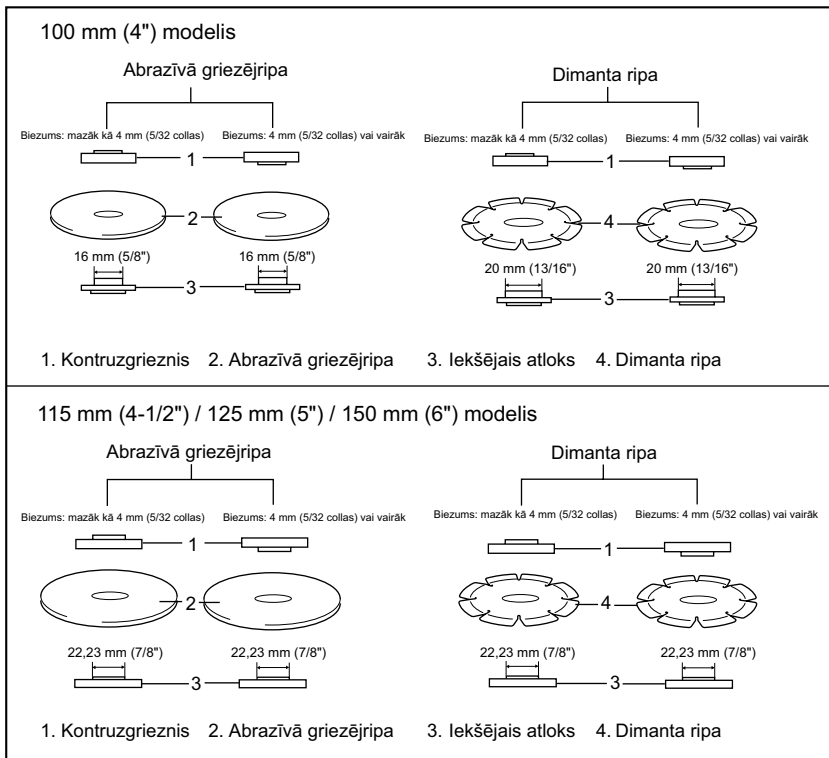
VIENMĒR stingri turiet darbarīku ar vienu roku aiz korpusa un ar otru aiz sānu roktura. Ieslēdziet darbarīku un sāciet apstrādāt detaļu ar slīpripas vai diska palīdzību. Turiet slīpripas vai diska malu apmēram 15° leņķī pret apstrādājamo virsmu.

Uzsākot darbu ar jaunu slīpripu, nestrādājiet ar slīpmašīnu B virzienā, citādi tā var ieurbties apstrādājamajā virsmā. Kad slīpripas mala lietošanas gaitā ir noapaļota, slīpripu var izmantot darbam abos – A un B – virzienos.

Darbība ar abrazīvu atgriešanas/dimanta ripu (papildpiederums)

Att.19

Kontruzgriežņa un iekšējā atloka uzstādīšanas virziens ir atšķirīgs atkarībā no ripas biezuma. Skatiet tabulu turpmāk.



012746

⚠️BRĪDINĀJUMS:

- Izmantojot abrazīvu atgriešanas/ dimanta ripu, lietojiet tikai īpašu ripas aizsargierīci, kas paredzēta atgriešanas ripām. (Dažās Eiropas valstīs, izmantojot dimanta ripu, var lietot parasto aizsargu. Ievērojiet savas valsts noteikumus.)
- NEKAD NELIETOJĪET griezējripu sānu slīpēšanai.
- Neieķīlējiet ripu un nepielietojiet pārmērīgu spiedienu. Nemēģiniet veikt pārmērīgu dziļuma griezumā. Ripas pārspriegošana palielina slodzi un uzņēmību pret ripas savērpsanos vai aizķeršanos griezumā, kā arī atsitiena, ripas salūšanas un dzinēja pārkarsēšanas iespējamību.
- Nesāciet griešanas darbību, darbarīkam atrodoties apstrādājamajā virsmā. Ļaujiet ripai sasniegt pilnu

ātrumu un uzmanīgi ievietojiet to griezumā, virzot darbarīku uz priekšu pāri apstrādājamā materiāla virsmai. Ripa var aizķerties, izvirzīties augšup vai veikt atsitenu, ja mehānizētais darbarīks tiek iedarbināts, kamēr tā atrodas apstrādājamajā virsmā.

- Nekad nemainiet slīpripas leņķi frēzēšanas laikā. Veicot sānu spiedienu uz griezējripu (kā, piemēram, slīpējot), ripa var saplaisāt un salūzt, radot nopietnus ievainojumus.
- Dimanta ripa jālieto perpendikulāri griežamajam materiālam.

Ekspluatācija ar bļodveida stieplu suku (papildpiederums)

⚠UZMANĪBU:

- Pārbaudiet sukas darbību, iedarbinot darbarīku bez slodzes un nodrošinot, lai sukas priekšā vai sānos neviens neatrastos.
- Neizmantojiet suku, kas ir bojāta vai nav balansēta. Bojātas sukas izmantošana var palielināt ievainojumu, ko rada salauztas sukas stieples, iespēju.

Att.20

Atvienojiet darbarīku no strāvas un novietojiet otrādi, nodrošinot vienkāršu piekļuvi vārpstai. No vārpstas noņemiet visus piederumus. Uzstādiet bļodveida stieplu suku uz ass un pieskrūvējiet ar komplektā esošo uzgriežņu atslēgu. Izmantojot suku, to pārmērīgi nespiediet, jo tas var radīt stieplu saliekšanos, kas izraisa priekšlaicīgu salūšanu.

Ekspluatācija ar stieplu sukas ripu (papildpiederums)

⚠UZMANĪBU:

- Pārbaudiet stieplu sukas ripas darbību, iedarbinot darbarīku bez slodzes un nodrošinot, lai stieplu sukas ripas priekšā vai sānos neviens neatrastos.
- Neizmantojiet stieplu sukas ripu, kas ir bojāta vai nav balansēta. Bojātas stieplu sukas ripas izmantošana var palielināt ievainojumu, ko rada salauztas stieples, iespēju.
- Lietojot stieplu sukas ripu, VIENMĒR izmantojiet aizsargu, nodrošinot, ka ripas diametrs atbilst aizsarga iekšpusei. Lietošanas laikā ripa var sadrupēt un aizsargs palīdz samazināt ievainojumu gūšanas risku.

Att.21

Atvienojiet darbarīku no strāvas un novietojiet otrādi, nodrošinot vienkāršu piekļuvi asij. No ass noņemiet visus piederumus. Uzskrūvējiet stieplu sukas ripu uz ass un pieskrūvējiet ar uzgriežņu atslēgu. Izmantojot stieplu sukas ripu, to pārmērīgi nespiediet, jo tas var radīt stieplu saliekšanos, kas izraisa priekšlaicīgu saplīšanu.

APKOPE

⚠UZMANĪBU:

- Pirms veicat pārbaudi vai apkopi vienmēr pārlicinieties, vai instruments ir izslēgts un atvienots no barošanas.
- Nekad neizmantojiet gāzoliņu, benzīnu, atšķaidītāju, spirtu vai līdzīgus šķidrumus. Tas var radīt izbalēšanu, deformāciju vai plaisas.

Att.22

Darbarīkam un tā iekļūdes un izplūdes atverēm jābūt tīriem. Regulāri tīriet darbarīka gaisa atveres, kā arī visos tajos gadījumos, kad atveres aizsprostojas.

Lai uzturētu izstrādājuma DROŠĪBU un UZTICAMU darbību, remonts, oglekļa suku pārbaude un maiņa, jebkāda cita apkope vai regulēšana jāveic Makita pilnvarotiem apkopes centriem, vienmēr izmantojot Makita rezerves daļas.

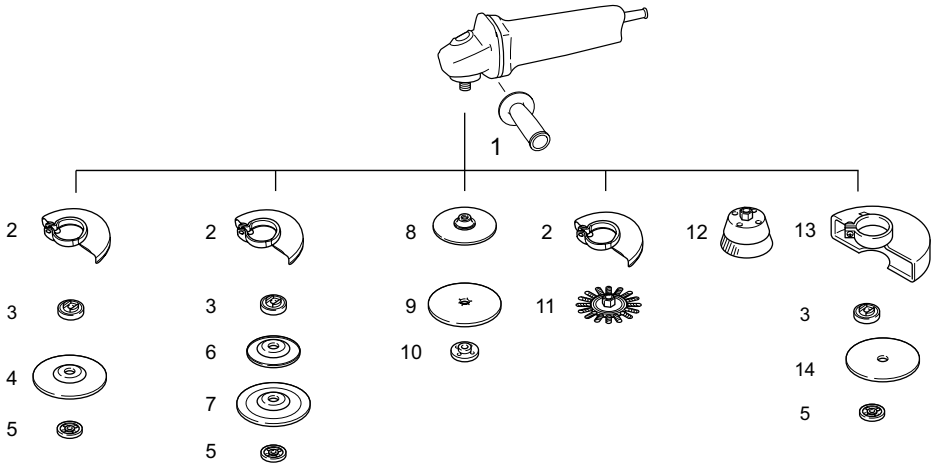
PAPILDU PIEDERUMI

⚠UZMANĪBU:

- Šādi piederumi un rīki tiek ieteikti lietošanai ar šajā pamācībā aprakstīto Makita instrumentu. Jebkādu citu piederumu un rīku izmantošana var radīt traumu briesmas. Piederumu vai rīku izmantojiet tikai tā paredzētajam mērķim.

Ja jums vajadzīga palīdzība vai precīzāka informācija par šiem piederumiem, vērsieties savā tuvākajā Makita apkopes centrā.

- Putekļu vācele



	100 mm (4") modelis	115 mm (4-1/2") modelis	125 mm (5") modelis	150 mm (6") modelis
1	Rokturis 36			
2	Slīpripas aizsargs (slīpēšanas diskam)			
3	Iekšējais atloks	Iekšējais atloks Virsatloks *1	Iekšējais atloks Virsatloks *1	Iekšējais atloks Virsatloks *1
4	Slīpripa ar ieliektu centru/ plāksņu disks			
5	Kontruzgrieznis	Kontruzgrieznis Ezynut *2	Kontruzgrieznis Ezynut *2	Kontruzgrieznis Ezynut *2
6	Plastmasas paliktnis	Plastmasas paliktnis	Plastmasas paliktnis	-
7	Lokanā rīpa	Lokanā rīpa	Lokanā rīpa	-
8	Gumijas paliktnis 76	Gumijas paliktnis 100	Gumijas paliktnis 115	Gumijas paliktnis 125
9	Abrazīva rīpa			
10	Slīpēšanas kontruzgrieznis			
11	Stieplu sukas rīpa			
12	Bļodveida stieplu suka			
13	Slīpripas aizsargs (atgriešanas rīpām) *3			
14	Abrazīva atgriešanas rīpa/dimanta rīpa			
-	Kontruzgriežņa atslēga			

Piezīme:

*1 Neizmantojiet virsatloku ar slīpmašīnu, kas aprīkota ar bremzes funkciju.

*2 Virsatloku un Ezynut neizmantojiet kopā.

*3 Dažās Eiropas valstīs, izmantojot dimanta rīpu, īpašā aizsarga vietā, kas nosedz abas rīpas puses, var lietot parasto aizsargu. Ievērojiet savas valsts noteikumus.

013977

PIEZĪME:

- Daži sarakstā norādītie izstrādājumi var būt iekļauti instrumenta komplektācijā kā standarta piederumi. Tie dažādās valstīs var būt atšķirīgi.

LIETUVIŲ KALBA (Originali naudojimo instrukcija)

Bendrasis aprašymas

1-1. Ašies fiksatorius	9-3. Vidinis kraštas	16-3. Guminis padas
2-1. Stumdomas jungiklis	10-1. Fiksavimo galvutės raktas	17-1. Žymė A
3-1. Indikacinė lemputė (greičio reguliavimo rankenėlė)	10-2. Ašies fiksatorius	17-2. Žymė B
4-1. Greičio reguliavimo diskas	11-1. Įtaisas „Ezynut“	17-3. Žymė C
6-1. Disko saugiklis	11-2. Abrazyvinis diskas	17-4. Žymė D
6-2. Guoliai	11-3. Vidinis kraštas	19-1. Fiksavimo galvutė
6-3. Sraigtas	11-4. Velenas	19-2. Šlifuojamasis pjovimo diskas/deimantinis diskas
7-1. Disko saugiklis	12-1. Ašies fiksatorius	19-3. Vidinis kraštas
7-2. Guoliai	13-1. Rodyklė	19-4. Apsauginis gaubtas šlifuojamajam pjovimo diskui/deimantiniam diskui
7-3. Sraigtas	13-2. Įdubimas	20-1. Vielinis, taurelės formos šepetėlis
7-4. Svirtele	15-1. Fiksavimo galvutė	21-1. Vielinis, disko formos šepetėlis
8-1. Sraigtas	15-2. Lankstus ratukas	22-1. Oro išmetimo anga
8-2. Svirtele	15-3. Plastmasinis padas	22-2. Oro įtraukimo anga
9-1. Fiksavimo galvutė	15-4. Vidinis kraštas	
9-2. Nuspaustas centrinis diskas	16-1. Šlifavimo antveržlė	
	16-2. Šlifavimo diskas	

SPECIFIKACIJOS

Modelis	GA4040C	GA4041C	GA4540C	GA4541C	GA5040C	GA5041C	GA6040C
Disko skersmuo	100 mm (4")		115 mm (4-1/2")		125 mm (5")		150 mm (6")
Maks. disko storis	6,4 mm						
Veleno sriegis	M10		M14 arba 5/8" (priklausomai nuo šalies)				
Nominalusis greitis (n) / greitis be apkrovos (n ₀)	11 000 min ⁻¹		11 000 min ⁻¹		11 000 min ⁻¹		9 000 min ⁻¹
Bendras ilgis	303 mm	325 mm	303 mm	325 mm	303 mm	325 mm	303 mm
Neto svoris	2,3 kg	2,6 kg	2,5 kg	2,7 kg	2,5 kg	2,7 kg	2,6 kg
Saugos klasė	II/II						

• Atliekame nepertraukiamus tyrimus ir nuolat tobuliname savo gaminius, todėl čia pateikiamos specifikacijos gali būti keičiamos be įspėjimo.

• Įvairiose šalyse specifikacijos gali skirtis.

• Svoris pagal Europos elektrinių įrankių asociacijos nustatytą metodiką „EPTA -Procedure 01/2003“

ENE048-1

Naudojimo paskirtis

Įrankis yra skirtas šlifuoti, šlifuoti šlifavimo popieriumi, metalui ir akmeniui pjauti nenaudojant vandens.

ENF002-2

Maitinimo šaltinis

Šį įrankį reikia jungti tik prie tokio maitinimo šaltinio, kurio įtampa atitinka nurodytąją įrankio duomenų plokštelėje; galima naudoti tik vienfazį kintamosios srovės maitinimo šaltinį. Jie yra dvigubai izoliuoti, todėl gali būti naudojami prijungus prie elektros lizdų be atžeminimo laido.

ENG905-1

Triukšmas

Tipiškas A svertinis triukšmo lygis nustatytas pagal EN60745:

Modelis GA4040C, GA4540C, GA5040C

Garso slėgio lygis (L_{PA}): 86 dB (A)

Garso galios lygis (L_{WA}): 97 dB (A)

Paklaida (K) : 3 dB (A)

Modelis GA6040C

Garso slėgio lygis (L_{PA}): 87 dB (A)

Garso galios lygis (L_{WA}): 98 dB (A)

Paklaida (K) : 3 dB (A)

Modelis GA4541C

Garso slėgio lygis (L_{PA}): 83 dB (A)

Garso galios lygis (L_{WA}): 94 dB (A)

Paklaida (K) : 3 dB (A)

Modelis GA5041C

Garso slėgio lygis (L_{PA}): 84 dB (A)

Garso galios lygis (L_{WA}): 95 dB (A)

Paklaida (K) : 3 dB (A)

Dėvėkite ausų apsaugas

Vibracija

Vibracijos bendroji vertė (trijų ašių vektorinė suma) nustatyta pagal EN60745:

Modelis GA4040C

Darbo režimas: paviršiaus šlifavimas su įprasta šonine rankena

Vibracijos skleidimas ($a_{h,AG}$): 5,0 m/s²

Paklaida (K): 1,5 m/s²

Darbo režimas: paviršiaus šlifavimas, naudojant vibracijai atsparią šoninę rankeną

Vibracijos skleidimas ($a_{h,AG}$): 5,0 m/s²

Paklaida (K): 1,5 m/s²

Darbo režimas: diskinis šlifavimas, naudojant įprastą šoninę rankeną

Vibracijos emisija ($a_{h,DS}$): 3,0 m/s²

Paklaida (K): 1,5 m/s²

Darbo režimas: diskinis šlifavimas, naudojant vibracijai atsparią šoninę rankeną

Vibracijos skleidimas ($a_{h,DS}$): 2,5 m/s² arba mažiau

Paklaida (K) : 1,5 m/s²

Modelis GA4540C

Darbo režimas: paviršiaus šlifavimas su įprasta šonine rankena

Vibracijos skleidimas ($a_{h,AG}$): 6,0 m/s²

Paklaida (K): 1,5 m/s²

Darbo režimas: paviršiaus šlifavimas, naudojant vibracijai atsparią šoninę rankeną

Vibracijos skleidimas ($a_{h,AG}$): 5,5 m/s²

Paklaida (K): 1,5 m/s²

Darbo režimas: diskinis šlifavimas, naudojant įprastą šoninę rankeną

Vibracijos emisija ($a_{h,DS}$): 2,5 m/s²

Paklaida (K): 1,5 m/s²

Darbo režimas: diskinis šlifavimas, naudojant vibracijai atsparią šoninę rankeną

Vibracijos emisija ($a_{h,DS}$): 2,5 m/s²

Paklaida (K): 1,5 m/s²

Modelis GA5040C

Darbo režimas: paviršiaus šlifavimas su įprasta šonine rankena

Vibracijos skleidimas ($a_{h,AG}$): 6,5 m/s²

Paklaida (K): 1,5 m/s²

Darbo režimas: paviršiaus šlifavimas, naudojant vibracijai atsparią šoninę rankeną

Vibracijos skleidimas ($a_{h,AG}$): 5,5 m/s²

Paklaida (K): 1,5 m/s²

Darbo režimas: diskinis šlifavimas, naudojant įprastą šoninę rankeną

Vibracijos emisija ($a_{h,DS}$): 2,5 m/s²

Paklaida (K): 1,5 m/s²

Darbo režimas: diskinis šlifavimas, naudojant vibracijai atsparią šoninę rankeną

Vibracijos emisija ($a_{h,DS}$): 2,5 m/s²

Paklaida (K): 1,5 m/s²

Modelis GA6040C

Darbo režimas: paviršiaus šlifavimas su įprasta šonine rankena

Vibracijos skleidimas ($a_{h,AG}$): 6,5 m/s²

Paklaida (K): 1,5 m/s²

Darbo režimas: paviršiaus šlifavimas, naudojant vibracijai atsparią šoninę rankeną

Vibracijos skleidimas ($a_{h,AG}$): 6,0 m/s²

Paklaida (K): 1,5 m/s²

Darbo režimas: diskinis šlifavimas, naudojant įprastą šoninę rankeną

Vibracijos emisija ($a_{h,DS}$): 2,5 m/s²

Paklaida (K): 1,5 m/s²

Darbo režimas: diskinis šlifavimas, naudojant vibracijai atsparią šoninę rankeną

Vibracijos skleidimas ($a_{h,DS}$): 2,5 m/s² arba mažiau

Paklaida (K) : 1,5 m/s²

Modelis GA4541C

Darbo režimas: paviršiaus šlifavimas su įprasta šonine rankena

Vibracijos skleidimas ($a_{h,AG}$): 6,5 m/s²

Paklaida (K): 1,5 m/s²

Darbo režimas: paviršiaus šlifavimas, naudojant vibracijai atsparią šoninę rankeną

Vibracijos skleidimas ($a_{h,AG}$): 5,5 m/s²

Paklaida (K): 1,5 m/s²

Darbo režimas: diskinis šlifavimas, naudojant įprastą šoninę rankeną

Vibracijos skleidimas ($a_{h,DS}$): 2,5 m/s² arba mažiau

Paklaida (K) : 1,5 m/s²

Darbo režimas: diskinis šlifavimas, naudojant vibracijai atsparią šoninę rankeną

Vibracijos skleidimas ($a_{h,DS}$): 2,5 m/s² arba mažiau

Paklaida (K) : 1,5 m/s²

Modelis GA5041C

Darbo režimas: paviršiaus šlifavimas su įprasta šonine rankena

Vibracijos skleidimas ($a_{h,AG}$): 7,0 m/s²

Paklaida (K): 1,5 m/s²

Darbo režimas: paviršiaus šlifavimas, naudojant vibracijai atsparią šoninę rankeną
Vibracijos skleidimas ($a_{h,AG}$): $6,0 \text{ m/s}^2$
Paklaida (K): $1,5 \text{ m/s}^2$

Darbo režimas: diskinis šlifavimas, naudojant įprastą šoninę rankeną
Vibracijos skleidimas ($a_{h,DS}$): $2,5 \text{ m/s}^2$ arba mažiau
Paklaida (K) : $1,5 \text{ m/s}^2$

Darbo režimas: diskinis šlifavimas, naudojant vibracijai atsparią šoninę rankeną
Vibracijos skleidimas ($a_{h,DS}$): $2,5 \text{ m/s}^2$ arba mažiau
Paklaida (K) : $1,5 \text{ m/s}^2$

ENG902-1

- Paskelbtasis vibracijos emisijos dydis nustatytas pagal standartinį testavimo metodą ir jį galima naudoti vienam įrankiui palyginti su kitu.
- Paskelbtasis vibracijos emisijos dydis taip pat gali būti naudojamas preliminariai įvertinti vibracijos poveikį.
- Paskelbtasis keliamos vibracijos dydis galioja naudojant šį elektrinį įrankį pagrindiniams, numatytiems darbams atlikti. Tačiau, jeigu įrankis naudojamas kitiems darbams atlikti, keliamos vibracijos dydis gali būti kitoks.

⚠️ ĮSPĖJIMAS:

- Faktiškai naudojant elektrinį įrankį, keliamos vibracijos dydis gali skirtis nuo paskelbtojo dydžio, priklausomai nuo būdų, kuriais yra naudojamas šis įrankis.
- Siekiant apsaugoti operatorių, būtina įvertinkite saugos priemones, remdamiesi vibracijos poveikio įvertinimu esant faktinėms naudojimo sąlygoms (atsižvelgdami į visas darbo ciklo dalis, pavyzdžiui, ne tik kiek laiko įrankis veikia, bet ir kiek kartų jis yra išjungiamas bei kai jis veikia be apkrovų).

ENH101-16

Tik Europos šalims

ES atitikties deklaracija

Mes, „Makita Corporation“ bendrovė, būdami atsakingas gamintojas, pareiškiame, kad šis „Makita“ mechanizmas(-ai):

Mechanizmo paskirtis:

Kampinis šlifuko

Modelio Nr./ tipas: GA4040C, GA4540C, GA5040C, GA6040C, GA4541C, GA5041C

priklauso serijinei gamybai ir

Atitinka šias Europos direktyvas:

2006/42/EC

Ir yra pagamintas pagal šiuos standartus arba normatyvinius dokumentus:

EN60745

Techninė dokumentacija saugoma:

Makita International Europe Ltd.

Technical Department,

Michigan Drive, Tongwell,

Milton Keynes, Bucks MK15 8JD, England (Anglija)

30.8.2011



000230

Tomoyasu Kato

Direktorius

Makita Corporation

3-11-8, Sumiyoshi-cho,

Anjo, Aichi, 446-8502, JAPAN (Japonija)

GEA010-1

Bendrieji perspėjimai darbui su elektriniais įrankiais

⚠️ ĮSPĖJIMAS Perskaitykite visus saugos įspėjimus ir instrukcijas. Nesilaikydami žemiau pateiktų įspėjimų ir instrukcijų galite patirti elektros smūgį, gaisrą ir/arba sunkų sužeidimą.

Išsaugokite visus įspėjimus ir instrukcijas, kad galėtumėte jas peržiūrėti ateityje.

GEB033-7

SAUGOS ĮSPĖJIMAI DĖL ŠLIFUOTUVO NAUDOJIMO

Bendri saugos įspėjimai atliekant šlifavimo, šlifavimo šlifavimo popieriumi, šveitimo vieliniu šepetėliu ir abrazyvinio pjaustymo darbus:

1. Šis elektrinis įrankis skirtas naudoti kaip šlifavimo staklės, šlifuo tuvas šlifavimo popieriumi, vielinis šepetys ar pjaustymo įrankis. Skaitykite visus prie šio elektrinio įrankio pridėtus saugos įspėjimus, instrukcijas, iliustracijas ir techninius reikalavimus. Dėl žemiau pateiktų instrukcijų nesilaikymo gali kilti elektros smūgio, gaisro ir / arba sužeidimo pavojus.
2. Su šiuo elektriniu įrankiu nerekomenduojama atlikti tokių darbų kaip poliravimas. Jei elektrinis įrankis naudojamas ne pagal paskirtį, gali kilti pavojus ir galima susižeisti.
3. Nenaudokite priedų, kurie nėra specialiai sukurti ir rekomenduojami įrankio gamintojo. Vien dėl to, kad priedą įmanoma pritaisyti prie jūsų elektrinio įrankio, tai negali užtikrinti saugios eksploatacijos.
4. Nominalusis priedo greitis turi būti bent jau lygus maksimaliam greičiui, nurodytam ant elektrinio įrankio. Priedai, kurie veikia greičiau už nominalųjį greitį, gali sulūžti ir atsiskirti.

5. Jūsų priedo išorinis skersmuo bei storumas neturi viršyti jūsų elektrinio įrankio talpos duomenų. Neteisingai išmatuoti priedai negali būti pakankamai saugomi ir valdomi.
6. Srieginių priedų jungiamoji dalis privalo atitikti šlifavimo veleno sriegį. Priedų, montuojamų naudojant junges, angos velenui dydis privalo tiksliai atitikti jungės fiksavimo skersmenį. Priedai, kurių dydis neatitinka elektrinio įrankio dalių, prie kurių jie yra montuojami, dydžio, išbalansuos įrankį, sukels pernelyg didelę vibraciją bei įrankio valdymo praradimą.
7. **Nenaudokite pažeistų priedų. Kiekvieną kartą prieš naudodami įrankį patikrinkite jo priedus, pvz., ar šlifavimo diskai nenudaužyti ir nesutrūkę, ar nėra atraminių padėklų įtrūkių, plyšių ar jie ne per daug nusidėvėję, ar nėra iškritusių vielinio šepetio vielų ir ar jos nenulūžusios. Jei elektrinis įrankis ar jo priedas buvo numestas, patikrinkite, ar nėra pažeidimų arba naudokite nepažeistą priedą. Patikrinę ir sumontavę priedą patys būkite ir aplinkiniams nurodykite būti toliau nuo besisukančių priedų ir paleiskite įrankį veikti didžiausiu nulinės apkrovos greičiu 1 minutę.** Paprastai sugadinti priedai tokio patikrinimo metu iškrenta.
8. **Dėvėkite asmeninės apsaugos aprangą. Priklausomai nuo pritaikymo, naudokite apsauginį veido skydelį, tamsius arba apsauginius akinius. Kaip pridera, dėvėkite priešdulkinę puskaukę, klausos apsaugą, pirštines ir dirbtuvės prijuostę, sulaikančią smulkius abrazyvus ar ruošinio skeveldras.** Akių apsauga turi sulaikyti skriejančias nuolaužas, susidariusias įvairių operacijų metu. Priešdulkinė puskaukė arba respiratorius turi filtruoti dalelytes, susidariusias jums vykdant operacijas. Dėl intensyvaus ilgalaikio triukšmo galima prarasti klausą.
9. **Laikykite stebinčiuosius toliau nuo darbo vietos. Kiekvienas, užėmantis į darbo vietą, turi dėvėti asmeninę apsaugos aprangą.** Ruošinio ar sulūžusio priedo skeveldros gali nuskrietti toliau ir sužeisti asmenis už tuo metu vykdomos operacijos zonos.
10. **Atlikdami darbus, kurių metu pjovimo antgalis galėtų užkliudyti nematomą laidą arba savo paties laidą, laikykite elektrinius įrankius tik už izoliuotą paviršių.** Pjovimo antgaliui prisilietus prie „gyvo“ laido, neizoliuotos metalinės elektrinio įrankio dalys gali sukelti elektros smūgį ir nutrenkti operatorių.
11. **Saugiai atitraukite laidą nuo greitai besisukančio priedo.** Jei netektumėte savitvardos, galite perkirsti ar užkliudyti laidą, o jūsų plaštaką arba ranką gali įtraukti greitai besisukantis priedas.
12. **Niekada nepadėkite šio elektrinio įrankio, kol jo priedas nėra visiškai sustojęs.** Greitai besisukantis priedas gali užkabinti paviršių ir jūs galite nebesuvaldyti elektrinio įrankio.
13. **Nenaudokite elektrinio įrankio laikydami jį sau prie šono.** Greitai besisukantis priedas gali atsitiktinai užkabinti jūsų drabužius ir jus sužaloti.
14. **Reguliariai išvalykite elektrinio įrankio oro ventiliacijos angas.** Variklio ventiliatorius traukia dulkes á korpuso vidų ir dėl per didelės metalo dulkių sankaupę gali kilti su elektros áranga susijęs pavojus.
15. **Nenaudokite elektrinio įrankio būdami netoliese degių medžiagų.** Nuo kibirkščių degiosios medžiagos gali užsidegti.
16. **Nenaudokite priedų, kuriems reikalingi skysti aušinimo skysčiai.** Naudojant vandenį ar kitą skystį gali ištikti mirtina elektros trauma ar elektros smūgis.

Atatrankos ir su ja susiję išpėjimai

Atatranka yra staigi reakcija į suspaustą arba sugriebtą besisukančią diską, atraminį padėklą, šepetį ar kitą priedą. Suspaudimas arba sugriebimas sukelia staigų besisukančio priedo sulaikymą, dėl kurio nevaldomas elektrinis įrankis sulaikymo taške verčiamas judėti priešinga priedo sukimosi kryptimi. Pavyzdžiui, jeigu šlifavimo diską suspaudžia ruošinys, disko kraštas, kuris patenka į suspaudimo tašką, gali atsibesti į medžiagos paviršių ir dėl to diskas atšoks. Diskas gali atšokti į operatorių arba nuo jo; tai priklauso nuo disko sukimosi krypties suspaudimo metu. Šlifavimo diskas tokiomis sąlygomis gali ir sulūpti. Atatranka yra piktnaudpiavimo elektriniu įrankiu ir (arba) netinkamą darbo procedūrą ar sąlygų rezultatas, jos galima išvengti vadovaujantis toliau nurodytomis atsargumo priemonėmis.

- a) **Tvirtai laikykite elektrinį įrankį ir stovėkite taip, kad jūsų kūnas bei ranka netrukdytų priešintis atatrankos jėgoms.** **Visada naudokite papildomą rankeną, jei tokia yra, kad įjungimo metu galėtumėte maksimaliai valdyti atatranką ar sukamojo momento reakcijas.** Operatorius gali valdyti sukamojo momento reakciją bei atatrankos jėgą, jei imasi atitinkamų atsargumo priemonių.
- b) **Niekada nelaikykite rankos šalia besisukančio priedo.** Priedas gali atsitrengti į jūsų ranką.
- c) **Nebūkite toje zonoje, á kurią elektrinis árankis judės, jei atatranka ávyks.** Atatranka pastums áranká priešinga disko sukimosi kryptimi suspaudimo taðke.
- d) **Ypatingai saugokitės apdirbdami kampus, ástrius kraštus ir t.t. Stenkitės priedo nesutrenkti ir neužkliudyti.** Besisukantis priedas gali užsikabinti ar atsitrengti į kampus, ástrius kraštus ir sukelti atatranką, o dėl to galima nebesuvaldyti įrankio.

e) **Nenaudokite pjūklo grandinės su medį raizančiais ašmenimis ar dantytos pjūklo grandinės.** Tokie ašmenys gali sukelti dažnas atatrakas ir valdymo praradimą.

Specialūs saugos įspėjimai atliekant šlifavimo ir abrazyvinio pjaustymo darbus:

a) **Naudokite tik tuos diskus, kurie rekomenduojami naudoti su jūsų elektriniu įrankiu, ir specialią tam diskui skirtą apsaugą.** Diskai, kurie netinka elektriniam įrankiui, negali būti tinkamai apsaugoti ir yra nesaugūs.

b) **Sumontuotų diskų su išpaustu centru šlifavimo paviršius privalo būti žemiau apsauginio gaubto krašto plokštumos.** Netinkamai sumontuotas diskas, kuris kyšo pro apsauginio gaubto krašto plokštumą, negali būti tinkamai apsaugotas.

c) **Apsauginis gaubtas turi būti tinkamai pritvirtintas prie elektrinio įrankio ir didžiausio saugumo sumetimais uždėtas, kad kuo mažesnė disko dalis galėtų paveikti operatorių.** Apsauginis gaubtas padeda apsaugoti operatorių nuo atskilusių disko dalelių ir netyčinio prisilietimo prie disko bei žiežirbų, kurios gali uždegti drabužius.

d) **Diskai turi būti naudojami tik pagal rekomenduojamą paskirtį. Pavyzdys: nešlifukite pjovimo disko šonu.** Abrazyviniai pjovimo diskai skirti periferiniam galandimui, šoninės jėgos juos gali suskaldyti.

e) **Visada naudokite tik nesugadintas diskų junges – pasirinktam diskui tinkamo dydžio bei formos.** Tinkamos diskų jungės prilaiko diską, mažindamos disko trūkimo galimybę. Pjovimo diskams skirtos jungės gali būti visai kitokios nei šlifavimo diskų jungės.

f) **Nenaudokite nuo galingų įrankių nuimtų nesidėvėjusių diskų.** Didesniems elektriniams įrankiams skirti diskai netinka greičiau besisukančiam mažesniai įrankiui: jie gali sutrūkinėti į tūkstančius dalių.

Papildomi specialūs saugos įspėjimai atliekant abrazyvinio pjaustymo darbus:

a) **Nesukelkite pjovimo disko strigties ir nenaudokite per didelio spaudimo. Nesistenkite padaryti itin gilaus pjūvio.** Per didelis spaudimas padidina apkrovą ir disko pjūvyje persikreipimo ar upstrigtimo tikimybę bei atatrakas ar disko lūpimo galimybę.

b) **Nebūkite besisukančio disko zonoje.** Kai diskas veikimo metu juda nuo jūsų kūno, galima atatranka gali pastumti besisukančią diską ir elektrinį įrankį tiesiai į jus.

c) **Kai diskas užstrigo arba kai pjovimas dėl kitų priežasčių nutraukiamas, išjunkite elektrinį įrankį ir nejudinkite jo, kol diskas visiškai nenustos sukstis. Niekada nebandykite išimti pjovimo disko iš pjūvio, kai diskas sukasi, nes**

gali susidaryti atatranka. Ištrinkite ir imkitės tinkamų veiksmų, kad pašalintumėte disko užstrigtimo priežastį.

d) **Nepradėkite iš naujo pjauti, kai diskas ruošinyje. Leiskite, kad diskas pasiektų visą greitį ir tik tada atsargiai įleiskite jį į pjūvį.** Diskas gali įstrigti, iššokti arba atšokti, jeigu elektrinis įrankis bus iš naujo paleistas diskui esant ruošinyje.

e) **Plokštes ar kitus per didelio dydžio ruošinius paremkite ir taip sumažinkite pavojų, kad diskas bus suspaustas ir atšoks.** Dideli ruošiniai linksta dėl savo pačių svorio. Atramas reikia dėti po ruošiniu netoli pjovimo linijos ir greta ruošinio briaunos iš abiejų disko pusių.

f) **Būkite ypač atsargūs, kai darote „kišeninį“ pjūvą sienose ar kituose akluose plotuose.** Išsikišantis diskas gali perpjauti dujų ar vandens vamzdžius, elektros laidus ar objektus, kurie gali sukelti atatranką.

Specialūs saugos įspėjimai atliekant šlifavimo darbus šlifavimo popieriumi:

a) **Nenaudokite itin didelio dydžio šlifavimo disko popieriaus. Laikykitės gamintojo rekomendacijų, kai renkatės šlifavimo popierių.** Didesnis šlifavimo popierius, kuris išsikiša už šlifavimo padėklo ribų, gali sukelti įplėšimo pavojų, dėl to gali lūžti diskas arba įvykti atatranka.

Specialūs saugos įspėjimai dirbant su vieliniu šepetčiu:

a) **Išidėmėkite, kad vielos šereliai krenta iš šepetčio netgi įprasto naudojimo metu. Nespauskite per daug šerelių, naudodami didelę jėgą šepetčiui.** Vieliniai šereliai gali lengvai pradurti ploną drabužių ir / arba odą.

b) **Jeigu rekomenduojama naudoti šepetčio apsaugą, neleiskite, kad vielinis diskas ar šepetys būtų naudojami be apsaugos.** Vielinio disko ar šepetčio skersmuo dėl darbinio krūvio ir išcentrinų jėgų poveikio gali padidėti.

Papildomi saugos perspėjimai:

17. **Naudodami nesuspaustus centrinius šlifavimo diskus, būtinai naudokite tik stiklo pluoštu sustiprintus diskus.**
18. **Su šiuo šlifukliu NIEKADA NENAUDOKITE taurelės formos akmeninio šlifavimo disko.** Šis šlifuklis nėra skirtas naudoti su šio tipo diskais, todėl naudojant tokį gaminį galima sunkiai susižeisti.
19. **Nepažeiskite veleno, jungės (ypač montavimo paviršiaus) ir fiksavimo galvutės.** Dėl šių dalių pažeidimų gali lūžti diskas.
20. **Prieš įjungdami jungiklį patikrinkite, ar diskas nesiliečia su ruošiniu.**
21. **Prieš naudodami įrankį darbui su tikru ruošiniu, kurį laiką įrankį palaikykite įjungtą. Stebėkite, ar nėra vibracijos ar klībėjimo, rodančio blogą surinkimą ar blogai subalansuotą diską.**

22. Šlifavimui naudokite nurodyto paviršiaus diską.
23. Nepalikite veikiančio įrankio. Naudokite įrankį tik laikydami rankomis.
24. Nelieskite ruošinio iškart po naudojimo; jis gali būti itin karštas ir nudeginti odą.
25. Laikykitės gamintojo nurodymų apie teisingą diskų uždėjimą ir naudojimą. Su diskais elkitės ir juos laikykite rūpestingai.
26. Nenaudokite atskirų mažinimo įvorių arba adapterių, skirtų didelių skylių abrazyviniams diskams uždėti.
27. Naudokite tik šiam įrankiui nurodytas junges.
28. Jei naudojate įrankius, kuriems skirti diskai su sriegiu, įsitikinkite, kad sriegis diske yra pakankamai ilgas, kad tiktų veleno ilgis.
29. Patikrinkite, ar ruošinys yra tinkamai palaikomas.
30. Atkreipkite dėmesį, kad išjungus įrankį diskas toliau sukasi.
31. Jei darbo vieta yra ypač karšta ir drėgna, arba labai užteršta laidžiomis dulkėmis, naudokite užtrumpinimo pertraukiklį (30 mA), kad užtikrintumėte naudojimo saugumą.
32. Nenaudokite įrankio su bet kokiomis medžiagomis, kuriose yra asbesto.
33. Kai naudojate pjovimo diską, visuomet dirbkite su dulkes renkančia disko apsauga, kurios reikalauja vietinės taisyklės.
34. Pjovimo diskų negalima spausti iš šonų.

SAUGOKITE ŠIAS INSTRUKCIJAS.

⚠️ ĮSPĖJIMAS:

NELEISKITE, kad patogumas ir gaminio pažinimas (įgyjamas pakartotinai naudojant) susilpnintų griežtą saugos taisyklių, taikytinų šiam gaminiui, laikymąsi. Dėl **NETINKAMO NAUDOJIMO** arba saugos taisyklių nesilaikymo, kurios pateiktos šioje instrukcijoje galima rimtai susižeisti.

VEIKIMO APRAŠYMAS

⚠️ DĖMESIO:

- Prieš reguliuodami įrenginį arba tikrindami jo veikimą visada patikrinkite, ar įrenginys išjungtas, o laido kištukas - ištrauktas iš elektros lizdo.

Ašies fiksatorius

Pav.1

⚠️ DĖMESIO:

- Niekada nejunkite ašies fiksatoriaus, kai velenas juda. Tokiu būdu galima sugadinti įrankį.

Paspauskite ašies fiksatorių, kad velenas nesisuktų, kai dedate ar nuimate priedus.

Jungiklio veikimas

Pav.2

⚠️ DĖMESIO:

- Prieš įjungdami įrankį į elektros tinklą, visuomet patikrinkite, ar stumdomas jungiklis tinkamai įsijungia ir grįžta į išjungimo padėtį „OFF“, kai nuspaudžiamas jungiklio galas.
- Kai įrankis naudojamas ilgą laiko tarpą, operatoriaus patogumui jungiklį galima užfiksuoti „ON“ (Ijungta) padėtyje. Būkite atsargūs, užfiksuodami įrankį „ON“ padėtyje ir tvirtai laikykite įrankio rankeną.

Norėdami įjungti įrankį, pastumkite stumdomą jungiklį į padėtį „I (ON)“, spausdami galinę stumdomo jungiklio dalį. Jei norite dirbti be pertraukų, paspauskite stumdomo jungiklio priekį, kad užfiksuotumėte.

Įrankiui sustabdyti paspauskite stumdomo jungiklio galą, tada nustumkite į išjungimo padėtį „O (OFF)“.

Indikacinė lemputė

Pav.3

Ijungus įrankį, užsidega žalia įjungimo indikacinė lemputė. Jei indikacinė lemputė neužsidega, gali būti nutrukęs maitinimo laidas arba perdegusi indikacinė lemputė. Indikacinė lemputė dega, tačiau įrankis neįsijungia net ir paspaudus įjungimo mygtuką; gali būti susidėvėję angliniai šepetėliai, perdegusi indikacinė lemputė, sugedęs variklis arba neveikia „ON/OFF“ (įjungimo/išjungimo) jungiklis.

Netyčinio pakartotinio paleidimo patikrinimas

Įrankis neįsijungia, kai jungiklis užblokuotas, net jei jis prijungtas prie maitinimo tinklo.

Tuo metu indikacinė lemputė blyksi raudona spalva, rodydama, kad veikia apsaugos nuo netyčinio pakartotinio paleidimo įtaisas.

Norėdami atšaukti apsaugos nuo netyčinio pakartotinio paleidimo funkciją, grąžinkite stumdomą jungiklį į išjungimo padėtį „O (OFF)“.

Greičio reguliavimo diskas

Pav.4

Sukimosi greitį galima keisti pasukant greičio reguliavimo ratuką prie norimo skaičiaus nuo 1 iki 5.

Greitis didėja, kai ratukas sukamas skaičiaus 5 kryptimi, o mažesnis greitis gaunamas sukant skaičiaus 1 kryptimi.

Žr. žemiau pateiktą lentelę, kad pamatytumėte ryšį tarp skaičiaus ant ratuko ir apytikslių sukimosi greitį.

Modeliui GA4040C, GA4540C, GA5040C, GA4041C, GA4541C, GA5041C

Skaičius	min ¹ (apsukos)
1	2 800
2	4 000
3	6 000
4	8 000
5	11 000

012752

Modeliui GA6040C

Skaičius	min ¹ (apsukos)
1	4 000
2	5 000
3	6 000
4	7 000
5	9 000

012756

⚠DĖMESIO:

- Jeigu įrenginys be pertraukos ilgą laiką veikia mažu greičiu, variklis patiria perkrovą ir įkaista.
- Greičio reguliavimo diską galima sukuti tik iki 5 ir atgal iki 1. Nesukite jo toliau, nes gali sutrikti greičio reguliavimo funkcija.

Elektroninė funkcija

Įrenginiais, turinčiais elektroninę funkciją, lengva naudotis dėl toliau nurodytų veikimo savybių.

Nuolatinis greičio reguliavimas

Pastovaus greičio valdiklis užtikrina tinkamą apdailą, palaikant pastovų sukimosi greitį esant apkrovai.

Tolygaus įjungimo funkcija

Tolygus įjungimas slopina įjungimo smūgi.

Perkrovos saugiklis

Viršijus leistiną įrankio apkrovą, variklio maitinimas sumažinamas siekiant apsaugoti variklį nuo perkaitimo. Įrankis veiks įprastai vėl pasiekus leistiną apkrovą.

Mechaninis stabdiklis

Modeliui GA4041C, GA4541C, GA5041C

Mechaninis stabdiklis suaktyvinamas po to, kai įrankis išjungiamas.

Stabdiklis neveikia atjungus maitinimą, bet neišjungus jungiklio.

SURINKIMAS

⚠DĖMESIO:

- Prieš taisydami įrenginį visada patikrinkite, ar jis išjungtas, o laido kištukas - ištrauktas iš elektros lizdo.

Šoninės rankenos montavimas

Pav.5

⚠DĖMESIO:

- Prieš naudodami visuomet įsitikinkite, kad šoninė rankena yra patikimai uždėta.

Prisukite šoninę rankeną patikimai jos vietoje, kaip parodyta paveikslėlyje.

Apsauginio gaubto uždėjimas arba nuėmimas (diskui su įgaubtu centru, poliravimo diskui, lankščiajam diskui, vieliniam disko formos šepetėliui / šlifuojamajam pjovimo diskui, deimantiniam diskui)

⚠ISPĖJIMAS:

- Kai naudojate diską su įgaubtu centru, poliravimo diską, lankstųjį diską arba vielinį disko formos šepetėlį, apsauginis disko gaubtas turi būti uždėtas ant įrankio taip, kad uždaras apsauginio gaubto šonas visuomet būtų atsuktas į operatorių.
- Naudodami šlifuojamąjį pjovimo/deimantinį diską, būtina naudokite tik specialų apsauginį gaubtą, skirtą naudoti su pjovimo diskais. (Tam tikrose Europos šalyse naudojant deimantinį diską, galima naudoti įprastą apsauginį gaubtą. Vadovaukitės jūsų šalyje galiojančiomis taisyklėmis.)

Įrankiui su fiksuojamo varžto tipo disko apsauga

Pav.6

Uždėkite disko apsaugą ant disko apsauginės juostos, išsikišimus sutapdinę su įrantomis ties guolių dėže. Tuomet pasukite disko saugiklį apie 180 ° prieš laikrodžio rodyklę. Būtina patikimai priveržkite varžtą. Jei norite išimti disko saugiklį, laikykitės montavimo procedūros atvirkščia tvarka.

Įrankiui su suveržimo svirties tipo disko apsauga

Pav.7

Atlaisvinę varžtą, stumkite svirtį rodyklės kryptimi. Uždėkite disko apsaugą ant disko apsauginės juostos, išsikišimus sutapdinę su įrantomis ties guolių dėže. Tuomet pasukite disko saugiklį maždaug 180 °.

Pav.8

Pastūmę svirtį rodyklės kryptimi, priveržkite apsauginį disko gaubtą tvirtinimo varžtu. Nustatomą disko apsaugos kampa galima reguliuoti svirtimi.

Jei norite išimti disko saugiklį, laikykitės montavimo procedūros atvirkščia tvarka.

Disko su įgaubtu centru arba poliravimo disko (papildomo priedo) uždėjimas ir nuėmimas

⚠️ISPĖJIMAS:

- Kai naudojate diską su įgaubtu centru arba poliravimo diską, apsauginis disko gaubtas turi būti uždėtas ant įrankio taip, kad uždaras apsauginio gaubto šonas visuomet būtų atsuktas į operatorių.

Pav.9

Uždėkite vidinį kraštą ant veleno. Uždėkite diską ant vidinio krašto ir prisukite fiksatoriaus galvutę ant veleno.

Pav.10

Jei norite priveržti fiksavimo galvutę, stipriai paspauskite ašies fiksatorių taip, kad velenas negalėtų sukstis, tada pasinaudokite fiksavimo galvutės raktu ir patikimai priveržkite pagal laikrodžio rodyklę.

Jei norite nuimti diską, laikykitės uždėjimo procedūros atvirkščia tvarka.

Papildoma jungė (papildomas priedas)

Modeliuose su raide F būna standartiškai sumontuota papildoma jungė. Fiksavimo veržlei atsukti tereikia tik 1/3 pastangų, palyginus su pastangomis, kurių paprastai reikia įprastai veržlei atsukti.

⚠️DĖMESIO:

- Nenaudokite papildomos jungės modeliams, kuriuose būna įrengtas mechaninis stabdys. Antraip, įjungus stabdį, ji gali atsilaisvinti.

Įtaiso „Ezynut“ (pasirenkamo priedo) uždėjimas arba nuėmimas

⚠️DĖMESIO:

- Nenaudokite veržlės „Ezynut“ su papildoma jungė arba kampiniu šlifuoekliu, kurio modelio numerio gale yra raidė „F“. Šios jungės yra tokios storos, kad jų neįmanoma iki galo užsriegti ant veleno.

Pav.11

Uždėkite vidinę jungę, šlifavimo diską ir veržlę „Ezynut“ ant veleno taip, kad ant „Ezynut“ esantis logotipas „Makita“ būtų nukreiptas išorėn.

Pav.12

Tvirtai įspauskite veleno fiksatorių ir priveržkite veržlę „Ezynut“, sukdamai abrazyvinį diską pagal laikrodžio rodyklę tiek, kiek jis suksis.

Norėdami atlaisvinti, sukite išorinį įtaiso „Ezynut“ žiedą prieš laikrodžio rodyklę.

Pav.13

Pav.14

PASTABA:

- Jeigu tik rodyklė nukreipta įrantos link, įtaisą „Ezynut“ galima atsukti rankomis. Kitais atvejais, norint jį atsukti, reikia veržliarakčio. Įkiškite vieną veržliarakčio smaigą į angą ir sukite įtaisą „Ezynut“ prieš laikrodžio rodyklę.

Lankščiojo disko (papildomo priedo) uždėjimas ir nuėmimas

⚠️ISPĖJIMAS:

- Visada naudokite pateiktą apsauginį gaubtą, kai ant įrankio uždėtas lankstusis diskas. Naudojimo metu diskas gali subyrėti, o apsauginis gaubtas sumažina galimybę susižeisti.

Pav.15

Vadovaukitės diskui su įgaubtu centru taikomais nurodymais, bet ant disko taip pat uždėkite plastikinį padą. Žr. uždėjimo eilės tvarką, aprašytą šio vadovo priedų puslapyje.

Šlifavimo disko (pasirenkamo priedo) uždėjimas arba nuėmimas

PASTABA:

- Naudokite šiame vadove išvardintus papildomus šlifavimo priedus. Juos reikia įsigyti atskirai.

Pav.16

Uždėkite ant ašies guminį pagrindą. Uždėkite diską ant guminio pagrindo ir užsukite antveržlę ant veleno. Norėdami priveržti šlifavimo antveržlę, stipriai paspauskite ašies fiksatorių, kad velenas negalėtų sukstis; tada, naudodami antveržlės raktą, tvirtai priveržkite ją, sukdamai pagal laikrodžio rodyklę.

Jei norite nuimti diską, laikykitės uždėjimo procedūros atvirkščia tvarka.

Dulkių gaubto įtaiso (pasirenkamas priedas) sumontavimas ir nuėmimas

⚠️ISPĖJIMAS:

- Prieš uždėdami arba nuimdami dulkių gaubto priedą, visuomet būtinai išjunkite įrankį ir atjunkite jį nuo maitinimo tinklo. Jeigu to nepadarysite, gali sugesti įrankis arba galima sunkiai susižeisti.

Yra keturių rūšių dulkių gaubtai, kurių kiekvienas naudojamas skirtingoje padėtyje.

Pav.17

Nustatykite dulkių gaubto priedą taip, kad žymė (A, B, C arba D) būtų nurodytoje padėtyje. Užfiksuokite kaiščius angose.

Dulkių gaubtą galima nuimti rankomis.

PASTABA:

- Išvalykite dulkių gaubtą, jeigu jame susikaupia dulkių arba pašalinių medžiagų. Tęsiant darbą, kai dulkių gaubtas užkimštas, įrankis gali būti sugadintas.

NAUDOJIMAS

SPĖJIMAS:

- Dirbant su įrankiu niekada nereikėtų naudoti jėgos. Įrankio svoris sukelia pakankamą spaudimą. Jėgos naudojimas ir per didelis spaudimas kelia pavojingo disko lūžimo pavojų.
- VISUOMET pakeiskite diską, jei įrankis iškrito šlifavimo metu.
- NIEKADA nedaužykite šlifavimo disko į ruošinį.
- Venkite disko atšokimų ir užkliuvimų, ypač kai apdorojate kampus, aštirus kraštus ir .t. t. Dėl to galima nesuvaldyti įrankio ir jis gali atšokti.
- NIEKADA nenaudokite įrankio su medžio pjovimo ašmenimis ir kitomis pjūklo geležtėmis. Tokius ašmenis naudojant su šlifotuovu dažnai įvyksta atatranka, dėl kurios įrankis tampa nevaldomas ir gali sužeisti žmogų.

DĖMESIO:

- NIEKADA nejunkite įrankio, kai jis liečiasi su ruošiniu, - įrankio naudotojas gali susižeisti.
- Dirbdami visuomet dėvėkite apsauginius akinius arba veido skydelį.
- Panaudoję įrankį visuomet jį išjunkite ir prieš padėdami įrankį palaukite, kol diskas visiškai sustos.

Šlifavimas ir šlifavimas švitrinu popieriumi

Pav.18

Visuomet laikykite įrankį tvirtai viena ranka ant korpuso ir kita ant šoninės rankenos. Įjunkite įrankį ir tada diską apdirbkite ruošinį.

Apskritai, laikykite disko kraštą maždaug 15° kampu į ruošinio paviršių.

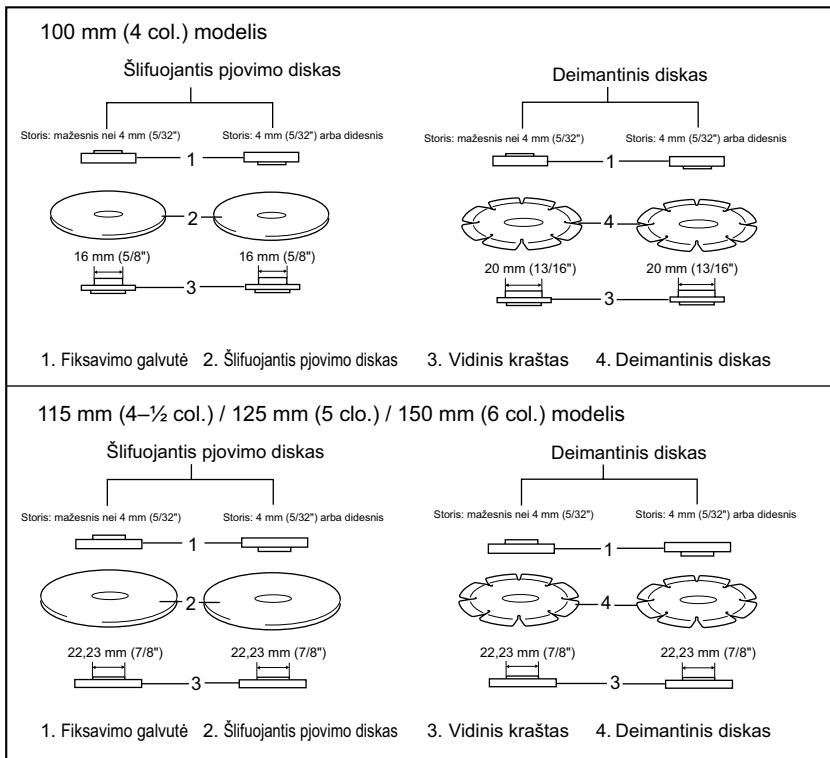
Naujo disko apšilimo laikotarpiu nedirbkite šlifokliu kryptimi B arba jis įpjaus ruošinį. Kai disko kraštas suapvalėja nuo naudojimo, disku galima dirbti abiem – A ir B – kryptimis.

Šlifuojamojo pjovimo disko/deimantinio disko (pasirenkamo priedo) naudojimas

Pav.19

Antveržlės ir vidinių jungių montavimo kryptis priklauso nuo disko storio.

Žr. toliau pateiktą lentelę.



012746

⚠️ ĮSPĖJIMAS:

- Naudodami šlifuojamąjį pjovimo/deimantinį diską, būtinai naudokite tik specialų apsauginį gaubtą, skirtą naudoti su pjovimo diskais. (Tam tikrose Europos šalyse naudojant deimantinį diską, galima naudoti įprastą apsauginį gaubtą. Vadovaukitės jūsų šalyje galiojančiomis taisyklėmis.)
- NIEKADA nenaudokite pjovimo disko šonams šlifuoti.
- Neužstrigdykite disko ir per daug jo nespauskite. Nesistenkite padaryti itin gilaus pjūvio. Per didelis spaudimas padidina apkrovą disko pjūvyje, persikreipimo ar užstrigimo tikimybę bei atitranskos, disko lūžimo ir motoro perkaitimo galimybę.

- Nepradėkite pjauti ruošinyje. Leiskite, kad diskas pasiektų visą greitį, ir tik tada atsargiai įleiskite jį į pjūvį, stumdami jį pirmyn ruošinio paviršiuje. Diskas gali įstrigti, iššokti arba atšokti, jeigu elektrinis įrankis yra paleistas diskui esant ruošinyje.
- Pjaudami niekada nekeiskite disko kampo. Spaudžiant pjovimo diską iš šono (pvz., šlifuojant) diskas gali įtrūkti ar sulūžti, sukeldamas pavojų susižeisti.
- Deimantinį diską reikia naudoti tik nukreipus jį statmenai pjaunamai medžiagai.

Vielinio, taurelės formos šepetėlio (pasirenkamo priedo) naudojimas

⚠DĖMESIO:

- Patikrinkite, kaip veikia šepetėlis, paleidę įrankį veikti be apkrovų ir įsitikinę, kad niekas nestovi priešais arba vienoje linijoje su šepetėliu.
- Nenaudokite apgadinto arba išbalansuoto šepetėlio. Naudojant apgadintą šepetėlį, galima susižeisti, prisilietus prie aplūžusių šepetėlio vielių.

Pav.20

Išjunkite įrankį iš maitinimo tinklo ir padėkite jį apverstai, kad lengvai pasiektumėte veleną. Nuimkite nuo veleno visus priedus. Užsukite ant veleno vielinį, taurelės formos šepetėlį ir priveržkite jį pateiktuju veržliarakčiu. Naudodami šepetėlį, pernelyg nespauskite, kad vielelės nesulinktų ir nesulūžtų prieš laiką.

Vielinio, disko formos šepetėlio (pasirenkamo priedo) naudojimas

⚠DĖMESIO:

- Patikrinkite, kaip veikia vielinis, disko formos šepetėlis, paleidę įrankį veikti be apkrovų ir įsitikinę, kad niekas nestovi priešais arba vienoje linijoje su vieliniu, disko formos šepetėliu.
- Nenaudokite apgadinto arba išbalansuoto vielinio, disko formos šepetėlio. Naudojant apgadintą vielinį, disko formos šepetėlį, galima susižeisti, prisilietus prie aplūžusių šepetėlio vielių.
- Naudodami vielinius, disko formos šepetėlius, VISADA naudokite apsauginį gaubtą, kuriame tilptų atitinkamo skersmens diskas. Naudojimo metu diskas gali subyrėti, o apsauginis gaubtas sumažina galimybę susižeisti.

Pav.21

Išjunkite įrankį iš maitinimo tinklo ir padėkite jį apverstai, kad galėtumėte lengvai pasiekti veleną. Nuimkite nuo veleno visus priedus. Užsukite vielinį, disko formos šepetėlį ant veleno ir priveržkite veržliarakčiais.

Naudodami vielinį, disko formos šepetėlį, pernelyg nespauskite, kad vielelės nesulinktų ir nesulūžtų prieš laiką.

TECHNINĖ PRIEŽIŪRA

⚠DĖMESIO:

- Prieš apžiūrėdami ar taisydami įrenginį visada patikrinkite, ar jis išjungtas, o laido kištukas - ištrauktas iš elektros lizdo.
- Niekada nenaudokite gazolino, benzino, tirpiklio, spirito arba panašių medžiagų. Gali atsirasti išblukimų, deformacijų arba įtrūkimų.

Pav.22

Prižiūrėkite, kad įrankis ir jo oro angos būtų švarios. Reguliariai išvalykite įrankio oro angas arba kai angos pradeda kimštis.

Kad gaminyt būtų SAUGUS ir PATIKIMAS, jį taisyti, apžiūrėti, keisti anginius šepetėlius, atlikti techninės priežiūros darbus arba reguliuoti turi įgaliotasis kompanijos „Makita“ techninės priežiūros centras; reikia naudoti tik tai kompanijos „Makita“ pagamintas atsargines dalis.

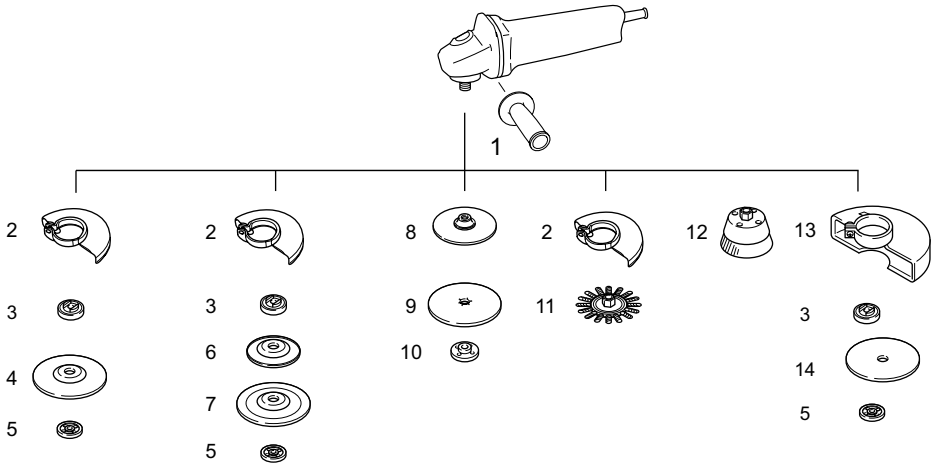
PASIRENKAMI PRIEDAI

⚠DĖMESIO:

- Su šiame vadove aprašytu įrenginiu „Makita“ rekomenduojama naudoti tik nurodytus priedus ir papildomus įtaisus. Jeigu bus naudojami kitokie priedai ar papildomi įtaisai, gali būti sužaloti žmonės. Priedus arba papildomus įtaisus naudokite tik pagal paskirtį.

Jeigu norite daugiau sužinoti apie tuos priedus, kreipkitės į artimiausią „Makita“ techninės priežiūros centrą.

- Dulkių dangčio priedas



	100 mm (4 col.) modelis	115 mm (4-1/2 col.) modelis	125 mm (5 col.) modelis	150 mm (6 col.) modelis
1	Rankena 36			
2	Apsauginis gaubtas (šlifavimo diskui)			
3	Vidinis kraštas	Vidinis kraštas Super jungė *1	Vidinis kraštas Super jungė *1	Vidinis kraštas Super jungė *1
4	Diskas su įgaubtu centru / poliravimo diskas			
5	Fiksavimo galvutė	Fiksavimo galvutė Veržlė „Ezynut“ *2	Fiksavimo galvutė Veržlė „Ezynut“ *2	Fiksavimo galvutė Veržlė „Ezynut“ *2
6	Plastmasinis padas	Plastmasinis padas	Plastmasinis padas	-
7	Lankstus ratukas	Lankstus ratukas	Lankstus ratukas	-
8	Guminis padas 76	Guminis padas 100	Guminis padas 115	Guminis padas 125
9	Šlifavimo diskas			
10	Šlifavimo antveržlė			
11	Vielinis, disko formos šepetėlis			
12	Vielinis, taurelės formos šepetėlis			
13	Apsauginis gaubtas (pjovimo diskui) *3			
14	Šlifuojamasis pjovimo diskas/deimantinis diskas			
-	Fiksavimo galvutės raktas			

Pastaba:

*1 Nenaudokite papildomos jungės su šlifuokliu, turinčiu stabdymo funkciją.

*2 Nenaudokite papildomos jungės ir veržlės „Ezynut“ kartu.

*3 Kai kuriose Europos šalyse naudojant deimantinį diską, vietoje specialaus apsauginio gaubto, dengiančio abu disko kraštus, galima naudoti įprastą apsauginį gaubtą. Vadovaukitės jūsų šalyje galiojančiomis taisyklėmis.

013977

PASTABA:

- Kai kurie sąraše esantys priedai gali būti pateikti įrankio pakuotėje kaip standartiniai priedai. Jie įvairiose šalyse gali skirtis.

EESTI (algsed juhised)

Üldvaate selgitus

1-1. Völlilukk	9-2. Lohkus keskosaga ketas	16-1. Lihvimisketta kontramutter
2-1. Liugurlüüti	9-3. Sisemine flanš	16-2. Lihvketas
3-1. Näidiku tuli (kiiruse reguleerimise valik)	10-1. Fiksaatormutri võti	16-3. Kummist tugiketas
4-1. Kiiruseregulaator	10-2. Völlilukk	17-1. Märgis A
6-1. Kettapiire	11-1. Ezynut	17-2. Märgis B
6-2. Laagriümbris	11-2. Lihvketas	17-3. Märgis C
6-3. Kruvi	11-3. Sisemine flanš	17-4. Märgis D
7-1. Kettapiire	11-4. Völl	19-1. Fiksaatormutter
7-2. Laagriümbris	12-1. Völlilukk	19-2. Lihvketas/teemantketas
7-3. Kruvi	13-1. Nool	19-3. Sisemine flanš
7-4. Hoob	13-2. Sälk	19-4. Lihvketta/teemantketta kettakaitse
8-1. Kruvi	15-1. Fiksaatormutter	20-1. Traatidega kausshari
8-2. Hoob	15-2. Painduv ketas	21-1. Ketastraathari
9-1. Fiksaatormutter	15-3. Plastikust ketas	22-1. Väljalaskeventiil
	15-4. Sisemine flanš	22-2. Sissetõmbeventiil

TEHNILISED ANDMED

Mudel	GA4040C	GA4041C	GA4540C	GA4541C	GA5040C	GA5041C	GA6040C
Ketta läbimõõt	100 mm (4")		115 mm (4-1/2")		125 mm (5")		150 mm (6")
Maksimaalne ketta paksus	6,4 mm						
Võlli keermestus	M10		M14 või 5/8" (sõltuvalt riigist)				
Nominaalne pöörlemissagedus (n) / pöörlemissagedus koormuseta (n ₀)	11 000 min ⁻¹		11 000 min ⁻¹		11 000 min ⁻¹		9 000 min ⁻¹
Kogupikkus	303 mm	325 mm	303 mm	325 mm	303 mm	325 mm	303 mm
Netomass	2,3 kg	2,6 kg	2,5 kg	2,7 kg	2,5 kg	2,7 kg	2,6 kg
Kaitseklass	II/II						

- Meie jätkuva teadus- ja arendustegevuse programmi tõttu võidakse siin antud tehnilisi andmeid muuta ilma ette teatamata.
- Tehnilised andmed võivad olla riigiti erinevad.
- Kaal vastavalt EPTA protseduurile 01/2003

ENE048-1

Kasutuse sihtotstarve

Tööriist on ette nähtud metallide ja kivimaterjali veeta käimiseks, lihvimiseks ja lõikamiseks.

ENF002-2

Toiteallikas

Seadet võib ühendada ainult andmesildil näidatud pingele vastava pingega toiteallikaga ning seda saab kasutada ainult ühefaasilisel vahelduvvoolutoitel. Seadmel on kahekordne isolatsioon ning seega võib seda kasutada ka ilma maandusjuhtmeta pistikupessa ühendatult.

ENG905-1

Müra

Tüüpiline A-korrigeeritud müratase vastavalt EN60745:

Mudel GA4040C, GA4540C, GA5040C

Helirõhu tase (L_{pA}) : 86 dB (A)
Helisurve tase (L_{WA}) : 97 dB (A)
Määramatus (K) : 3 dB (A)

Mudel GA6040C

Helirõhu tase (L_{pA}) : 87 dB (A)
Helisurve tase (L_{WA}) : 98 dB (A)
Määramatus (K) : 3 dB (A)

Mudel GA4541C

Helirõhu tase (L_{pA}) : 83 dB (A)
Helisurve tase (L_{WA}) : 94 dB (A)
Määramatus (K) : 3 dB (A)

Mudel GA5041C

Helirõhu tase (L_{pA}) : 84 dB (A)
Helisurve tase (L_{WA}) : 95 dB (A)
Määramatus (K) : 3 dB (A)

Kandke kõrvakaitsmeid

Vibratsioon

Vibratsiooni koguväärtus (kolmeteljeliste vektorite summa) määratud vastavalt EN60745:

Mudel GA4040C

Töörežiim: pinna lihvimine tavalise külgkäepideme kasutamise

Vibratsiooni emissioon ($a_{h,AG}$): 5,0 m/s²

Määramatus (K): 1,5 m/s²

Töörežiim: pinna lihvimine vibratsioonikindla külgkäepideme kasutamise

Vibratsiooni emissioon ($a_{h,AG}$): 5,0 m/s²

Määramatus (K): 1,5 m/s²

Töörežiim: ketaslihvimine tavalise külgkäepideme kasutamise

Vibratsiooni emissioon ($a_{h,DS}$): 3,0 m/s²

Määramatus (K): 1,5 m/s²

Töörežiim: ketaslihvimine vibratsioonikindla külgkäepideme kasutamise

Vibratsiooni emissioon ($a_{h,DS}$): 2,5 m/s² või vähem

Määramatus (K) : 1,5m/s²

Mudel GA4540C

Töörežiim: pinna lihvimine tavalise külgkäepideme kasutamise

Vibratsiooni emissioon ($a_{h,AG}$): 6,0 m/s²

Määramatus (K): 1,5 m/s²

Töörežiim: pinna lihvimine vibratsioonikindla külgkäepideme kasutamise

Vibratsiooni emissioon ($a_{h,AG}$): 5,5 m/s²

Määramatus (K): 1,5 m/s²

Töörežiim: ketaslihvimine tavalise külgkäepideme kasutamise

Vibratsiooni emissioon ($a_{h,DS}$): 2,5 m/s²

Määramatus (K): 1,5 m/s²

Töörežiim: ketaslihvimine vibratsioonikindla külgkäepideme kasutamise

Vibratsiooni emissioon ($a_{h,DS}$): 2,5 m/s²

Määramatus (K): 1,5 m/s²

Mudel GA5040C

Töörežiim: pinna lihvimine tavalise külgkäepideme kasutamise

Vibratsiooni emissioon ($a_{h,AG}$): 6,5 m/s²

Määramatus (K): 1,5 m/s²

Töörežiim: pinna lihvimine vibratsioonikindla külgkäepideme kasutamise

Vibratsiooni emissioon ($a_{h,AG}$): 5,5 m/s²

Määramatus (K): 1,5 m/s²

Töörežiim: ketaslihvimine tavalise külgkäepideme kasutamise

Vibratsiooni emissioon ($a_{h,DS}$): 2,5 m/s²

Määramatus (K): 1,5 m/s²

Töörežiim: ketaslihvimine vibratsioonikindla külgkäepideme kasutamise

Vibratsiooni emissioon ($a_{h,DS}$): 2,5 m/s²

Määramatus (K): 1,5 m/s²

Mudel GA6040C

Töörežiim: pinna lihvimine tavalise külgkäepideme kasutamise

Vibratsiooni emissioon ($a_{h,AG}$): 6,5 m/s²

Määramatus (K): 1,5 m/s²

Töörežiim: pinna lihvimine vibratsioonikindla külgkäepideme kasutamise

Vibratsiooni emissioon ($a_{h,AG}$): 6,0 m/s²

Määramatus (K): 1,5 m/s²

Töörežiim: ketaslihvimine tavalise külgkäepideme kasutamise

Vibratsiooni emissioon ($a_{h,DS}$): 2,5 m/s²

Määramatus (K): 1,5 m/s²

Töörežiim: ketaslihvimine vibratsioonikindla külgkäepideme kasutamise

Vibratsiooni emissioon ($a_{h,DS}$): 2,5 m/s² või vähem

Määramatus (K) : 1,5m/s²

Mudel GA4541C

Töörežiim: pinna lihvimine tavalise külgkäepideme kasutamise

Vibratsiooni emissioon ($a_{h,AG}$): 6,5 m/s²

Määramatus (K): 1,5 m/s²

Töörežiim: pinna lihvimine vibratsioonikindla külgkäepideme kasutamise

Vibratsiooni emissioon ($a_{h,AG}$): 5,5 m/s²

Määramatus (K): 1,5 m/s²

Töörežiim: ketaslihvimine tavalise külgkäepideme kasutamise

Vibratsiooni emissioon ($a_{h,DS}$): 2,5 m/s² või vähem

Määramatus (K) : 1,5m/s²

Töörežiim: ketaslihvimine vibratsioonikindla külgkäepideme kasutamise

Vibratsiooni emissioon ($a_{h,DS}$): 2,5 m/s² või vähem

Määramatus (K) : 1,5m/s²

Mudel GA5041C

Töörežiim: pinna lihvimine tavalise külgkäepideme kasutamise

Vibratsiooni emissioon ($a_{h,AG}$): 7,0 m/s²

Määramatus (K): 1,5 m/s²

Töörežiim: pinna lihvimine vibratsioonikindla külgkäepideme kasutamise
 Vibratsiooni emissioon ($a_{h,AG}$): $6,0 \text{ m/s}^2$
 Määramatus (K): $1,5 \text{ m/s}^2$

000230



Tomoyasu Kato
 Direktor
 Makita Corporation
 3-11-8, Sumiyoshi-cho,
 Anjo, Aichi, 446-8502, JAPAN

Töörežiim: ketaslihvimine tavalise külgkäepideme kasutamise
 Vibratsioonitase ($a_{h,DS}$): $2,5 \text{ m/s}^2$ või vähem
 Määramatus (K) : $1,5 \text{ m/s}^2$

Töörežiim: ketaslihvimine vibratsioonikindla külgkäepideme kasutamise
 Vibratsioonitase ($a_{h,DS}$): $2,5 \text{ m/s}^2$ või vähem
 Määramatus (K) : $1,5 \text{ m/s}^2$

GEA010-1

Üldised elektritööriistade ohutushoiatused

△ HOIATUS Lugege läbi kõik ohutushoiatused ja juhised. Hoiatuste ja juhiste mittejärgmine võib põhjustada elektrišokki, tulekahju ja/või tõsiseid vigastusi.

Hoidke alles kõik hoiatused ja juhised edaspidisteks viideteks.

GEB033-7

LIHVIJA OHUTUSNÕUDED

Turvahoiatused Tavalised turvahoiatused lihvimiseks, poleerimiseks, terasharjamiseks või abrasiivseteks lõikeoperatsioonideks.

1. See elektritööriist on mõeldud lihvimiseseadme, poleerimisseadme, terasharja või lõiketööriistana kasutamiseks. Lugege kõiki turvahoiatusi, juhiseid, illustratsioone ja spetsifikatsioone, mis selle elektritööriistaga kaasas on. Kõikidest allpool loetletud juhistest mitte kinnipidamine võib põhjustada elektrišoki, tulekahju ja/või tõsiseid vigastusi.
2. Selle elektritööriistaga ei soovitata poleerida. Tööd, mille jaoks elektritööriist ei ole tehtud, võivad olla ohtlikud ja põhjustada vigastusi.
3. Ärge kasutage tarvikuid, mis pole tootja poolt selle tööriista jaoks spetsiaalselt välja töötatud. Tarviku elektritööriistale kinnitamise võimalus ei taga veel selle ohutut tööd.
4. Tarviku nimikiirus peab olema vähemalt võrdne elektritööriistale märgitud maksimaalse kiirusega. Tarvikud, mis töötavad nimikiirusest suuremal kiirusel, võivad katki minna ja laiali lennata.
5. Tarviku välisdiameeter ja paksus peavad vastama elektritööriista nimivõimsusele. Ebasobiva suurusega tarvikuid ei saa nõuetekohaselt kaitsta ega juhtida.
6. Tarviku keermeskinnitus peab vastama lihvmasina võlli keerme suurusele. Äärikutega kinnitatavate tarvikute korral peab tarviku võlliava sobima ääriku fikseeriva läbimõõduga. Kui tarviku moodud ei sobi elektritööriista kinnitussosade mõõtudega, ei püsi need tasakaalus, vibreerivad tugevalt ning võivad põhjustada kontrolli kaotust tööriista üle.

△ HOIATUS:

- Vibratsioonitase võib elektritööriista tegelikkuses kasutamise ajal erineda deklareeritud väärtusest sõltuvalt tööriista kasutamise viisidest.
- Rakendage kindlasti operaatore kaitsmiseks piisavaid ohutusabinõusid, mis põhinevad hinnangulisel müratasemel tegelikus tööolukorras (võttes arvesse tööperioodi kõik osad nagu näiteks korrad, mil seade lülitatakse välja ja mil seade töötab tühikäigul, lisaks tööajale).

ENH101-16

Ainult Euroopa riigid

EÜ vastavusdeklaratsioon

Makita korporatsiooni vastutava tootjana kinnitame, et alljärgnev(ad) Makita masin(ad):

masina tähistus:

Nurklihvikäi

udel nr./tüüp: GA4040C, GA4540C, GA5040C, GA6040C, GA4541C, GA5041C

on seeriatoodang ja

Vastavad alljärgnevatele Euroopa Parlamendi ja nõukogu direktiividele:

2006/42/EC

Ning on toodetud vastavalt alljärgnevatele standarditele või standardiseeritud dokumentidele:

EN60745

Tehnilist dokumentatsiooni hoitakse ettevõttes:

Makita International Europe Ltd.

Technical Department,

Michigan Drive, Tongwell,

Milton Keynes, Bucks MK15 8JD, Inglismaa

7. Ärge kasutage vigast lisatarvikut. Enne iga kasutust kontrollige, et lihvketastel ei oleks laaste ega mõrasid, et tugiketastel ei oleks mõrasid, rebendeid ega liigset kulumust, et terasharjade harjased ei oleks lahtised ega purunenud. Kui elektritööriist või lisatarvik kukub maha, kontrollige, et see ei oleks kahjustunud, või paigaldage kahjustusteta lisatarvik. Pärast lisatarviku kontrolli ja paigaldust minge koos kõrvalseisjatega pöörlevast lisatarvikust eemale ja käitage elektritööriista maksimaalsel koormusvabal kiirusel üheks minutiks. Kahjustatud lisatarvikud lähevad tavaliselt selle testi ajal katki.
 8. **Kandke isikukaitsevahendeid. Olenevalt teostatavast tööst kandke näokaitset, ohutusprille või kaitseprille. Vajadusel kandke tolumumaski, kuulmiskaitsevahendeid, kindaid ja tööpõlle, mis suudab peatada väikesi hõõrdavaid või töödeldava detaili küljest lendavaid osakesi.**Silmakaitsevahend peab suutma peatada erinevate tööprotsesside käigus tekkivaid lendavaid osakesi. Tolmumask või respiraator peavad suutma filtreerida töö käigus tekkivaid osakesi. Pikaajaline viibimine tugeva müra käes võib põhjustada kuulmise halvenemist.
 9. **Hoidke kõrvalseisjad tööalast turvalises kauguses. Kõik, kes sisenevad tööalasse, peavad kandma kaitsevarustust.** Töödeldava detaili või tarvikute osakesed võivad eemale lennata ja põhjustada vigastusi ka väljaspool vahetut tööala.
 10. **Hoidke elektritööriista isoleeritud haardepindadest, kui töötate kohas, kus löikekera võib sattuda kokkupuutesse varjatud juhtmete või seadme enda toitejuhtmega.** Pingestatud juhtmega kokkupuutesse sattunud löikeketas võib pingestada elektritööriista metallosi, mille tagajärjel võib seadme kasutaja saada elektrilöögi.
 11. **Hoidke juhe pöörlevast tarvikust eemal.** Kontrolli kaotamisel võib juhe katkeda või kinni jääda, tõmmates käe või käsivarre pöörlevasse tarvikusse.
 12. **Ärge pange elektritööriista kunagi maha enne, kui tarviku liikumine pole täielikult peatunud.** Pöörlev tarvik võib pinnal liikumist jätkata, põhjustades elektritööriista väljumise teie kontrolli alt.
 13. **Lülitage elektritööriist välja, kui seda oma küljel kannate.** Juhuslik kokkupuude pöörleva tarvikuga võib põhjustada riie kinnijäämist ja tarviku teie kehasse tõmmata.
 14. **Puhastage elektritööriista õhuavasid regulaarselt.** Mootori ventilaator tõmbab tolmu korpusesse ja metallitolmu liigne kogunemine võib põhjustada elektriõhtu.
 15. **Ärge kasutage seadet tuleohtlike materjalide lähedal.** Need materjalid võivad sädemetest süttida.
 16. **Ärge kasutage tarvikuid, mis nõuavad jahutusvedelikke.** Vee või teiste vedelate jahutusvahendite kasutamine võib põhjustada surmava elektrilöögi või -šoki.
- Tagasilöökk ja sellega seotud hoiatused**
- Tagasilöökk on äkiline reaktsioon väändes või pörkuva pöördketta, tugiketta, harja või muu lisatarviku puhul. Väändumine või pörkumine põhjustab kiiret pöörleva lisatarviku vääratamist, mis omakorda sunnib ühenduspunkti juhitamatult elektritööriista pöörlema vastassuunas lisatarviku pöörlemise suunale. Näiteks kui lihvketas pörkus või kiilus töödeldava detaili külge kinni, võib ketta serv, mis siseneb kinnikiilumise kohta, tungida materjalipinda, mis põhjustab ketta väljaliikumise või väljalöögi. Ketas võib kas hüpata edasi või käitajast eemale, sõltuvalt ketta liikumissuunast kinnikiilumise kohas. Lihvketad võivad neis tingimustes samuti puruneda.
- Tagasilöökk onööriista väärkasutuse ja/või valede tööoperatsioonide või tingimuste tulemus, mida on võimalik vältida, järgides alljärgnevaid asjakohaseid ettevaatusabinõusid.
- a) **Hoidke elektritööriista kindlas haardes ja seadke oma keha ja käsivars asendisse, mis võimaldab tagasilöögijuule vastu seista. Kasutage alati abikäepidet, kui see on olemas, etööriista käivitamisel tagasilöögi ja pöördemomendi vastumõju üle kontrolli saavutada.** Asjakohaste ettevaatusabinõude rakendamisel saab operaator tagasilöögi ja pöördemomendi vastumõju kontrollida.
 - b) **Ärge pange kunagi oma kätt pöörleva tarviku lähedale.** Te võite tarvikult tagasilöögi saada.
 - c) **Ärge viibige alas, kus elektritööriist võib tagasilöögi ajal liikuda.** Tagasilöökk panebööriista pörkekohas ketta liikumissuunale vastupidises suunas liikuma.
 - d) **Tegutsege äärmise ettevaatlikkusega nurgade, teravate servadega jms töötamisel. Vältige tarviku tagasipõrkamist ja kinnijäämist.** Nurgad, teravad servad ja tagasipõrkamine on tavaliselt nendeks teguriteks, mis võivad põhjustada pöörleva tarviku kinnijäämist ja kontrolli kaotamist või tagasilööki.
 - e) **Ärge kinnitageööriista külge saeketi puunikerdustera ega hambulist saetera.** Niisugused terad tekitavad sageli tagasilööki ja juhitavuse kadu.
- Spetsiaalsed turvahoiatused lihvimiseks ja abrasiivseteks löikeoperatsioonideks.**
- a) **Kasutage vaid kettatüüpe, mida teie elektritööriistale soovitatakse, ja valitud kettale mõeldud spetsiaalset piiret.** Kettaid, mille jaoks elektritööriist ei olnud mõeldud, ei saa piisavalt kaitsta ja need ei ole turvalised.

b) **Õhema keskosaga lihvketaste lihvipind peab jääma kaitsepiirde tasapinnast allapoole.** Kui ketas on valesti paigaldatud ja ulatub kaitsepiirde tasapinnast välja, ei ole võimalik seda piisavalt kaitsta.

c) **Piire peab olema kindlalt elektritööriista külge kinnitatud ja maksimaalselt tavaliselt paigutatud, nii et käitaja poole jääks kõige väiksem katmata kettapinna osa.** Piire aitab käitajat kaitsta purunenud kettatükkide, kettaga juhuslikku kokkupuutesse sattumise ja rõivaid süüdata võivate sädemete eest.

d) **Kettaid tohib kasutada ainult töödel, milleks need on ette nähtud. Näiteks: ärge kasutage löikeketta külge lihvimiseks.** Abrasiivsed löikekettad on ette nähtud välislihvimiseks, neile kestale rakendatud külgjõud võib need purustada.

e) **Kasutage ainult terveid kettaäärikuid, mis on valitud ketta jaoks sobiva suuruse ja kujuga.** Sobivad kettaäärikud toestavad ketast, vähendades ketta purunemise ohtu. Löikeketaste äärikud võivad lihvketaste äärikutest erineda.

f) **Ärge kasutage suuremate elektritööriistade kulunud kettaid.** Suurema elektritööriista jaoks tehtud ketas ei sobi väiksema tööriista suurema kiirusega ja võib puruneda.

Lisanduvad turvahoitused abrasiivseteks löikeoperatsioonideks.

a) **Ärge „kiiluge“ löikeketast ega rakendage liigset survet. Ärge püüdke teha ülemäärase sügavusega löiget.** Ketta ülesurvestamine suurendab koormust ja ketta väände või ühenduse tundlikkust löikes ning tagasilöögi võimalust või ketta purunemist.

b) **Ärge minge oma kehaga pöörleva kettaga ühele joonele ega selle taha.** Kui ketas liigub käituse ajal teie kehast eemale, võib töönaoline tagasilöök pöördketast ja elektritööriista otse teie suunas liigutada.

c) **Kui ketas on kinni pigistatud või segab mingil põhjusel löikamist, lülitage elektritööriist välja ja hoidke seda liikumatult, kuni ketas peatub täielikult.** Ärge kunagi püüdke eemaldada löikeketast löikest, kui ketas liigub, vastasel juhul võib esineda tagasilöök. Uurige ja tehke parandused ketta kinnikiilumise põhjuse eemaldamiseks.

d) **Ärge taaskäivitage tööriista töödeldavas detailis. Laske kettal jõuda täiskiiirusele ja sisenege hoolikalt uuesti löikesse.** Kui elektritööriist taaskäivitatakse töödeldavas detailis, võib ketas kinni kiiluda, üles liikuda või tagasi pörkuda.

e) **Löiketera kinnikiilumise ja tagasilöögi riski minimeerimiseks toestage paneelid või suuremõtmeline detail.** Suured detailid hakkavad painduma omaeense raskuse all. Toed

tuleb paigutada töödeldava detaili alla löikejoone lähedale ja tooriku serva lähedale ketta mõlemal küljel.

f) **Olge eriti ettevaatlik, kui teete „sukelduslöikamist“ olemasolevates seintes või muudes varjatud piirkondades.** Väljaulatuv löiketera võib löikuda gaasi- või veetorudesse, elektrijuhtmetesse või esemetesse, ning põhjustada tagasilöögi.

Poleerimistöde turvahoitused.

a) **Ärge kasutage liiga suurtes mõõtmetes lihvketta paberit. Lihvpaberi valikul järgige tootja soovitusi.** Lihvklotsist kaugemale ulatuv suurem lihvpaper on rebenemisohtlik ja võib põhjustada ketta kinnijäämist, purunemist või tagasilööki.

Terasharjamise operatsioonide turvahoitused.

a) **Olge teadlikud, et hari viskab traatharjaseid ka tavakäituse ajal. Ärge avaldage terastraatidele liigset pinget harjale liigse koormuse rakendamisega.** Terasharjased võivad lihtsalt kergesse rõivastusse ja/või nahka tungida.

b) **Kui terasharjamisel soovitatakse kasutada piiret, ärge laske teraskettal ega -harjal piirdega kokku puutuda.** Terasketas või -hari võib laieneda läbimõeldult töökoormuse ja tsentrifugaaljõu tõttu.

Lisaturvahoitused:

17. **Kui kasutate nõgusa keskosaga lihvkettaid, veenduge, et kasutate ainult klaaskiuga tugevdatud kettaid.**
18. **ÄRGE KUNAGI kasutage selle lihvijaga koos kauslihvkettaid.** Seda lihvijat ei kasutata koos nimetatud ketastega, sest need võivad põhjustada tõsise kehavigastuse.
19. **Ärge vigastage võlli, äärikut (eriti selle paigalduspinda) ega fiksaatormutrit. Nende osade kahjustused võivad ketta purustada.**
20. **Veenduge, et lihvketas ei puutuks enne tööriista sisselülitamist vastu töödeldavat detaili.**
21. **Enne tööriista kasutamist töödeldaval detailil laske sellel mõnda aega töötada. Jälgige vibratsiooni või vibamist, mis võib tähendada ebaõiget paigaldust või halvasti tasakaalustatud ketast.**
22. **Lihvimist toestage selleks ettenähtud kettapinna osaga.**
23. **Ärge jätkke tööriista käima. Käivitage tööriist ainult siis, kui hoiate seda käes.**
24. **Ärge puutuge töödeldavat detaili vahetult peale töötlemist; see võib olla väga kuum ja põhjustada põletushaavu.**
25. **Ketta õigeks paigaldamiseks ja kasutamiseks järgige valmistajapoolseid juhendeid. Käsitsege ja ladustage kettaid hoolikalt.**
26. **Ärge kasutage suureauguliste lihvketaste kinnitamiseks sobituspukse või adaptereid.**

27. Kasutage ainult äärikuid, mis on mõeldud kasutamiseks koos antud tööriistaga.
28. Tööriistade korral, kus kasutatakse keermestatud auguga kettaid, jälgige, et ketta keeme pikkus oleks piisav völliile kinnitamiseks.
29. Kontrollige, kas töödeldav detail on korralikult kinnitatud.
30. Pöörake tähelepanu asjaolule, et ketas jätkab pöörlemist ka peale tööriista väljalülitamist.
31. Kui töökoht on äärmiselt kuum ja niiske või tugevalt saastatud elektrit juhtiva tolmuga, siis tuleb operaatore ohutuse tagamiseks kasutada lühisvoolukaitset (30 mA).
32. Ärge kasutage tööriista asbesti sisaldavate materjalide töötlemiseks.
33. Kui töötate löikekettaga, siis kasutage alati tolmueemaldusega ketta kaitset, mis vastab kohalikele eeskirjadele.
34. Lõikekettaid ei tohi külgsuunas suruda.

HOIDKE JUHEND ALLES.

⚠HOIATUS:

ÄRGE laske mugavusel või toote kasutamisharjumustel (mis on saadud korduva kasutuse jooksul) asendada vankumatut toote ohutuseeskirjade järgimist. VALE KASUTUS või käesoleva kasutusjuhendi ohutusnõuete eiramine võib põhjustada tõsiseid vigastusi.

FUNKTSIONAALNE KIRJELDUS

⚠HOIATUS:

- Kandke alati hoolt selle eest, et tööriist oleks enne reguleerimist ja kontrollimist välja lülitatud ja vooluvõrgust lahti ühendatud.

Võllilukk

Joon.1

⚠HOIATUS:

- Ärge kasutage kunagi võllilukku ajal, mil võll veel liigub. See võib tööriista kahjustada.

Võlli pöörlemise takistamiseks vajutage võllilukku alati, kui paigaldate või eemaldate tarvikuid.

Lülitati funktsioneerimine

Joon.2

⚠HOIATUS:

- Enne tööriista vooluvõrku ühendamist kontrollige alati, kas liugurlüliti funktsioneerib nõuetekohaselt ja liigub liugurlüliti tagumise osa lahtilaskmisel tagasi asendisse „OFF”.
- Pikemaajalise kasutamisel saab lüliti operaatore mugavuse huvides lukustada sisselülitatud asendisse. Tööriista lukustamisel sisselülitatud asendisse olge ettevaatlik ja hoidke tööriista kindlas haardes.

Tööriista käivitamiseks libistage liugurlüliti asendi „I (ON)” (sisse lülitatud) suunas, lükates liugurlüliti tagaosa. Pidevaks töötamiseks vajutage liugurlüliti hoova eesosa selle lukustamiseks.

Tööriista seiskamiseks vajutage liugurlüliti tagaosa ja seejärel liigutage seda „O (OFF)” (väljas) asendi suunas.

Märgutuli

Joon.3

Roheline toite märgutuli süttib, kui tööriist on vooluvõrku ühendatud. Kui märgutuli ei sütti, on võimalik, et toitejuhe või juhtseade on defektnne. Kui märgutuli põleb, kuid tööriist ei käivitu ka sisselülitamisel, võib põhjuseks olla asjaolu, et süsiharjad on kulunud või juhtseade, mootor või ON/OFF-lüliti on defektsed.

Tahtmatu taaskäivituse tõestus

Tööriist ei käivitu, kui lüliti on lukus, isegi kui tööriist on pistikuga ühendatud.

Sellisel puhul vilgub märgutuli punaselt ja näitab, et tahtmatu taaskäivitamise kinnituse seade töötab.

Tahtmatu taaskäivitamise kinnituse tühistamiseks pöörake liugurlüliti tagasi asendisse „O(OFF)” (Väljas).

Kiiruseregulaator

Joon.4

Pöörlemiskiirust saab muuta, kui pöörata kiiruse regulaatorketast numbritele 1-st 5-ni.

Kiirus suureneb, kui ketas osutab numbrile 5. Kiirus väheneb, kui ketast pöörata number 1 suunas.

Vaadake allpool toodud tabelit, mis selgitab kettale märgitud numbrite ja ligikaudse pöörlemiskiiruse vahelisi seoseid.

Mudelile GA4040C, GA4540C, GA5040C, GA4041C, GA4541C, GA5041C

Number	min* (pööret minutis)
1	2 800
2	4 000
3	6 000
4	8 000
5	11 000

012752

Mudelile GA6040C

Number	min* (pööret minutis)
1	4 000
2	5 000
3	6 000
4	7 000
5	9 000

012756

△HOIATUS:

- Mootor kuumeneb liialt, kui tööriista kaua aega katkestamatult madalal kiirusel kasutatakse. Tööriista selliselt kasutamine koormab mootori üle.
- Kiiruseregulaatorit saab keerata ainult numbrini 5 ja tagasi numbrini 1. Ärge kiiruseregulaatorit jõuga üle 5 või 1 keerata püüdk, sest vastasel korral ei pruugi kiiruse reguleerimise funktsioon enam töötada.

Elektrooniline funktsioon

Elektroonilise funktsiooniga varustatud tööriistu on tänu järgmistele omadustele lihtne kasutada.

Püsikiiruse juhtimine

Püsikiiruse juhtimine tagab suurepärase töötuse, hoides pöörlemiskiirust koormuse rakendamisel ühtlasena.

Sujuvkäivituse funktsioon

Sujuvkäivituse funktsioon surub käivituselöögi alla.

Ülekoormuse kaitse

Kui tööriista koormus ületab lubatava taseme, siis vähendatakse mootori võimsust, kaitsmaks seda ülekuumenemise eest. Kui koormuse lubatav tase taastub, töötab tööriist tavapäraselt.

Mehhaaniline pidur

Mudelile GA4041C, GA4541C, GA5041C

Mehhaaniline pidur aktiveeritakse pärast tööriista väljalülitamist.

Kui elektrivarustus katkestatakse, kuid lüliti jääb endiselt sisselülitatud olekusse, siis pidur ei toimi.

KOKKUPANEK

△HOIATUS:

- Kandke alati enne tööriistal mingite tööde teostamist hoolt selle eest, et see oleks välja lülitatud ja vooluvõrgust lahti ühendatud.

Külgekäepideme (käepide) paigaldamine

Joon.5

△HOIATUS:

- Enne tööd kontrollige alati, kas külgekäepide on kindlalt paigaldatud.

Kruvige külgekäepide kindlalt oma kohale nii, nagu joonisel näidatud.

Kettakaitse (nõgusa keskosaga kettale, lamellkettale, painduvale kettale, ketastraatharjale, lihvkettale, teemantkettale) paigaldamine või eemaldamine

△HOIATUS:

- Kui kasutate nõgusa keskosaga ketast, lamellketast, painduvat ketast või ketastraatharja, tuleb kettakaitse paigaldada tööriista külge nii, et kaitsme kinnine külj jääks alati operaatori poole.
- Kui kasutate lihvimis-/teemantketast, siis kasutage kindlasti ainult spetsiaalset kettakaitset, mis on loodud kasutamiseks lõikeketastega. (Mõnes Euroopa riigis võib teemantketta puhul kasutada tavalist kettakaitset. Järgige oma riigis kehtivaid eeskirju.)

Lukustuskruvi tüüpi kettapiirdega tööriista kohta

Joon.6

Paigaldage kettakaitse selliselt, et kettakaitsme klambri eendid oleksid laagriümbrise sälkudega kohakuti. Seejärel pöörake kettakaitset 180° vastupäeva. Pärast paigaldust pingutage kindlasti kruvi hoolikalt.

Kettapiirde eemaldamiseks, järgige paigaldamise protseduuri vastupidises järjekorras.

Klamberhoova tüüpi kettapiirdega tööriista kohta

Joon.7

Tõmmake hooba pärast kruvi lõdvendamist noole suunas. Paigaldage kettakaitse selliselt, et kettakaitsme klambri eendid oleksid laagriümbrise sälkudega kohakuti. Seejärel pöörake kettakaitset 180°.

Joon.8

Pingutage kettakaitset koos kruvi kinnitamisega pärast hoova tõmbamist noole suunas. Kettakaitsme seadistusnurka saab hoova abil reguleerida.

Kettapiirde eemaldamiseks, järgige paigaldamise protseduuri vastupidises järjekorras.

Nõgusa keskosaga ketta või lamellketta (lisavarustus) paigaldamine või eemaldamine

△HOIATUS:

- Kui kasutate nõgusa keskosaga ketast või lamellketast, tuleb kettakaitse paigaldada tööriista külge nii, et kaitsme kinnine külj jääks alati operaatori poole.

Joon.9

Paigaldage sisemine flanš võllile. Sobitage ketas sisemisele flanšile ja keerake fiksaatormutter võllile.

Joon.10

Fiksaatornutri pingutamiseks suruge tugevalt võlli lukustusnuppu nii, et võll ei saaks pöörelda ning pingutage fiksaatornutrit fiksaatornutri jaoks ettenähtud võtmega päripäeva.

Ketta eemaldamiseks, järgige paigaldamise protseduuri vastupidises järjekorras.

Superäärik (lisavarustus)

Tähega „F“ märgistatud mudelitel on superäärik standardvarustuses. Võrreldes tavalist tüüpi mutritega vajate fiksaatornutri avamisel kolm korda vähem jõudu.

△HOIATUS:

- Ärge kasutage superäärikut mudelitega, mis on varustatud mehhaanilise piduriga. Vastasel juhul võib see piduri aktiveerimisel lahti tulla.

Ezynyti (täiendav lisavarustus) paigaldamine või eemaldamine

△HOIATUS:

- Ärge kasutage Ezynyti koos superääriku või Makita nurklihvijaga, millel on mudelinumbri lõpus „F“. Need äärikud on väga paksud ja kogu keere ei kinnitu võllile.

Joon.11

Paigaldage siseäärik, lihvketas ja Ezynut võllile nii, et Makita logo jääks Ezynutil väljapoole.

Joon.12

Vajutage tugevasti võllilukule ja kinnitage Ezynut, keerates lihvketast päripäeva lõpuni.

Avamiseks pöörake Ezynyti välisrõngast vastupäeva.

Joon.13

Joon.14

MÄRKUS:

- Ezynyti saab avada käsitsi siis, kui nool osutab sälgule. Vastasel korral kasutage avamiseks mutrivõtit. Sisestage mutrivõtme üks sõrm avasse ja pöörake Ezynyti vastupäeva.

Painduva ketta (lisavarustus) paigaldamine ja eemaldamine

△HOIATUS:

- Kasutage alati kaasasolevat kaitset, kui tööriistal on painduv ketas. Töötamise ajal võib ketas kildudeks puruneda ja kaitse aitab vähendada kehavigastuse esinemise võimalust.

Joon.15

Järgige nõgusa keskosaga ketta juhiseid, kuid kasutage kettal ka plastist tugiketast. Vaadake monteerimise järjekorda käesoleva kasutusjuhendi tarvikute leheküljelt.

Lihvketta (täiendav lisavarustus) paigaldamine või eemaldamine

MÄRKUS:

- Kasutage käesolevas kasutusjuhendis nimetatud lihvtarvikuid. Need tuleb osta eraldi.

Joon.16

Paigaldage kummist tugiketas võllile. Sobitage ketas kummist tugiketale ja keerake lihvimise fiksaatornutrit võllile. Lihvimise fiksaatornutri pingutamiseks suruge tugevalt võlli lukustusnuppu nii, et võll ei saaks pöörelda ning pingutage fiksaatornutrit fiksaatornutri jaoks ettenähtud võtmega päripäeva.

Ketta eemaldamiseks järgige paigaldamise protseduuri vastupidises järjekorras.

Tolmukatte moduli (lisatarvik) paigaldamine või eemaldamine

△HOIATUS:

- Enne tolmu kate mooduli paigaldamist või eemaldamist veenduge alati, et tööriist on välja lülitatud ja vooluvõrgust lahti ühendatud. Selle nõude eiramine võib põhjustada tööriista kahjustuse või kehavigastuse.

Tolmukatte mooduleid on nelja tüüpi, neid kõiki kasutatakse erinevates asendites.

Joon.17

Seadke tolmu kate moodul niimoodi, et märgistus (A, B, C või D) asetseks joonisel näidatud viisil. Kinnitage selle tihvtid plöksatades õhuavadesse.

Tolmu kate moodulit saab eemaldada käega.

MÄRKUS:

- Puhastage tolmu kate moodul, kui see on tolmu või võõrkehadega ummistunud. Ummistunud tolmu kate mooduliga töö jätkamine kahjustab tööriista.

TÖÖRIISTA KASUTAMINE

△HOIATUS:

- Ärge kasutage tööriista suhtes kunagi jõudu. Tööriista enda raskus annab piisava surve. Ülemäärane surumine ja surve võivad põhjustada ohtliku ketta purunemise.
- Vahetage ALATI ketas välja siis, kui tööriist on käiairisi ajal maha kukkunud.
- ÄRGE KUNAGI käiaketast lööge vastu töödeldavat detaili.
- Vältige ketta kinikiilumist ja põrkumist vastu töödeldavat pinda, eriti siis, kui töötate nurkades ja teravate servadega jne. See võib põhjustada ohtlike tagasilööke.
- Ärge kasutage tööriista puude saagimise saelehtedega ega muude saelehtedega. Selliste saelehtede kasutamisel lihviijaga need annavad

sageli tagasilöögi ja toovad endaga kaasa kontrolli kadumise, mis viib vigastuste tekkimiseni.

⚠️HOIATUS:

- Ärge kunagi käivitage tööriista, mis on kontaktis töödeldava pinna või detailiga, see võib kaasa tuua ohtlike vigastusi.
- Kandke töö juures alati kaitseprille või näokatet.
- Pärast tööd lülitage tööriist alati välja ja oodake kuni ketas on täielikult seiskunud enne, kui tööriista käest panete.

Käämimise ja lihvimise režiim

Joon.18

Hoidke tööriista ALATI kindlalt ühe käega korpusest ja teisega külgakäepidemest. Lülitage tööriist sisse ja seejärel asetage ketas töödeldavale detailile.

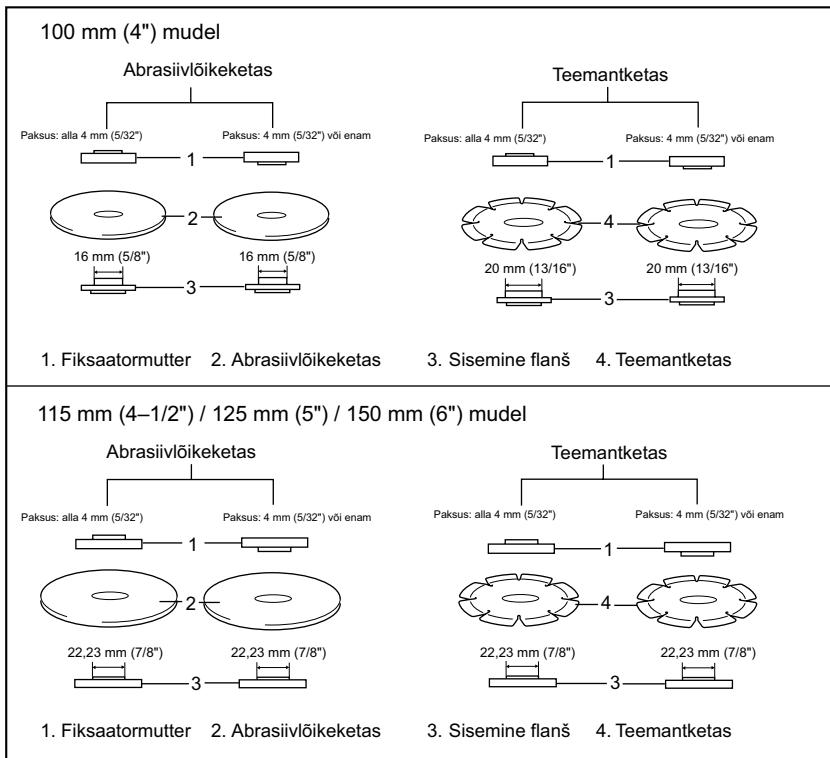
Üldiselt hoidke ketta serva umbes 15 ° nurga all töödeldava detaili pinna suhtes.

Uue ketta sissetöötamise perioodil ärge töötage lihvijaga B suunas, sest vastasel juhul hakkab see töödeldavasse detaili sisse lõikama. Kui ketta serv on töö käigus ümardunud, võib kettast kasutada mõlemas, nii A kui ka B suunas.

Lihvketta/teemantketta (täiendav lisavarustus) käitamine

Joon.19

Kontramutri ja sisemise flanši paigaldussuund sõltub ketta paksusest. Täpsemad andmed leiata alltoodud tabelist.



012746

⚠ HOIATUS:

- Kui kasutate lihvimis-/teemantketast, siis kasutage kindlasti ainult spetsiaalset kettakaitset, mis on loodud kasutamiseks lõikeketastega. (Mõnes Euroopa riigis võib teemantketta puhul kasutada tavalist kettakaitset. Järgige oma riigis kehtivaid eeskirju.)
- ÄRGE KUNAGI kasutage lõikeketast külglihvimiseks.
- Ärge „kiiluge“ lõikeketast ega rakendage liigset survet. Ärge püüdke teha ülemäärase sügavusega lõiget. Ketta ülesurveastamine suurendab koormust ja ketta väände või ühenduse tundlikkust lõikes ning tagasilöögi võimalust või ketta purunemist.

- Ärge käivitage töödeldava detaili lõikeoperatsiooni. Laske kettal jõuda täiskiirusele ja sisenege hoolikalt lõikesse, liigutades tööriista üle töödeldava detaili pinna. Kui elektritööriist käivitatakse töödeldavas detailis, võib ketas võib kinni kiiluda, üles liikuda või tagasi pörkuda.
- Lõikeoperatsiooni käigus ärge muutke kunagi ketta nurka. Lõikeketastele külgsurve rakendamine (nagu lihvimisel) põhjustab ketta mõranemise ja purunemise, mis võib kaasa tuua tõsiseid vigastusi.
- Teemantketast tuleb kasutada lõigatava materjali suhtes ristloodis.

Traatidega kaussharja (täiendav lisavarustus) käitamine

⚠HOIATUS:

- Kontrollige harja tööd, lastes tööriistal tühjalt käia ja kandes hoolt, et keegi ei asuks harja ees või sellega ühel joonel.
- Ärge kasutage kahjustatud või balansseerimata harja. Kahjustatud harja kasutamine võib suurendada harja katkiste terasharjaste põhjustatud vigastusohu.

Joon.20

Tõmmake tööriist vooluvõrgust välja ja asetage see tagurpidi, et pääseksite võllile kergesti ligi. Eemaldage võllilt kõik tarvikud. Paigaldage terashari võllile ja keerake kaasasoleva mutrivõtmega kinni. Vältige harja kasutamisel liigse jõu rakendamist, sest see võib painutada harjaseid ja põhjustada seeläbi enneaegset kulumist.

Ketastraatharja (täiendav lisavarustus) käitamine

⚠HOIATUS:

- Kontrollige ketastraatharja tööd, lastes tööriistal tühjalt käia ja kandes hoolt, et keegi ei asuks ketastraatharja ees või sellega ühel joonel.
- Ärge kasutage kahjustatud või balansseerimata ketastraatharja. Kahjustatud ketastraatharja kasutamine võib suurendada harja katkiste harjaste põhjustatud vigastusohu.
- Kasutage ketastraatharjadega töötamisel ALATI kaitset, valides ketta diameetrile sobiva suuruse. Kui ketas peaks töötamisel tükki kideks purunema, aitab kaitse vigastusi vältida.

Joon.21

Tõmmake tööriist vooluvõrgust välja ja asetage tagurpidi, et pääseksite võllile kergesti ligi. Eemaldage võllilt kõik tarvikud. Keerake ketastraathari võllile ja kinnitage mutrivõtmega.

Vältige harja kasutamisel liigse jõu rakendamist, sest see võib painutada harjaseid ja põhjustada seeläbi enneaegset kulumist.

HOOLDUS

⚠HOIATUS:

- Kandke alati enne kontrolli- või hooldustoimingute teostamist hoolt selle eest, et tööriist oleks välja lülitatud ja vooluvõrgust lahti ühendatud.
- Ärge kunagi kasutage bensiini, vedeldit, alkoholi ega midagi muud sarnast. Selle tulemuseks võib olla luitumine, deformatsioon või pragunemine.

Joon.22

Tööriist ja selle ventilatsioonivahendid peavad olema puhtad. Puhastage tööriista ventilatsioonivahendid regulaarselt või siis, kui need hakkavad ummistuma.

Toote OHUTUSE ja TÕÕKINDLUSE säilimiseks tuleb vajalikud remonttööd, süsiharja kontrollimine ja väljavahetamine ning muud hooldus- ja reguleerimistööd lasta teha Makita volitatud teeninduskeskustes. Alati tuleb kasutada Makita varuosi.

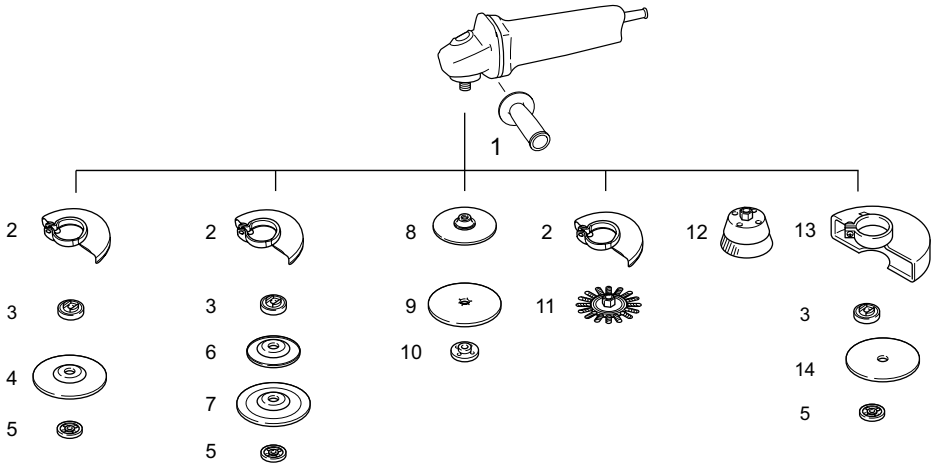
VALIKULISED TARVIKUD

⚠HOIATUS:

- Neid tarvikuid ja lisaseadiseid on soovitatav kasutada koos Makita tööriistaga, mille kasutamist selles kasutusjuhendis kirjeldatakse. Muude tarvikute ja lisaseadiste kasutamisega kaasneb vigastada saamise oht. Kasutage tarvikuid ja lisaseadiseid ainult otstarvetel, milleks need on ette nähtud.

Saate vajadusel kohalikust Makita teeninduskeskusest lisateavet nende tarvikute kohta.

- Tolmukatte kinnitus



	100 mm (4") mudel	115 mm (4-1/2") mudel	125 mm (5") mudel	150 mm (6") mudel
1	Käepide 36			
2	Kettakaitse (lihvkettele)			
3	Sisemine flanš	Sisemine flanš Superflanš *1	Sisemine flanš Superflanš *1	Sisemine flanš Superflanš *1
4	Lohkus keskosaga ketas/lamellketas			
5	Fiksaatormutter	Fiksaatormutter Ezynut *2	Fiksaatormutter Ezynut *2	Fiksaatormutter Ezynut *2
6	Plastikust ketas	Plastikust ketas	Plastikust ketas	-
7	Painduv ketas	Painduv ketas	Painduv ketas	-
8	Kummist tugiketas nr 76	Kummist tugiketas nr 100	Kummist tugiketas nr 115	Kummist tugiketas nr 125
9	Lihvketas			
10	Lihvimisketta kontramutter			
11	Ketastraathari			
12	Traatidega kausshari			
13	Kettakaitse (löikekettele) *3			
14	Lihvketas/teemantketas			
-	Fiksaatormutri võti			

Märkus:

*1 Ärge kasutage superäärikut koos lihvijaga, mis on varustatud pidurifunktsiooniga.

*2 Ärge kasutage koos superäärikut ja Ezynuti.

*3 Mõnes Euroopa riigis võib teemantketta puhul kasutada spetsiaalse, mõlemat ketta külge katva kettakaitse asemel tavalist kettakaitset. Järgige oma riigis kehtivaid eeskirju.

013977

MÄRKUS:

- Mõned nimekirjas loetletud tarvikud võivad kuuluda standardvarustusse ning need on lisatud tööriista pakendisse. Need võivad riikide lõikes erineda.

РУССКИЙ ЯЗЫК (Исходная инструкция)

Объяснения общего плана

1-1. Замок вала	10-1. Ключ стопорной гайки	17-2. Метка В
2-1. Ползунковый переключатель	10-2. Замок вала	17-3. Метка С
3-1. Индикаторная лампа (шкала регулировки скорости)	11-1. Гайка Ezynut	17-4. Метка D
4-1. Поворотный регулятор скорости	11-2. Абразивный диск	19-1. Стопорная гайка
6-1. Ограждение диска	11-3. Внутренний фланец	19-2. Абразивный отрезной круг/алмазный круг
6-2. Узел подшипника	11-4. Шпиндель	19-3. Внутренний фланец
6-3. Винт	12-1. Замок вала	19-4. Защитный кожух для абразивного отрезного круга/алмазного круга
7-1. Ограждение диска	13-1. Стрелка	20-1. Крышка с проводом щетки
7-2. Узел подшипника	13-2. Выемка	21-1. Дисксовая проволочная щетка
7-3. Винт	15-1. Стопорная гайка	22-1. Вытяжное отверстие
7-4. Рычаг	15-2. Гибкий диск	22-2. Впускное вентиляционное отверстие
8-1. Винт	15-3. Пластмассовая подушка	
8-2. Рычаг	15-4. Внутренний фланец	
9-1. Стопорная гайка	16-1. Шлифовальная стопорная гайка	
9-2. Диск с вогнутым центром	16-2. Абразивный диск	
9-3. Внутренний фланец	16-3. Резиновая подушка	
	17-1. Метка А	

ТЕХНИЧЕСКИЕ ХАРАКТЕРИСТИКИ

Модель	GA4040C	GA4041C	GA4540C	GA4541C	GA5040C	GA5041C	GA6040C
Диаметр диска	100 мм (4")		115 мм (4-1/2")		125 мм (5")		150 мм (6")
Макс. толщина круга	6,4 мм						
Резьба шпинделя	M10		M14 или 5/8" (зависит от страны)				
Номинальное число оборотов (n) / Число оборотов без нагрузки (n ₀)	11 000 мин ⁻¹		11 000 мин ⁻¹		11 000 мин ⁻¹		9 000 мин ⁻¹
Общая длина	303 мм	325 мм	303 мм	325 мм	303 мм	325 мм	303 мм
Вес нетто	2,3 кг	2,6 кг	2,5 кг	2,7 кг	2,5 кг	2,7 кг	2,6 кг
Класс безопасности	II/III						

- Благодаря нашей постоянно действующей программе исследований и разработок, указанные здесь технические характеристики могут быть изменены без предварительного уведомления.
- Технические характеристики могут различаться в зависимости от страны.
- Масса в соответствии с процедурой EPTA 01/2003

ENE048-1

ENG905-1

Назначение

Инструмент предназначен для шлифовки, зачистки и резки материалов из металла и камня без использования воды.

ENF002-2

Питание

Подключайте данный инструмент только к тому источнику питания, напряжение которого соответствует напряжению, указанному на паспортной табличке. Инструмент предназначен для работы от источника однофазного переменного тока. Они имеют двойную изоляцию и поэтому может подключаться к розеткам без заземления.

Шум

Типичный уровень взвешенного звукового давления (A), измеренный в соответствии с EN60745:

Модель GA4040C, GA4540C, GA5040C

Уровень звукового давления (L_{PA}): 86 дБ (A)
Уровень звуковой мощности (L_{WA}): 97 дБ (A)
Погрешность (K): 3 дБ (A)

Модель GA6040C

Уровень звукового давления (L_{PA}): 87 дБ (A)
Уровень звуковой мощности (L_{WA}): 98 дБ (A)
Погрешность (K): 3 дБ (A)

Модель GA4541C

Уровень звукового давления (L_{pA}): 83 дБ (A)
Уровень звуковой мощности (L_{WA}): 94 дБ (A)
Погрешность (K): 3 дБ (A)

Модель GA5041C

Уровень звукового давления (L_{pA}): 84 дБ (A)
Уровень звуковой мощности (L_{WA}): 95 дБ (A)
Погрешность (K): 3 дБ (A)

Используйте средства защиты слуха

ENG900-1

Вибрация

Суммарное значение вибрации (сумма векторов по трем осям) определяется по следующим параметрам EN60745:

Модель GA4040C

Рабочий режим: шлифование поверхности с обычной боковой рукояткой
Распространение вибрации ($a_{h,AG}$): 5,0 м/с²
Погрешность (K): 1,5 м/с²

Рабочий режим: шлифование поверхности с противовибрационной рукояткой
Распространение вибрации ($a_{h,AG}$): 5,0 м/с²
Погрешность (K): 1,5 м/с²

Рабочий режим: шлифование с использованием обычной боковой рукоятки
Распространение вибрации ($a_{h,DS}$): 3,0 м/с²
Погрешность (K): 1,5 м/с²

Рабочий режим: шлифование с использованием противовибрационной боковой рукоятки
Распространение вибрации ($a_{h,DS}$): 2,5 м/с² или менее
Погрешность (K): 1,5 м/с²

Модель GA4540C

Рабочий режим: шлифование поверхности с обычной боковой рукояткой
Распространение вибрации ($a_{h,AG}$): 6,0 м/с²
Погрешность (K): 1,5 м/с²

Рабочий режим: шлифование поверхности с противовибрационной рукояткой
Распространение вибрации ($a_{h,AG}$): 5,5 м/с²
Погрешность (K): 1,5 м/с²

Рабочий режим: шлифование с использованием обычной боковой рукоятки
Распространение вибрации ($a_{h,DS}$): 2,5 м/с²
Погрешность (K): 1,5 м/с²

Рабочий режим: шлифование с использованием противовибрационной боковой рукоятки
Распространение вибрации ($a_{h,DS}$): 2,5 м/с²
Погрешность (K): 1,5 м/с²

Модель GA5040C

Рабочий режим: шлифование поверхности с обычной боковой рукояткой
Распространение вибрации ($a_{h,AG}$): 6,5 м/с²
Погрешность (K): 1,5 м/с²

Рабочий режим: шлифование поверхности с противовибрационной рукояткой
Распространение вибрации ($a_{h,AG}$): 5,5 м/с²
Погрешность (K): 1,5 м/с²

Рабочий режим: шлифование с использованием обычной боковой рукоятки
Распространение вибрации ($a_{h,DS}$): 2,5 м/с²
Погрешность (K): 1,5 м/с²

Рабочий режим: шлифование с использованием противовибрационной боковой рукоятки
Распространение вибрации ($a_{h,DS}$): 2,5 м/с²
Погрешность (K): 1,5 м/с²

Модель GA6040C

Рабочий режим: шлифование поверхности с обычной боковой рукояткой
Распространение вибрации ($a_{h,AG}$): 6,5 м/с²
Погрешность (K): 1,5 м/с²

Рабочий режим: шлифование поверхности с противовибрационной рукояткой
Распространение вибрации ($a_{h,AG}$): 6,0 м/с²
Погрешность (K): 1,5 м/с²

Рабочий режим: шлифование с использованием обычной боковой рукоятки
Распространение вибрации ($a_{h,DS}$): 2,5 м/с²
Погрешность (K): 1,5 м/с²

Рабочий режим: шлифование с использованием противовибрационной боковой рукоятки
Распространение вибрации ($a_{h,DS}$): 2,5 м/с² или менее
Погрешность (K): 1,5 м/с²

Модель GA4541C

Рабочий режим: шлифование поверхности с обычной боковой рукояткой
Распространение вибрации ($a_{h,AG}$): 6,5 м/с²
Погрешность (K): 1,5 м/с²

Рабочий режим: шлифование поверхности с противовибрационной рукояткой
Распространение вибрации ($a_{h,AG}$): 5,5 м/с²
Погрешность (K): 1,5 м/с²

Рабочий режим: шлифование с использованием обычной боковой рукоятки
Распространение вибрации ($a_{h,DS}$): 2,5 м/с² или менее
Погрешность (K): 1,5 м/с²

Рабочий режим: шлифование с использованием противовибрационной боковой рукоятки
Распространение вибрации ($a_{h,DS}$): 2,5 м/с² или менее
Погрешность (K): 1,5 м/с²

Модель GA5041C

Рабочий режим: шлифование поверхности с обычной боковой рукояткой
Распространение вибрации ($a_{h,AG}$): 7,0 м/с²
Погрешность (K): 1,5 м/с²

Рабочий режим: шлифование поверхности с противовибрационной рукояткой
Распространение вибрации ($a_{h,AG}$): 6,0 м/с²
Погрешность (K): 1,5 м/с²

Рабочий режим: шлифование с использованием обычной боковой рукоятки
Распространение вибрации ($a_{h,DS}$): 2,5 м/с² или менее
Погрешность (K): 1,5 м/с²

Рабочий режим: шлифование с использованием противовибрационной боковой рукоятки
Распространение вибрации ($a_{h,DS}$): 2,5 м/с² или менее
Погрешность (K): 1,5 м/с²

ENG902-1

- Заявленное значение распространения вибрации измерено в соответствии со стандартной методикой испытаний и может быть использовано для сравнения инструментов.
- Заявленное значение распространения вибрации можно также использовать для предварительных оценок воздействия.
- Заявленное значение распространения вибрации относится к основным операциям, выполняемым с помощью электроинструмента. Однако если электроинструмент используется для других целей, уровень вибрации может отличаться.

⚠️ ПРЕДУПРЕЖДЕНИЕ:

- Распространение вибрации во время фактического использования электроинструмента может отличаться от заявленного значения в зависимости способа применения инструмента.
- Обязательно определите меры безопасности для защиты оператора, основанные на оценке воздействия в реальных условиях

использования (с учетом всех этапов рабочего цикла, таких как выключение инструмента, работа без нагрузки и включение).

ENH101-16

Только для европейских стран

Декларация о соответствии ЕС

Makita Corporation, являясь ответственным производителем, заявляет, что следующие устройство (-а) Makita:

Обозначение устройства:

Угловая шлифмашина

Модель/Тип: GA4040C, GA4540C, GA5040C, GA6040C, GA4541C, GA5041C

являются серийными изделиями и

Соответствует (-ют) следующим директивам ЕС:
2006/42/EC

и изготовлены в соответствии со следующими стандартами или нормативными документами:

EN60745

Техническая документация хранится по адресу:

Makita International Europe Ltd.

Technical Department,

Michigan Drive, Tongwell,

Milton Keynes, Bucks MK15 8JD, England

30.8.2011



000230

Tomoyasu Kato

Директор

Makita Corporation

3-11-8, Sumiyoshi-cho,

Anjo, Aichi, 446-8502, JAPAN

GEA010-1

Общие рекомендации по технике безопасности для электроинструментов

⚠️ ПРЕДУПРЕЖДЕНИЕ Ознакомьтесь со всеми инструкциями и рекомендациями по технике безопасности. Невыполнение инструкций и рекомендаций может привести к поражению электротоком, пожару и/или тяжелым травмам.

Сохраните брошюру с инструкциями и рекомендациями для дальнейшего использования.

ПРАВИЛА ТЕХНИКИ БЕЗОПАСНОСТИ ПРИ ЭКСПЛУАТАЦИИ УГЛОВОЙ ШЛИФМАШИНЫ

Общие предупреждения о безопасности для операций шлифования, зачистки проволочной щеткой и абразивной резки:

1. Данный электроинструмент предназначен для шлифования, зачистки проволочной щеткой и абразивной резки. Ознакомьтесь со всеми представленными инструкциями по технике безопасности, указаниями, иллюстрациями и техническими характеристиками, прилагаемыми к данному инструменту. Несоблюдение всех инструкций, указанных ниже, может привести к поражению электрическим током, пожару и/или серьезной травме.
2. Не рекомендуется пользоваться данным инструментом для выполнения таких операций, как полировка. Использование инструмента не по назначению может создать опасную ситуацию и стать причиной травмы.
3. Не используйте принадлежности других производителей, не рекомендованные производителем данного инструмента. Даже если принадлежность удастся закрепить на инструменте, это не обеспечит безопасность эксплуатации.
4. Номинальная скорость принадлежностей должна быть как минимум равна максимальной скорости, обозначенной на инструменте. При превышении номинальной скорости принадлежности последняя может разломиться на части.
5. Внешний диаметр и толщина принадлежности должна соответствовать номинальной мощности инструмента. Принадлежности неправильного размера не обеспечивают безопасность работы.
6. Резьбовые отверстия дополнительных принадлежностей должны совпадать с резьбой шпинделя шлифовальной машины. Для принадлежностей, устанавливаемых с помощью фланцев, отверстие для шпинделя на принадлежности должно соответствовать диаметру фланца. Несоответствие посадочного размера принадлежности и монтажного узла электроинструмента может привести к нарушению балансировки, сильной вибрации и к потере контроля над инструментом.
7. Не используйте поврежденные принадлежности. Перед каждым использованием принадлежностей типа абразивных дисков проверяйте их на наличие сколов и трещин, проверяйте опорные фланцы на наличие трещин, задиrow или чрезмерного износа, а проволочные щетки - на наличие выпавших или сломанных проволочек. Если вы уронили инструмент или принадлежность, осмотрите их на предмет поврежденных либо установите неповрежденную принадлежность. После осмотра и установки принадлежности удалите посторонних из рабочей зоны, встаньте в стороне от плоскости вращения принадлежности и включите инструмент на максимальную мощность без нагрузки, дайте ему поработать в течение одной минуты. Поврежденные принадлежности в течение этого времени обычно ломаются.
8. Надевайте средства индивидуальной защиты. В зависимости от выполняемой операции надевайте предохранительный щиток для лица, защитные очки или защитную маску. При необходимости используйте респиратор, средства защиты слуха, перчатки и передник, способный защитить от маленьких фрагментов абразива или заготовки. Средства защиты глаз должны быть способны остановить осколки, разлетающиеся при различных операциях. Противопылевая маска или респиратор должны задерживать частицы, образующиеся при работе. Продолжительное воздействие громкого шума может привести к потере слуха.
9. Посторонние должны находиться на безопасном расстоянии от рабочего места. Любой приближающийся к рабочему месту должен предварительно надеть индивидуальные средства защиты. Осколки заготовки или сломавшейся принадлежности могут разлететься и причинить травму даже на значительном удалении от рабочего места.
10. Если при выполнении работ существует риск контакта режущего инструмента со скрытой электропроводкой или собственным шнуром питания, держите электроинструмент только за специально предназначенные изолированные поверхности. Контакт с проводом под напряжением приведет к тому, что металлические детали инструмента также будут под напряжением, что приведет к поражению оператора электрическим током.
11. Располагайте шнур питания на удалении от вращающейся принадлежности. Если вы не удержите инструмент, возможно случайное разрезание или повреждение шнура, а также затягивание руки вращающейся принадлежностью.

12. **Не кладите инструмент, пока принадлежность полностью не остановится.** Вращающаяся насадка может коснуться поверхности, и вы не удержите инструмент.
13. **Не включайте инструмент во время переноски.** Случайный контакт с вращающейся принадлежностью может привести к защемлению одежды и притягиванию принадлежности к телу.
14. **Регулярно прочищайте вентиляционные отверстия инструмента.** Вентилятор электродвигателя засасывает пыль внутрь корпуса, а значительные отложения металлической пыли могут привести к поражению электрическим током.
15. **Не используйте инструмент вблизи горючих материалов.** Эти материалы могут воспламениться от искр.
16. **Не используйте принадлежность, требующую жидкостного охлаждения.** Использование воды или других охлаждающих жидкостей может привести к поражению электротоком.

Отдача и соответствующие предупреждения

Отдача – это мгновенная реакция на неожиданное застопоривание вращающегося диска или другой принадлежности. Застревание или застопоривание вызывает резкую остановку вращающейся принадлежности, что, в свою очередь, приводит к неконтролируемому рывку инструмента в направлении, противоположном вращению принадлежности в момент застревания.

Например, если абразивный диск застопорится или застрянет в заготовке, край диска, входящий в точку заклинивания, может врезаться в поверхность материала, в результате чего диск поведет вверх или отбросит. Диск может совершить рывок в направлении оператора или обратно, в зависимости от направления перемещения диска в точке заклинивания. В такой ситуации абразивные диски могут даже сломаться.

Отдача – это результата неправильного использования инструмента и/или неправильных процедур или условий эксплуатации. Ее можно избежать, соблюдая предосторожности, указанные ниже.

- a) **Крепко держите инструмент и располагайте тело и руки таким образом, чтобы иметь возможность противостоять силе, возникающей при отдаче. Обязательно пользуйтесь вспомогательной рукояткой (если имеется), чтобы обеспечить максимальный контроль над отдачей или крутящим моментом во время пуска.** Оператор способен справиться с крутящим моментом и силами отдачи при условии соблюдения соответствующих мер безопасности.

b) **Не подносите руки к вращающейся принадлежности.** При отдаче можно повредить руки.

c) **Не становитесь на возможной траектории движения инструмента в случае отдачи.** При отдаче инструмент сместится в направлении, противоположном вращению диска в момент застревания.

d) **Соблюдайте особую осторожность при обработке углов, острых краев и т.п. Не допускайте рывков и блокировки принадлежности.** Углы, острые края или рывки могут привести к блокировке вращающейся принадлежности и стать причиной потери контроля или вызвать отдачу.

e) **Не устанавливайте на инструмент пильную цепь, принадлежность для резбы по дереву или дисковую пилу.** Такие насадки часто приводят к возникновению отдачи и потере контроля над инструментом.

Специальные предупреждения о безопасности для операций шлифования и абразивной резки:

a) **Используйте диски только рекомендованных типов и специальные защитные приспособления, разработанные для выбранного диска.** Диски, не предназначенные для данного инструмента, не обеспечивают достаточную степень защиты и небезопасны.

b) **Шлифовальная поверхность дисков с углубленным центром должна быть установлена под плоской поверхностью кромок кожуха.** Для неправильно установленного диска, выступающего над плоской поверхностью кромок кожуха, надлежащая защита не гарантируется.

c) **Кожух должно быть надежно закреплен на инструменте и установлен так, чтобы обеспечить максимальную безопасность, чтобы как можно меньший сегмент диска выступал наружу.** Кожух помогает обезопасить оператора от разлета осколков разрушившегося диска, случайного прикосновения к диску и искр, которые могут воспламенить одежду.

d) **Диски должны использоваться только по рекомендованному назначению. Например: не шлифуйте краем отрезного диска.** Абразивные отрезные диски предназначены для периферийного шлифования, боковые усилия, приложенные к таким дискам, могут вызвать их разрушение.

e) **Обязательно используйте неповрежденные фланцы для дисков соответствующего размера и формы.** Подходящие фланцы поддерживают диск, снижая вероятность его разрушения. Фланцы для отрезных дисков могут отличаться от фланцев для шлифовальных дисков.

f) **Не используйте изношенные диски от более крупных электроинструментов.** Диски, предназначенные для более мощного электроинструмента, не подходят для высокоскоростного электроинструмента меньшей мощности и могут разорваться.

Дополнительные специальные предупреждения о безопасности для операций абразивной резки:

a) **Не "заклинивайте" отрезной диск и не прикладывайте к нему чрезмерное давление. Не пытайтесь делать слишком глубокий разрез.** Перенапряжение диска увеличивает его нагрузку и восприимчивость к короблению или прихвату в прорези, а также возможность отдачи или поломки диска.

b) **Не становитесь на одной линии или позади вращающегося диска.** Если во время операции диск движется от вас, то при отдаче вращающийся диск и инструмент может отбросить прямо на вас.

c) **Если диск застрял или процесс резания прерывается по другой причине, выключите электроинструмент и держите его неподвижно до полной остановки диска. Не пытайтесь извлечь отрезной диск из разреза до полной остановки диска, в противном случае может возникнуть отдача.** Выясните и устраните причину застревания диска.

d) **Не перезапускайте отрезной диск, пока он находится в детали. Дождитесь, пока диск разовьет максимальную скорость, и осторожно погрузите его в разрез.** Диск может застрять или может быть отброшен вверх или назад, если перезапустить электроинструмент непосредственно в детали.

e) **Устанавливайте опоры под панели или большие детали, чтобы уменьшить риск застревания диска и возникновения отдачи.** Большие детали имеют тенденцию к прогибу под собственным весом. При резании таких панелей необходимо поместить опоры под разрезаемую деталью рядом с линией разреза и рядом с краем детали с обеих сторон диска.

f) **Будьте особенно осторожны при выполнении "врезки" в существующих стенах или на других неизвестных участках.** Выступающий диск может натолкнуться на газовую или водопроводную трубу, электропроводку или предметы, которые могут привести к отдаче.

Специфические инструкции по технике безопасности, относящиеся к операциям шлифовки:

a) **Не пользуйтесь шлифовальным диском слишком большого размера. При выборе наждачной бумаги следуйте рекомендациям производителя.** Большие размеры наждачной бумаги, выступающей за края подложки, могут привести к разрыву бумаги, застреванию, разрушению диска или отдаче.

Специфические инструкции по технике безопасности, относящиеся к операциям очистки проволочной щеткой:

a) **Берегитесь проволок, которые разлетаются от щетки даже в нормальном режиме работы. Не прикладывайте чрезмерное усилие на проволоку, слишком сильно нажимая на щетку.** Проволока щетки может легко пробить одежду и/или кожу.

b) **Если для работы по очистке проволочными щётками рекомендуется использовать кожу, не допускайте контакта проволочного диска или щетки с кожей.** Проволочный диск или щётка могут увеличиваться в диаметре под воздействием нагрузки и центробежных сил.

Дополнительные предупреждения по безопасности:

17. При использовании дисков с углубленным центром используйте только диски армированные стекловолокном.
18. **ЗАПРЕЩАЕТСЯ ИСПОЛЬЗОВАТЬ** с этим инструментом шлифовальные чашки для камня. Данная шлифовальная машина не предназначена для принадлежностей такого типа, их использование может привести к тяжелой травме.
19. **Будьте осторожны во избежание повреждения шпинделя, фланца (особенно его установочной поверхности) или контргайки.** Повреждения этих деталей могут привести к поломке диска.
20. **Перед включением выключателя убедитесь, что диск не касается детали.**
21. **Перед тем как использовать инструмент для фактических работ, дайте ему немного поработать вхолостую.** Следите за вибрацией или биением, которые могут свидетельствовать о неправильной установке или плохой балансировке диска.
22. **Для выполнения шлифовки пользуйтесь соответствующей поверхностью диска.**
23. **Не оставляйте работающий инструмент без присмотра. Включайте инструмент только тогда, когда он находится в руках.**
24. **Сразу после окончания работ не прикасайтесь к обработанной детали. Она может быть очень горячей, что приведет к ожогам кожи.**

25. Соблюдайте инструкции изготовителя по правильной установке и использованию дисков. Бережно обращайтесь с дисками и аккуратно храните их.
26. Не пользуйтесь отдельными переходными втулками или адаптерами для крепления абразивных дисков с большими отверстиями.
27. Используйте только фланцы, указанные для данного инструмента.
28. Для инструментов, предназначенных для использования дисков с резьбовым отверстием, убедитесь, что резьба диска достаточна, чтобы диск можно было полностью завернуть на шпиндель.
29. Убедитесь, что обрабатываемая деталь имеет надлежащую опору.
30. Обратите внимание на то, что диск будет некоторое время вращаться после выключения инструмента.
31. Если в месте выполнения работ очень высокая температура и влажность или в ней содержится большое количество токопроводящей пыли, используйте прерыватель цепи (30 мА) для обеспечения безопасности работ.
32. Не используйте инструмент на любых материалах, содержащих асбест.
33. При использовании отрезного диска, всегда работайте с защитным кожухом диска для сбора пыли, установка которого необходима в соответствии с местными нормативными требованиями.
34. Не подвергайте отрезные диски какому-либо боковому давлению.

СОХРАНИТЕ ДАННЫЕ ИНСТРУКЦИИ.

⚠ ПРЕДУПРЕЖДЕНИЕ:

НЕ ДОПУСКАЙТЕ, чтобы удобство или опыт эксплуатации данного устройства (полученный от многократного использования) доминировали над строгим соблюдением правил техники безопасности при обращении с этим устройством. НЕПРАВИЛЬНОЕ ИСПОЛЬЗОВАНИЕ инструмента или несоблюдение правил техники безопасности, указанных в данном руководстве, может привести к тяжелой травме.

ОПИСАНИЕ ФУНКЦИОНИРОВАНИЯ

⚠ ПРЕДУПРЕЖДЕНИЕ:

- Перед проведением регулировки или проверки работы инструмента всегда проверяйте, что инструмент выключен, а шнур питания вынут из розетки.

Замок вала

Рис.1

⚠ ПРЕДУПРЕЖДЕНИЕ:

- Никогда не задействуйте замок вала при вращающемся шпинделе. Это может привести к повреждению инструмента.

Нажмите на замок вала для предотвращения вращения шпинделя при установке или снятии дополнительных принадлежностей.

Действие переключения

Рис.2

⚠ ПРЕДУПРЕЖДЕНИЕ:

- Перед включением штекера инструмента в розетку питания, всегда проверяйте, что ползунковый переключатель работает надлежащим образом и возвращается в положение "ВЫКЛ" при нажатии на заднюю часть ползункового переключателя.
- Переключатель можно заблокировать в положении "ВКЛ" для удобства оператора при продолжительном использовании. Будьте осторожны при блокировке инструмента в положении "ВКЛ" и продолжайте крепко удерживать инструмент.

Для включения инструмента переместите сдвижной переключатель в положение "I (ВКЛ.)", нажав на заднюю часть переключателя. При продолжительном использовании нажмите на переднюю часть переключателя для его блокировки в нужном положении.

Для остановки инструмента нажмите на заднюю часть переключателя, после чего передвиньте его в положение "O" ("ВЫКЛ").

Индикатор

Рис.3

При подключении инструмента к сети питания загорается зеленый индикатор. Если индикатор не загорается, то неисправен либо сетевой шнур, либо контроллер. Если индикатор светится, а инструмент не включается даже при нажатом выключателе, это свидетельствует либо об износе щеток, либо о неисправности контроллера, электромотора или выключателя.

Защита от случайного включения

При заблокированном переключателе инструмент не включится даже при подсоединении к электросети.

Индикатор начнет мигать красным цветом, что свидетельствует об активированной функции защиты от случайного включения.

Для отмены защиты от случайного включения верните переключатель в положение "О (ВЫКЛ.)".

Диск регулировки скорости

Рис.4

Скорость вращения можно изменять путем поворота диска регулировки скорости на заданную цифру, от 1 до 5.

Наибольшая скорость достигается при повороте диска в направлении цифры 5. А самая низкая скорость достигается при повороте диска в направлении цифры 1.

Соотношение между цифровым значением на диске и примерной скоростью вращения указано в таблице ниже.

Для модели GA4040C, GA4540C, GA5040C, GA4041C, GA4541C, GA5041C

Цифра	мин ⁻¹ (об/мин)
1	2 800
2	4 000
3	6 000
4	8 000
5	11 000

012752

Для модели GA6040C

Цифра	мин ⁻¹ (об/мин)
1	4 000
2	5 000
3	6 000
4	7 000
5	9 000

012756

⚠️ ПРЕДУПРЕЖДЕНИЕ:

- Если инструментом пользоваться непрерывно на низкой скорости в течение продолжительного времени, двигатель будет перегружен и нагреется.
- Диск регулировки скорости можно поворачивать только до цифры 5 и обратно до 1. Не пытайтесь повернуть его дальше 5 или 1, так как функция регулировки скорости может выйти из строя.

Электронная функция

Инструменты, оборудованные электронными функциями, просты в эксплуатации благодаря следующим характеристикам.

Постоянный контроль скорости

Регулятор постоянной скорости позволяет добиться высокого качества обработки за счет поддержания постоянной скорости вращения под нагрузкой.

Функция плавного запуска

Функция плавного пуска исключает начальный рывок инструмента.

Защита от перегрузки

Если нагрузка на инструмент превышает допустимый предел, подача питания к электромотору снижается для предотвращения его перегрева. Когда нагрузка вновь возвращается в допустимые границы, инструмент возобновляет нормальную работу.

Механический тормоз

Для модели GA4041C, GA4541C, GA5041C

Механический тормоз активируется после выключения инструмента.

Тормоз не активируется, если питание отключено, а переключатель находится в положении Вкл.

МОНТАЖ

⚠️ ПРЕДУПРЕЖДЕНИЕ:

- Перед проведением каких-либо работ с инструментом всегда проверяйте, что инструмент выключен, а шнур питания вынут из розетки.

Установка боковой рукоятки (ручки)

Рис.5

⚠️ ПРЕДУПРЕЖДЕНИЕ:

- Перед работой всегда проверяйте надежность крепления боковой рукоятки.

Прочно закрепите боковую рукоятку на месте, как показано на рисунке.

Установка или снятие защитного кожуха (для диска с углубленным центром, откидного диска, гибкого диска, дисковой проволочной щетки / абразивного отрезного диска, алмазного диска)

⚠️ ПРЕДУПРЕЖДЕНИЕ:

- При использовании диска с углубленным центром / откидного диска, гибкого диска или дисковой проволочной щетки установите защитный кожух так, чтобы закрытая сторона кожуха была направлена к оператору.
- При использовании абразивного отрезного круга/алмазного круга может применяться только специальный защитный кожух, предназначенный для отрезных кругов. (В некоторых странах Европы при использовании алмазного круга можно использовать обычное ограждение. Следуйте нормативам, действующим в вашей стране).

Для инструмента с ограждением диска со стопорным болтом

Рис.6

Установите защитный кожух так, чтобы выступы на его хомуте совместились с пазами на коробке подшипника. Затем поверните защитный кожух на 180° против часовой стрелки. Проверьте, чтобы винт был надежно затянут.

Для снятия кожуха диска выполните процедуру установки в обратном порядке.

Для инструмента с ограждением диска с зажимным рычагом

Рис.7

Ослабьте винт и подайте рычаг в направлении, указанном стрелкой. Установите защитный кожух так, чтобы выступы на его хомуте совместились с пазами на коробке подшипника. Затем поверните защитный кожух на 180°.

Рис.8

Потянув рычаг по стрелке, зафиксируйте ограждение диска винтом. Регулировка установочного угла ограждения диска выполняется при помощи рычага. Для снятия кожуха диска выполните процедуру установки в обратном порядке.

Установка и снятие диска с углубленным центром или откидного диска (поставляется отдельно)

⚠️ ПРЕДУПРЕЖДЕНИЕ:

- При использовании диска с углубленным центром / откидного диска ограждение диска должно быть установлено так, чтобы его закрытая сторона была обращена к оператору.

Рис.9

Установите внутренний фланец на шпindel. Наденьте диск/круг на внутренний фланец и вкрутите стопорную гайку на шпindel.

Рис.10

Для затяжки стопорной гайки, сильно надавите на замок вала, чтобы шпindel не проворачивался, затем воспользуйтесь ключом стопорной гайки и крепко затяните ее по часовой стрелке.

Для снятия диска выполните процедуру установки в обратном порядке.

Быстрозажимной фланец (поставляется отдельно)

Модели с буквой F стандартно комплектуются быстрозажимным фланцем. По сравнению с обычным типом для откручивания гайки требуется только 1/3 обычного усилия.

⚠️ ПРЕДУПРЕЖДЕНИЕ:

- Не используйте быстрозажимной фланец на моделях, оснащенных механическим тормозом. Его крепление может ослабиться при включении тормоза.

Установка или снятие гайки Ezyput (дополнительная принадлежность)

⚠️ ПРЕДУПРЕЖДЕНИЕ:

- Не используйте гайку Ezyput с быстрозажимным фланцем или угловой шлифовальной машиной, в конце модели которой указана буква «F». Толщина этих фланцев слишком велика, поэтому шпindel не сможет удерживать всю резьбу.

Рис.11

Установите внутренний фланец, абразивный диск и гайку Ezyput на шпindel таким образом, чтобы логотип «Makita» на гайке Ezyput был направлен наружу.

Рис.12

Сильно нажмите на замок вала и затяните гайку Ezyput, повернув абразивный диск по часовой стрелке до упора.

Чтобы ослабить гайку Ezyput, поверните ее внешнее кольцо против часовой стрелки.

Рис.13

Рис.14

Примечание:

- Пока стрелка указывает на выемку, гайку Ezyput можно ослабить вручную. В противном случае необходим ключ для стопорной гайки, чтобы ослабить ее. Вставьте один штифт ключа в отверстие и поверните Ezyput против часовой стрелки.

Порядок установки или снятия гибкого диска (поставляется отдельно)

⚠️ ПРЕДУПРЕЖДЕНИЕ:

- При установке на инструмент гибкого диска обязательно используйте прилагаемый кожух. Во время работы диск может разрушиться, и защитный кожух снизит риск получения травмы.

Рис.15

Следуйте указаниям для диска с углубленным центром, а также установите над диском пластмассовую накладку. Порядок сборки см. на соответствующей странице данного руководства.

Установка или снятие абразивного диска (дополнительная принадлежность)

Примечание:

- Используйте принадлежности для шлифования, указанные в данном руководстве. Их следует приобрести отдельно.

Рис.16

Установите резиновый опорный фланец на шпindel. Установите диск на резиновый опорный фланец и наверните на шпindel стопорную гайку

шлифовального блока. При затяжке стопорной гайки шлифовального блока нажмите кнопку блокировки вала, чтобы шпиндель не проворачивался, а затем надежно затяните стопорную гайку по часовой стрелке при помощи прилагаемого специального ключа.

Для снятия диска выполните процедуру установки в обратном порядке.

Порядок установки или снятия пылезащитной крышки (дополнительное приспособление)

⚠️ ПРЕДУПРЕЖДЕНИЕ:

- **Перед установкой и снятием кожуха диска обязательно выключайте инструмент и отсоединяйте его от электросети.** В противном случае можно повредить инструмент или получить травму.

Инструмент поставляется с четырьмя пылезащитными крышками, каждая из которых используется в различных ситуациях.

Рис.17

Установите пылезащитную крышку так, чтобы метка (А, В, С или D) находилась в месте, показанном на рисунке. Защелкните штифты в отверстиях.

Снять пылезащитную крышку можно рукой.

Примечание:

- При засорении пылезащитной крышки пылью или посторонними веществами очистите ее. Продолжение эксплуатации инструмента с засоренной пылезащитной крышкой приведет к повреждению инструмента.

ЭКСПЛУАТАЦИЯ

⚠️ ПРЕДУПРЕЖДЕНИЕ:

- Никогда не прилагайте к инструменту усилий. Вес инструмента создает адекватное давление. Чрезмерное усилие и давление могут привести к опасному разрушению диска.
- ВСЕГДА меняйте диск, если при шлифовании инструмент упал.
- НИКОГДА не ударяйте и не бейте шлифовальный диск или круг об обрабатываемую деталь.
- Избегайте подпрыгивания и зацепления диска, особенно при обработке углов, острых краев и т.д. Это может привести к потере управления и отдаче.
- Никогда не используйте инструмент с полотнами для обработки дерева или другими дисковыми пилами. При использовании на шлифмашине такие пилы часто выскакивают, выходят из-под контроля и приводят к травмам.

⚠️ ПРЕДУПРЕЖДЕНИЕ:

- Никогда не включайте инструмент, если он касается обрабатываемого изделия. Это может стать причиной травмы оператора.
- Во время выполнения операции всегда надевайте защитные очки или защитную маску.
- После работы всегда отключайте инструмент и дожидайтесь полной остановки диска перед тем, как положить инструмент.

Шлифовка и зачистка

Рис.18

ВСЕГДА крепко держите инструмент, положив одну руку на корпус, а вторую - на боковую ручку. Включите инструмент, а затем прижмите круг или диск к обрабатываемой детали.

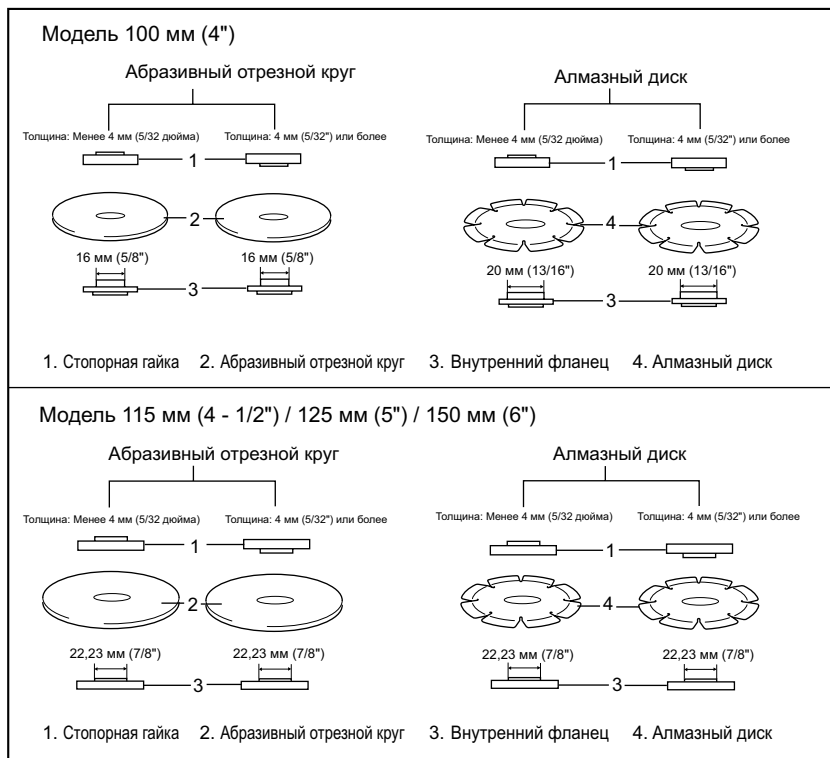
Обычно следует держать край круга или диска под углом примерно 15° к поверхности обрабатываемой детали.

В период приработки нового шлифовального круга не перемещайте шлифовальную машину в направлении В, поскольку круг может врезаться в деталь. После того как кромка круга закруглится от использования, можно будет перемещать круг в направлениях А и В.

Выполнение работ с абразивным отрезным диском/алмазным диском (дополнительная принадлежность)

Рис.19

Направление установки стопорной гайки и внутреннего фланца зависит от толщины диска. См. таблицу ниже.



012746

⚠ ПРЕДУПРЕЖДЕНИЕ:

- При использовании абразивного отрезного круга/алмазного круга может применяться только специальный защитный кожух, предназначенный для отрезных кругов. (В некоторых странах Европы при использовании алмазного круга можно использовать обычное ограждение. Следуйте нормативам, действующим в вашей стране).
- НЕЛЬЗЯ использовать отрезной круг для шлифовки боковой поверхностью.
- Не "заклинивайте" круг и не прикладывайте к нему чрезмерное давление. Не пытайтесь чрезмерно увеличить глубину резания. Перенапряжение круга увеличивает его нагрузку и восприимчивость к короблению или прихвату в прорези, а также возможность отдачи, поломки круга и перегрева электродвигателя.
- Во время операций резания нельзя менять угол наклона круга. Боковое давление на отрезной круг (как при шлифовке) приводит к растрескиванию и разрушению круга, в результате чего возможны серьезные травмы.

- Работы с алмазным диском необходимо выполнять, удерживая его перпендикулярно к рабочей поверхности.

Выполнение работ с чашечной проволочной щеткой (дополнительная принадлежность)

⚠️ ПРЕДУПРЕЖДЕНИЕ:

- Проверьте работу щетки, запустив инструмент на холостом ходу, предварительно убедившись, что никто не находится перед ним или на одной линии со щеткой.
- Не используйте поврежденную или разбалансированную щетку. Использование поврежденной щетки может увеличить опасность получения травм от контакта с проволокой.

Рис.20

Отсоедините инструмент от розетки и положите шпинделем вверх, чтобы обеспечить легкий доступ к шпинделю. Снимите насадку со шпинделя. Наверните проволочную чашечную щетку на шпиндель и затяните прилагаемым ключом. При использовании щетки не нажимайте на нее слишком сильно: это вызывает чрезмерный изгиб проволоки и ведет к преждевременной поломке.

Выполнение работ с дисковой проволочной щеткой (дополнительная принадлежность)

⚠️ ПРЕДУПРЕЖДЕНИЕ:

- Проверьте работу дисковой проволочной щетки, запустив инструмент на холостом ходу, предварительно убедившись, что никто не находится перед ним или на одной линии с дисковой проволочной щеткой.
- Не используйте поврежденную или разбалансированную дисковую проволочную щетку. Использование поврежденной дисковой проволочной щетки может увеличить опасность получения травм от контакта с проволокой.
- При работе с дисковой проволочной щеткой **ВСЕГДА** используйте защитный кожух, убедившись, что диаметр диска соответствует внутреннему диаметру кожуха. Во время работы диск может разрушиться, защитный кожух в таком случае снизит риск получения травм.

Рис.21

Отключите инструмент от питания и расположите его дисковой частью вверх, что позволит легко получить доступ к шпинделю. Снимите со шпинделя все дополнительные принадлежности. Установите дисковую проволочную щетку на шпиндель и затяните ее с помощью ключей.

При использовании дисковой проволочной щетки старайтесь не прикладывать к ней чрезмерное давление, поскольку в таком случае проволока

может погнуться, что преждевременно приведет щетку в негодность.

ТЕХОБСЛУЖИВАНИЕ

⚠️ ПРЕДУПРЕЖДЕНИЕ:

- Перед проверкой или проведением техобслуживания всегда проверяйте, что инструмент выключен, а штекер отсоединен от розетки.
- Запрещается использовать бензин, лигроин, растворитель, спирт и т.п. Это может привести к изменению цвета, деформации и появлению трещин.

Рис.22

Инструмент и его вентиляционные отверстия должны содержаться в чистоте. Производите регулярную очистку вентиляционных отверстий инструмента, или очищайте их в том случае, если отверстия станут засоряться.

Для обеспечения БЕЗОПАСНОСТИ и НАДЕЖНОСТИ изделия, ремонт, проверка и замена угольных щеток и любые другие работы по техобслуживанию или регулировке должны осуществляться в уполномоченных сервис-центрах Makita с использованием запасных частей только производства компании Makita.

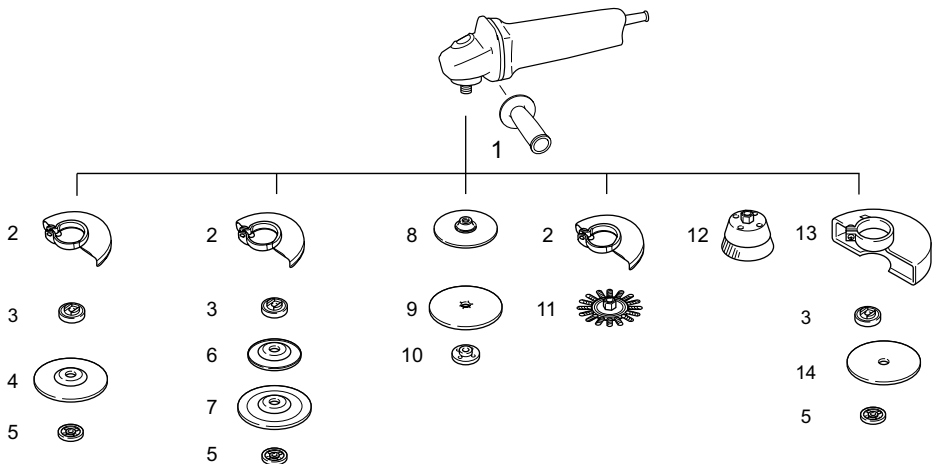
ДОПОЛНИТЕЛЬНЫЕ АКСЕССУАРЫ

⚠️ ПРЕДУПРЕЖДЕНИЕ:

- Эти принадлежности или насадки рекомендуется использовать вместе с Вашим инструментом Makita, описанным в данном руководстве. Использование каких-либо других принадлежностей или насадок может представлять опасность получения травм. Используйте принадлежность или насадку только по указанному назначению.

Если Вам необходимо содействие в получении дополнительной информации по этим принадлежностям, свяжитесь со своим местным сервис-центром Makita.

- Крепление пылезащитного чехла



	Модель 100 мм (4")	Модель 115 мм (4-1/2")	Модель 125 мм (5")	Модель 150 мм (6")
1	Рукоятка 36			
2	Защитный кожух (для шлифовального диска)			
3	Внутренний фланец	Внутренний фланец Быстрозажимной фланец *1	Внутренний фланец Быстрозажимной фланец *1	Внутренний фланец Быстрозажимной фланец *1
4	Диск с углубленным центром/откидной диск			
5	Контргайка	Контргайка Гайка Ezynut *2	Контргайка Гайка Ezynut *2	Контргайка Гайка Ezynut *2
6	Пластмассовая подушка	Пластмассовая подушка	Пластмассовая подушка	-
7	Гибкий диск	Гибкий диск	Гибкий диск	-
8	Резиновый опорный фланец 76	Резиновый опорный фланец 100	Резиновый опорный фланец 115	Резиновый опорный фланец 125
9	Абразивный диск			
10	Шлифовальная контргайка			
11	Дисковая проволочная щетка			
12	Чашечная проволочная щетка			
13	Защитный кожух (для отрезного круга) *3			
14	Абразивный отрезной диск/алмазный диск			
-	Ключ контргайки			

Примечание.

*1 Не используйте быстрозажимной фланец с шлифовальной машиной, оснащенной тормозом.

*2 Не используйте быстрозажимной фланец с гайкой Ezynut.

*3 В некоторых странах Европы при использовании алмазного круга можно использовать обычное ограждение вместо специального, закрывающего обе стороны круга. Следуйте нормативам, действующим в вашей стране.

013977

Примечание:

- Некоторые элементы списка могут водить в комплект инструмента в качестве стандартных приспособлений. Они могут отличаться в зависимости от страны.

Makita Corporation
Anjo, Aichi, Japan

885106B988

www.makita.com