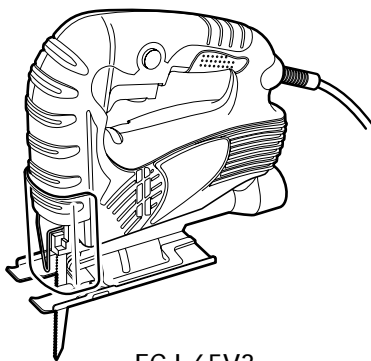


# HITACHI

Jig Saw  
Stichsäge  
Σέγα  
Wyrzynarka  
Szúrófűrész  
Přímočará pila  
Dekupaj  
Побзик

FCJ 65V3 · FCJ 65S3



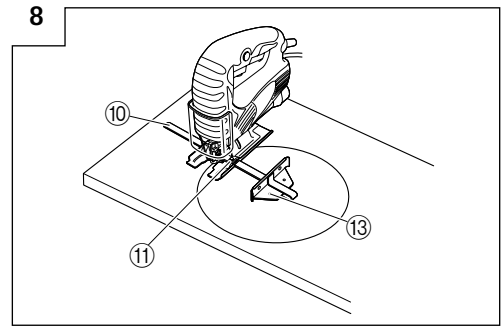
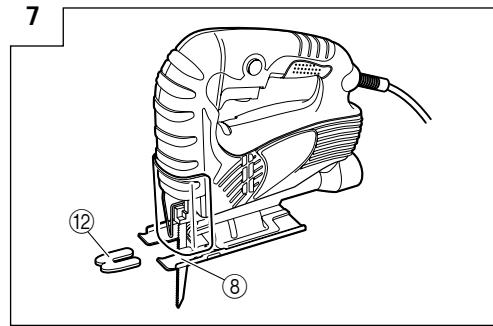
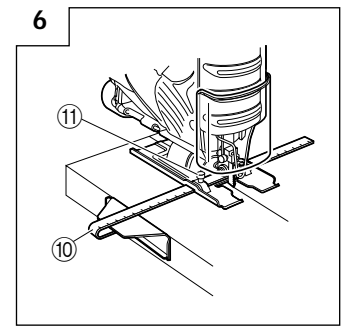
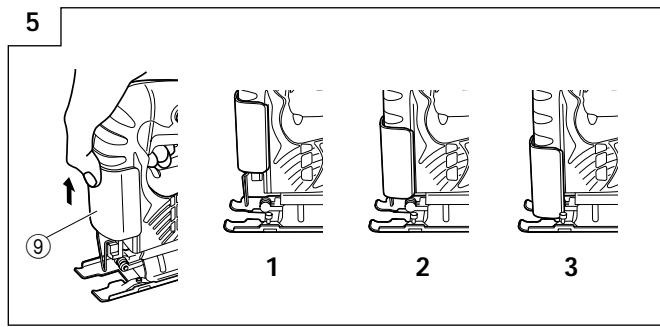
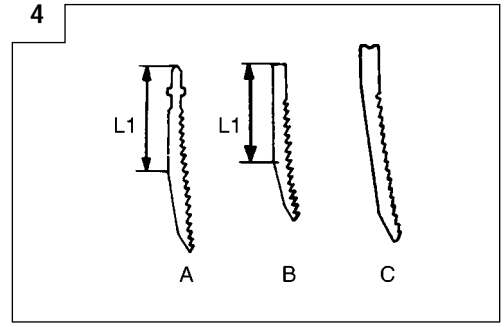
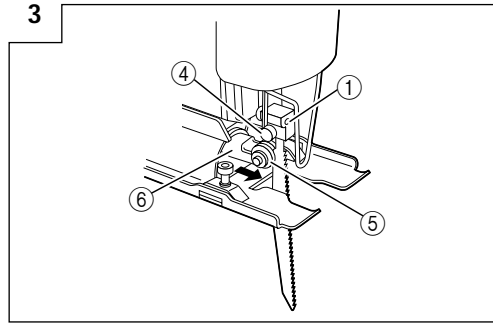
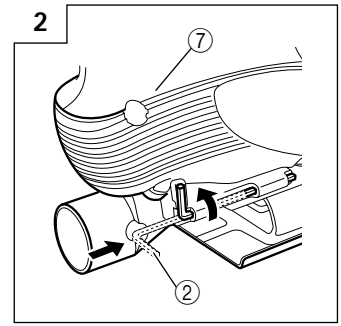
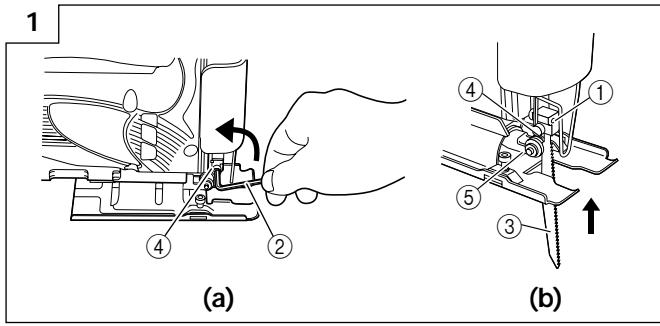
FCJ 65V3

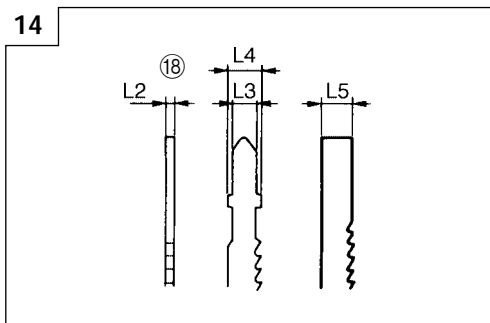
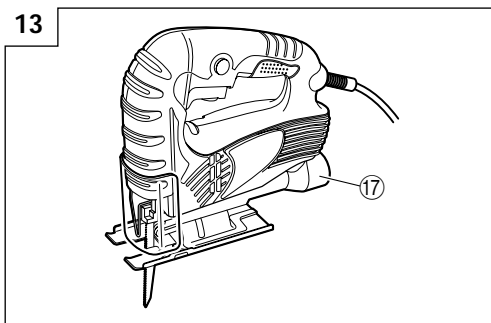
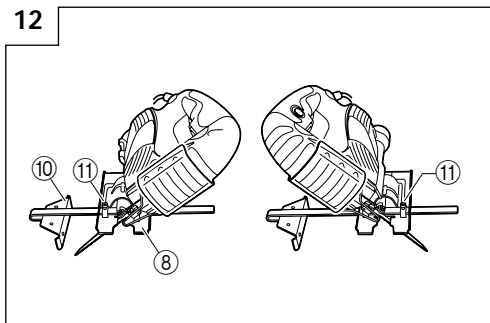
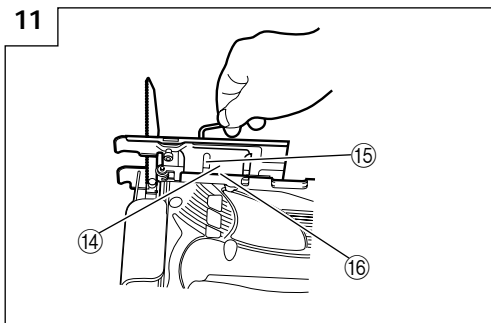
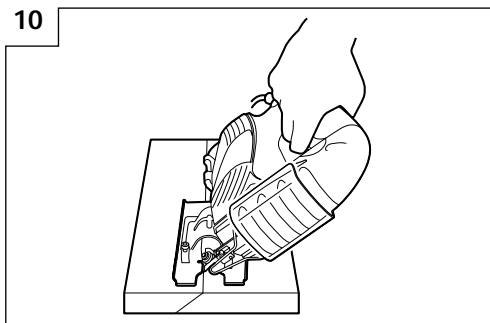
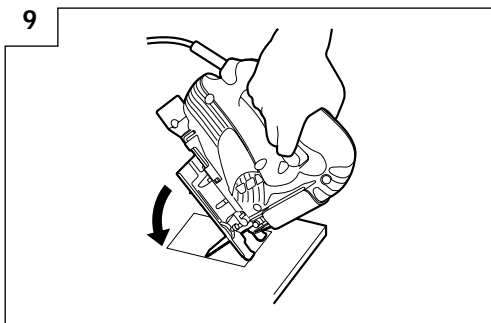
Read through carefully and understand these instructions before use.  
Diese Anleitung vor Benutzung des Werkzeugs sorgfältig durchlesen und verstehen.  
Διαβάστε προσεκτικά και κατανοήστε αυτές τις οδηγίες πριν τη χρήση.  
Przed użytkowaniem należy dokładnie przeczytać niniejszą instrukcję i zrozumieć jej treść.  
Használat előtt olvassa el figyelmesen a használati utasítást.  
Před použitím si pečlivě přečtěte tento návod a ujistěte se, že mu dobře rozumíte.  
Aleti kullanmadan önce bu kılavuzu iyice okuyun ve talimatları anlayın.  
Внимательно прочтите данную инструкцию по эксплуатации прежде чем пользоваться инструментом.



Handling instructions  
Bedienungsanleitung  
Οδηγίες χειρισμού  
Instrukcja obsługi  
Kezelési utasítás  
Návod k obsluze  
Kullanım talimatları  
Инструкция по эксплуатации

**Hitachi Koki**





	English	Deutsch	Ελληνικά	Polski
①	Blade holder	Sägeblatthalter	Στήριγμα λεπίδας	Uchwyt ostrza
②	Hexagonal bar wrench	Sechskantinnenschlüssel	Εξάγωνο κλειδί Άλεν	Klucz sześciokątny
③	Blade (blade edge must face front)	Sägeblatt (Schnittfläche muß nach vorne zeigen)	Λεπίδα (η κόψη της λεπίδας πρέπει να βλέπει μπροστά)	Ostrze (krawędź ostrza musi być skierowana do przodu)
④	Blade set screw	Klemmschraube für das Sägeblatt	Βίδα λεπίδας	Śruba mocująca ostrze
⑤	Roller	Führungsrolle	Κύλινδρος	Walek
⑥	Holder	Halter	Στήριγμα	Uchwyt
⑦	Main unit	Hauptgerät	Κύρια μονάδα	Jednostka główna
⑧	Base	Sagetisch	Βάση	Podstawa
⑨	Chip cover	Schnipseldeckel	Κάλυμμα ριζισμάτων	Osłona zabezpieczająca przed odłamkami
⑩	Guide	Führungsrolle	Οδηγός	Prowadnica
⑪	4mm screw (8mm)	4mm Schraube (8mm)	Βίδα 4mm (8mm)	Śruba 4mm (8mm)
⑫	Splinter guard	Splitterschutz	Προφυλακτήρας σχίζας	Osłona zabezpieczająca przed odpryskami
⑬	Nail or wood screw	Nagel oder Holzschraube	Καρφι ή βίδα ξύλου	Gwóźdź lub wkręt do drewna
⑭	Scale	Skala	Κλίμακα	Podziałka
⑮	Side groove	Seitlicher Schlitz	Πλευρική εγκοπή	Rowek boczny
⑯	Housing edge line	Gehäusekante	Οδηγός στερέωσης	Linia krawędzi obudowy
⑰	Hose attachment part	Schlauchanschluss	Τμήμα στερέωσης του λάστιχου	Elementem przyłącza węży
⑱	Acceptable blades	Schlauchanbringungsereich	Αποδεκτές λεπίδες	Odpowiednie ostrza

	Magyar	Čeština	Türkçe	Русский
①	Fűrészlap befogószerkezet	Držák listu	Bıçak tutucu	Держатель полотна
②	Hatszögletű dugókulcs	Klíč na vnitřní šestihrany	Alyan anahtar	Гачный ключ в виде шестигранного стержня
③	Fűrészlap (a fűrészlap élének előrefelé kell néznie)	Pláték (Ostří plátku musí směřovat dopředu)	Bıçak (bıçağın keskin kenarı ön tarafa bakmalı)	Полотно (край полотна должен быть обращен вперед)
④	Fűrészlap-hernyócsavar	Stavěcí šroub plátku	Bıçak ayar vidası	Установочный винт полотна
⑤	Henger	Vodící kladka	Silindir	Ролик
⑥	Tartó	Držák	Tutamaç	Держатель
⑦	Fő egység	Hlavní jednotka	Ana ünite	Основной корпус
⑧	Alapzat	Základní deska	Taban	Основание
⑨	Forgácsvédő fedél	Kryt proti třískám	Talaş/yonga kapağı	Крышка стружкосборника
⑩	Vezetőelem	Vedení	Kılavuz	Направляющая
⑪	4mm-es csavar (8mm)	Šroub 4mm (8mm)	4mm'lik vida (8mm)	4-мм винт (8 мм)
⑫	Forgácsvédő pajzs	Ochranný kryt proti odštěpování	Kıymık muhafazası	Защитное приспособление
⑬	Szeg vagy facsavar	Hřebík nebo vrut do dřeva	Çivi veya ahşap vidası	Гвоздь или шуруп
⑭	Skála	Stupnice	Ölçek	Шкала
⑮	Oldalsó horony	Boční drážka	Kenar oluğu	Боковая канавка
⑯	Burkolat szélső vonal	Vodící proužek pouzdra	Gövde kenar çizgisi	Граница кромки корпуса
⑰	Cső tartozék alkatrészhez.	Části k připojení hadice	Hortum takma ucuna	Крепежной деталью рукава
⑱	Elfogadható fűrészlapok	Povolené řezné plátky	Kabul edilebilir bıçaklar	Применимые полотна

## GENERAL SAFETY RULES

### WARNING!

#### Read all instructions

*Failure to follow all instructions listed below may result in electric shock, fire and/or serious injury.*

*The term "power tool" in all of the warnings listed below refers to your mains operated (corded) power tool or battery operated (cordless) power tool.*

### SAVE THESE INSTRUCTIONS

#### 1) Work area

- a) **Keep work area clean and well lit.**  
*Cluttered and dark areas invite accidents.*
- b) **Do not operate power tools in explosive atmospheres, such as in the presence of flammable liquids, gases or dust.**  
*Power tools create sparks which may ignite the dust of fumes.*
- c) **Keep children and bystanders away while operating a power tool.**  
*Distractions can cause you to lose control.*

#### 2) Electrical safety

- a) **Power tool plugs must match the outlet. Never modify the plug in any way. Do not use any adapter plugs with earthed (grounded) power tools.**  
*Unmodified plugs and matching outlets will reduce risk of electric shock.*
- b) **Avoid body contact with earthed or grounded surfaces such as pipes, radiators, ranges and refrigerators.**  
*There is an increased risk of electric shock if your body is earthed or grounded.*
- c) **Do not expose power tools to rain or wet conditions.**  
*Water entering a power tool will increase the risk of electric shock.*
- d) **Do not abuse the cord. Never use the cord for carrying, pulling or unplugging the power tool. Keep cord away from heat, oil, sharp edges or moving parts.**  
*Damaged or entangled cords increase the risk of electric shock.*
- e) **When operating a power tool outdoors, use an extension cord suitable for outdoor use.**  
*Use of a cord suitable for outdoor use reduces the risk of electric shock*

#### 3) Personal safety

- a) **Stay alert, watch what you are doing and use common sense when operating a power tool. Do not use a power tool while you are tired or under the influence of drugs, alcohol or medication.**  
*A moment of inattention while operating power tools may result in serious personal injury.*
- b) **Use safety equipment. Always wear eye protection. Safety equipment such as dust mask, non-skid safety shoes, hard hat, or hearing protection used for appropriate conditions will reduce personal injuries.**
- c) **Avoid accidental starting. Ensure the switch is in the off position before plugging in.**  
*Carrying power tools with your finger on the switch or plugging in power tools that have the switch on invites accidents.*

- d) **Remove any adjusting key or wrench before turning the power tool on.**

*A wrench or a key left attached to a rotating part of the power tool may result in personal injury.*

- e) **Do not overreach. Keep proper footing and balance at all times.**  
*This enables better control of the power tool in unexpected situations.*
- f) **Dress properly. Do not wear loose clothing or jewellery. Keep your hair, clothing and gloves away from moving parts.**  
*Loose clothes, jewellery or long hair can be caught in moving parts.*
- g) **If devices are provided for the connection of dust extraction and collection facilities, ensure these are connected and properly used.**  
*Use of these devices can reduce dust related hazards.*

#### 4) Power tool use and care

- a) **Do not force the power tool. Use the correct power tool for your application.**  
*The correct power tool will do the job better and safer at the rate for which it was designed.*
- b) **Do not use the power tool if the switch does not turn it on and off.**  
*Any power tool that cannot be controlled with the switch is dangerous and must be repaired.*
- c) **Disconnect the plug from the power source before making any adjustments, changing accessories, or storing power tools.**  
*Such preventive safety measures reduce the risk of starting the power tool accidentally.*
- d) **Store idle power tools out of the reach of children and do not allow persons unfamiliar with the power tool or these instructions to operate the power tool.**  
*Power tools are dangerous in the hands of untrained users.*
- e) **Maintain power tools. Check for misalignment or binding of moving parts, breakage of parts and any other condition that may affect the power tools operation.**  
*If damaged, have the power tool repaired before use.  
Many accidents are caused by poorly maintained power tools.*
- f) **Keep cutting tools sharp and clean.**  
*Properly maintained cutting tools with sharp cutting edges are less likely to bind and are easier to control.*
- g) **Use the power tool, accessories and tool bits etc., in accordance with these instructions and in the manner intended for the particular type of power tool, taking into account the working conditions and the work to be performed.**  
*Use of the power tool for operations different from intended could result in a hazardous situation.*

#### 5) Service

- a) **Have your power tool serviced by a qualified repair person using only identical replacement parts.**  
*This will ensure that the safety of the power tool is maintained.*

### PRECAUTION

**Keep children and infirm persons away.**

**When not in use, tools should be stored out of reach of children and infirm persons.**

## SPECIFICATIONS

Model	FCJ65V3	FCJ65S3
Voltage (by areas)*	(110V, 115V, 120V, 127V, 220V, 230V, 240V) ~	
Power input	400W*	
Max. cutting depth	Wood: 65mm Mild steel: 6mm	
No-load speed	0 – 3000 min <sup>-1</sup>	3000 min <sup>-1</sup>
Stroke	18mm	
Min. cutting radius	25mm	
Weight (without cord)	1.5kg	

\* Be sure to check the nameplate on product as it is subject to change by areas.

## STANDARD ACCESSORIES

- (1) Blade No.31 ..... 1  
For cutting thick lumber
  - (2) Splinter guard ..... 1
  - (3) Chip cover ..... 1
  - (4) Hexagonal bar wrench ..... 1
- Standard accessories are subject to change without notice.

## OPTIONAL ACCESSORIES (sold separately)

- (1) Blades, No.1 – No.6, 31\*  
\* No.31 Blade is a standard accessory.
  - (2) Guide
- Optional accessories are subject to change without notice.

## APPLICATIONS

- Cutting various lumber and pocket cutting
- Cutting mild steel plate, aluminum plate, and copper plate
- Cutting synthetic resins, such as phenol resin and vinyl chloride
- Cutting thin and soft construction materials

## PRIOR TO OPERATION

1. **Power source**  
Ensure that the power source to be utilized conforms to the power requirements specified on the product nameplate.
2. **Power switch**  
Ensure that the power switch is in the OFF position. If the plug is connected to a receptacle while the power switch is in the ON position, the power tool will start operating immediately, which could cause a serious accident.
3. **Extension cord**  
When the work area is removed from the power source, use an extension cord of sufficient thickness and rated capacity. The extension cord should be kept as short as practicable.

## MOUNTING THE BLADE

1. Use the accessory hexagonal bar wrench to loosen the blade set screws on the blade holder, as shown in Fig. 1(a).

2. Holding the blade with its cutting edge facing the front, insert the mounting portion of the blade into the plunger groove until it touches the bottom of the groove.

3. As shown in Fig. 1(b), firmly clamp the side screw.

### CAUTION

- Loosened set screws may cause the blade to be damaged. Always ensure that the set screws are securely tightened. Always ensure that the plunger groove is clean and clear of sawdust to ensure proper blade mounting and set screw clamping.

4. Storing the hexagonal bar wrench

- (1) Insert in a hole on the side of the main unit with holding the short side horizontally as shown in Fig. 2.
- (2) Rotate with the hexagonal bar wrench inserted and secure as shown in Fig. 2.

## ADJUSTING THE GUIDE ROLLER

The guide roller, shown in Fig. 3, is employed to prevent the blade from snapping. Prior to use, adjust guide roller in accordance with the following procedures:

- (1) Loosen the holder set screw with the accessory hexagonal bar wrench.
- (2) Gently slide the guide roller until the roller groove lightly touches the back of the blade.

### NOTE

On delivery from the factory, there is a gap of about 3mm between the roller and blade.

- (3) Firmly tighten the holder set screw.

### CAUTION

- The guide roller can be used only for Blades that have a straight line on the rear that is longer than 50mm. (Fig. 4A and 4B) When using other types of blades (Fig. 4C), slide the guide roller in backwards so that the guide roller does not contact the blade.
- When cutting thick boards or performing continuous cutting operations, use the blade shown in the Fig. 4A, 4B and be sure to set the guide roller.

## CHIP COVER POSITIONING

1. **Chip cover**  
Use the chip cover to reduce flying of cut particles and to easily operate the saw.

Slide the chip cover while lightly pressing its front section.

The chip cover can be set at three positions as shown in Fig. 5.

## 2. How to choose the position of the chip cover

Set the chip cover to the first step when attaching or removing the blade.

Set the chip cover to the second step when cutting wooden materials.

Set the chip cover to the second or third step when cutting metal materials such as steel.

### CAUTION

- Keep always the chip cover in the low position when operating the tool.
- Wear protection glasses even if the chip cover is used.

---

## ADJUSTING THE BLADE OPERATING SPEED ..... (FCJ65V3 only)

### NOTE

The blade operating speed cannot be adjusted for FCJ65S3.

The blade operating speed can be adjusted within a range of 0 to 3,000 min<sup>-1</sup> according to the degree that the trigger switch is depressed. Select the speed appropriate to the material being worked and/or the working conditions.

To achieve continuous operation, pull the trigger switch all the way back and depress the stopper. Then, turn the speed adjustment knob to adjust the blade operating speed as desired.

### NOTE

The speed adjustment knob rotates approximately 1.5 turns. To turn the switch OFF, pull the trigger switch again to disengage the stopper, and release the trigger switch.

---

## CUTTING

### CAUTION

- While sawing, the base must be firmly in contact with the material surface, and the blade must be held at a right angle. If the base becomes separated from the material, it could cause the blade to break.
- When cutting while holding the front surface, be careful of the moving blade and hold the upper part firmly.

#### 1. Rectilinear cutting

- (1) To ensure accurate rectilinear cutting, employ the optional accessory guide as shown in Fig. 6.
- (2) Use the splinter guard to reduce roughness of the cutting surface of wooden materials. Attach the splinter guard by inserting it from the front section of the base until it clicks into place. (Fig. 7)

### CAUTION

Set the base in the front position when using the splinter guard.

#### 2. Cutting a circle or a circular arc

To ensure efficient cutting, employ the optional accessory guide and nail or wood screw as shown in Fig. 8.

When mounting the guide, loosen the base bottom screw, and shift the base as far forward as it will go.

#### 3. Sawing curved lines

When sawing a small circular arc, reduce the feeding speed of the machine. If the machine is fed too fast, it could cause the blade to break.

#### 4. Cutting metallic materials

Always use an appropriate cutting agent (spindle oil, soapy water, etc.). When a liquid cutting agent is not available, apply grease to the back surface of the material to be cut.

#### 5. Pocket cutting

##### (1) In lumber

Aligning the blade direction with the grain of the wood, cut step by step until a window hole is cut in the center of the lumber. (Fig. 9)

##### (2) In other materials

When cutting a window hole in materials other than lumber, initially bore a hole with a drill or similar tool from which to start cutting.

#### 6. Angular cutting

Set the chip cover to the first step. (Fig. 5)

To adjust the angle of inclination; loosen the base bottom screw, shift the base position to the side groove of the semicircular portion, align the scale on the base semicircular portion (figures engraved on the scale indicate the angle of inclination) with the housing edge line, and thoroughly tighten the base bottom screw. (Fig. 10 and 11)

### CAUTION

Set the screw to the opposite side of the inclining side when using the guide. (Fig. 12)

#### 7. Dust produced in operation

### CAUTION

- To prevent accidents, turn the switch off and remove the plug from the power supply when not in use.
- For instruction on using the dust collector and applicable cutting debris, please read the dust collector instruction manual.

*The dust produced in normal operation may affect the operator's health. Either of following way is recommended.*

##### a) Wear a dust mask

##### b) Use external dust collection equipment

When using the external dust collection equipment, connect the rubber adapter (accessory of external dust collection equipment) with end the of hose from external dust collection equipment.

Then connect the another end of rubber adapter with the hose attachment part that positioned in rear end of jig saw. (See Fig. 13)

---

## SELECTION OF BLADES

#### 1. Accessory blades

To ensure maximum operating efficiency and results it is very important to select the appropriate blade best suited to the type and thickness of the material to be cut. One type of blade is provided as standard accessory. The blade number is engraved in the vicinity of the mounting portion of each blade. Select appropriate blades by referring to Table 1.



Table 1 List of Appropriate Blades

Material to be cut	Material quality	Blade No.
Lumber	General lumber	No.1 or No.31 (thick plate) or No.41 (thick plate) or No.2 (thin plate)
	Plywood	No.3 or No.6
Iron plate	Mild steel plate	No.6
Nonferrous metal	Aluminum, copper, brass	No.6
Synthetic resin	Phenol resin, melamine resin, etc.	No.4 (thick plate) or No.6 (thin plate)
	Vinyl chloride, acryl resin, etc.	No.2 or No.4 (thick plate) or No.6 (thin plate)
	Foamed styrol, etc.	No.2
Pulp	Cardboard, corrugated paper	No.2
	Hardboard	No.5 or No.6
	Fiberboard	No.6
Others	Hard rubber	No.2
	Slate	No.5

## 2. Acceptable commercial blades (Fig. 14)

This machine is designed to accept most blades available on the open market. As illustrated in Fig. 14, blade dimension restrictions are as follows:

- Thickness : L2 ..... Less than 1.6mm
- Width : L3 ..... 6.3mm
- L4 ..... 8mm
- L5 ..... 7mm

### NOTE

When cutting thick materials, use HITACHI genuine blades which have an inclination as shown in Fig. 4-A or B.

## MAINTENANCE AND INSPECTION

### 1. Inspecting the blade

Continued use of a dull or damaged blade will result in reduced cutting efficiency and may cause overloading of the motor. Replace the blade with a new one as soon as excessive abrasion is noted.

### 2. Inspecting the mounting screws

Regularly inspect all mounting screws and ensure that they are properly tightened. Should any of the screws be loose, retighten them immediately. Failure to do so could result in serious hazard.

### 3. Maintenance of the motor

The motor unit winding is the very "heart" of the power tool. Exercise due care to ensure the winding does not become damaged and/or wet with oil or water.

### 4. Replacing supply cord

If the supply cord of Tool is damaged, the Tool must be returned to Hitachi Authorized Service Center for the cord to be replaced.

### 5. Servicing

Consult an authorized Service Agent in the event of power tool failure.

### 6. Service parts list

#### CAUTION

Repair, modification and inspection of Hitachi Power Tools must be carried out by an Hitachi Authorized Service Center.

This Parts List will be helpful if presented with the tool to the Hitachi Authorized Service Center when requesting repair or other maintenance.

In the operation and maintenance of power tools, the safety regulations and standards prescribed in each country must be observed.

#### MODIFICATIONS

Hitachi Power Tools are constantly being improved and modified to incorporate the latest technological advancements.

Accordingly, some parts may be changed without prior notice.

#### NOTE

Due to HITACHI's continuing program of research and development, the specifications herein are subject to change without prior notice.

#### Information concerning airborne noise and vibration

The measured values were determined according to EN60745 and declared in accordance with ISO 4871.

[FCJ65V3]

Measured A-weighted sound power level: 96 dB (A).  
Measured A-weighted sound pressure level: 85 dB (A).  
Uncertainty KpA: 3 dB (A).

Wear ear protection.

The typical weighted root mean square acceleration value: 7.6 m/s<sup>2</sup>.

## ALLGEMEINE SICHERHEITSMASSNAHMEN

### WARNUNG!

Lesen Sie sämtliche Hinweise durch

Wenn nicht sämtliche nachstehenden Anweisungen befolgt werden, kann es zu Stromschlag, Brand und/oder ernsthaften Verletzungen kommen.

Der Begriff „Elektrowerkzeug“ bezieht sich in den folgenden Warnhinweisen auf Elektrowerkzeuge mit Netz- (schnurgebunden) oder Akkubetrieb (schnurlos).

### BEWAHREN SIE DIESE ANWEISUNGEN AUF

#### 1) Arbeitsbereich

- a) Sorgen Sie für einen sauberen und gut ausgeleuchteten Arbeitsbereich.  
Zugestellte und dunkle Bereiche ziehen Unfälle förmlich an.
- b) Verwenden Sie Elektrowerkzeuge niemals an Orten, an denen Explosionsgefahr besteht – zum Beispiel in der Nähe von leicht entflammaren Flüssigkeiten, Gasen oder Stäuben.  
Bei der Arbeit mit Elektrowerkzeugen kann es zu Funkenbildung kommen, wodurch sich Stäube oder Dämpfe entzünden können.
- c) Sorgen Sie bei der Arbeit mit Elektrowerkzeugen dafür, dass sich keine Zuschauer (insbesondere Kinder) in der Nähe befinden.  
Wenn Sie abgelenkt werden, können Sie die Kontrolle über das Werkzeug verlieren.

#### 2) Elektrische Sicherheit

- a) Elektrowerkzeuge müssen mit passender Stromversorgung betrieben werden.  
Nehmen Sie niemals irgendwelche Änderungen am Anschlussstecker vor.  
Verwenden Sie bei Elektrowerkzeugen mit Schutzkontakt (geerdet) niemals Adapterstecker.  
Stecker im Originalzustand und passende Steckdosen reduzieren das Stromschlagrisiko.
- b) Vermeiden Sie Körperkontakt mit geerdeten Gegenständen wie Rohrleitungen, Heizungen, Herden oder Kühlschränken.  
Bei Körperkontakt mit geerdeten Gegenständen besteht ein erhöhtes Stromschlagrisiko.
- c) Setzen Sie Elektrowerkzeuge niemals Regen oder sonstiger Feuchtigkeit aus.  
Wenn Flüssigkeiten in ein Elektrowerkzeug eindringen, erhöht sich das Stromschlagrisiko.
- d) Verwenden Sie die Anschlusschnur nicht missbräuchlich. Tragen Sie das Elektrowerkzeug niemals an der Anschlusschnur, ziehen Sie es nicht damit heran und ziehen Sie den Stecker nicht an der Anschlusschnur aus der Steckdose. Halten Sie die Anschlusschnur von Hitzequellen, Öl, scharfen Kanten und beweglichen Teilen fern.  
Beschädigte oder verdrehte Anschlusschnüre erhöhen das Stromschlagrisiko.
- e) Wenn Sie ein Elektrowerkzeug im Freien benutzen, verwenden Sie ein für den Außeneinsatz geeignetes Verlängerungskabel.  
Ein für den Außeneinsatz geeignetes Kabel vermindert das Stromschlagrisiko.

#### 3) Persönliche Sicherheit

- a) Bleiben Sie wachsam, achten Sie auf das, was Sie tun, und setzen Sie Ihren Verstand ein, wenn Sie mit Elektrowerkzeugen arbeiten.  
Benutzen Sie keine Elektrowerkzeuge, wenn Sie müde sind oder unter Einfluss von Drogen, Alkohol oder Medikamenten stehen.

Bei der Arbeit mit Elektrowerkzeugen können bereits kurze Phasen der Unaufmerksamkeit zu schweren Verletzungen führen.

- b) Benutzen Sie Schutzausrüstung. Tragen Sie immer einen Augenschutz.  
Schutzausrüstung wie Staubmaske, rutschsichere Sicherheitsschuhe, Schutzhelm und Gehörschutz senken das Verletzungsrisiko bei angemessenem Einsatz.
  - c) Vermeiden Sie unbeabsichtigten Anlauf. Achten Sie darauf, dass sich der Schalter in der Aus-(Off-) Position befindet, ehe Sie den Stecker einstecken.  
Das Herumtragen von Elektrowerkzeugen mit dem Finger am Schalter und das Einstecken des Steckers bei betätigtem Schalter zieht Unfälle regelrecht an.
  - d) Entfernen Sie sämtliche Einstellwerkzeuge (Einstellschlüssel), ehe Sie das Elektrowerkzeug einschalten.  
Ein an einem beweglichen Teil des Elektrowerkzeugs angebrachter Schlüssel kann zu Verletzungen führen.
  - e) Sorgen Sie für einen festen Stand. Achten Sie jederzeit darauf, sicher zu stehen und das Gleichgewicht zu bewahren.  
Dadurch haben Sie das Elektrowerkzeug in unerwarteten Situationen besser im Griff.
  - f) Kleiden Sie sich richtig. Tragen Sie keine lose Kleidung oder Schmuck. Halten Sie Haar, Kleidung und Handschuhe von beweglichen Teilen fern.  
Lose Kleidung, Schmuck oder langes Haar kann von beweglichen Teilen erfasst werden.
  - g) Wenn Anschlüsse für Staubabsaug- und -sammelvorrichtungen vorhanden sind, sorgen Sie dafür, dass diese richtig angeschlossen und eingesetzt werden.  
Die Verwendung solcher Vorrichtungen kann Staub-bezogene Gefahren mindern.
- #### 4) Einsatz und Pflege von Elektrowerkzeugen
- a) Überansprechen Sie Elektrowerkzeuge nicht. Benutzen Sie das richtige Elektrowerkzeug für Ihren Einsatzzweck.  
Das richtige Elektrowerkzeug erledigt seine Arbeit bei bestimmungsgemäßem Einsatz besser und sicherer.
  - b) Benutzen Sie das Elektrowerkzeug nicht, wenn es sich nicht am Schalter ein- und ausschalten lässt.  
Jedes Elektrowerkzeug, das nicht mit dem Schalter betätigt werden kann, stellt eine Gefahr dar und muss repariert werden.
  - c) Ziehen Sie den Netzstecker, ehe Sie Einstellarbeiten vornehmen, Zubehörteile tauschen oder das Elektrowerkzeug verstauen.  
Solche präventiven Sicherheitsmaßnahmen verhindern den unbeabsichtigten Anlauf des Elektrowerkzeugs und die damit verbundenen Gefahren.
  - d) Lagern Sie nicht benutzte Elektrowerkzeuge außerhalb der Reichweite von Kindern, lassen Sie nicht zu, dass Personen das Elektrowerkzeug bedienen, die nicht mit dem Werkzeug selbst und/oder diesen Anweisungen vertraut sind.  
Elektrowerkzeuge in ungeschulten Händen sind gefährlich.
  - e) Halten Sie Elektrowerkzeuge in Stand. Prüfen Sie auf Fehlansrichtungen, sicheren Halt und Leichtgängigkeit beweglicher Teile, Beschädigungen von Teilen und auf jegliche andere Zustände, die sich auf den Betrieb des Elektrowerkzeugs auswirken können.

Bei Beschädigungen lassen Sie das Elektrowerkzeug reparieren, ehe Sie es benutzen. Viele Unfälle mit Elektrowerkzeugen sind auf schlechte Wartung zurückzuführen.

- f) Halten Sie Schneidwerkzeuge scharf und sauber. Richtig gewartete Schneidwerkzeuge mit scharfen Schneidkanten bleiben weniger häufig hängen und sind einfacher zu beherrschen.
- g) Benutzen Sie Elektrowerkzeuge, Zubehör, Werkzeugspitzen und Ähnliches in Übereinstimmung mit diesen Anweisungen und auf die für das jeweilige Elektrowerkzeug bestimmungsgemäße Weise – beachten Sie dabei die jeweiligen Arbeitsbedingungen und die Art und Weise der auszuführenden Arbeiten.

Der bestimmungswidrige Einsatz von Elektrowerkzeugen kann zu gefährlichen Situationen führen.

- 5) Service
  - a) Lassen Sie Elektrowerkzeuge durch qualifizierte Fachkräfte und unter Einsatz passender, zugelassener Originalteile warten. Dies sorgt dafür, dass die Sicherheit des Elektrowerkzeugs nicht beeinträchtigt wird.

**VORSICHT**  
 Von Kindern und gebrechlichen Personen fernhalten. Werkzeuge sollten bei Nichtgebrauch außerhalb der Reichweite von Kindern und gebrechlichen Personen aufbewahrt werden.

**TECHNISCHE DATEN**

Modell	FCJ65V3	FCJ65S3
Spannung (je nach Gebiet)*	(110V, 115V, 120V, 127V, 220V, 230V, 240V)~	
Leistungsaufnahme	400W*	
Max. Schnitttiefe	Holz: 65mm Flußstahl: 6mm	
Leerlaufhubzahlen	0 – 3000 min <sup>-1</sup>	3000 min <sup>-1</sup>
Hub	18mm	
Mindestschnittradius	25mm	
Gewicht (ohne kabel)	1,5kg	

\* Vergessen Sie nicht, die Produktangaben auf dem Typenschild zu überprüfen, da sich diese je nach Verkaufsgebiet ändern.

**STANDARDZUBEHÖR**

- (1) Sägeblatt Nr.31 ..... 1  
Für Schneiden von dickem Bauholz
  - (2) Splitterschutz ..... 1
  - (3) Schnipseldeckel ..... 1
  - (4) Innensechskantschlüssel ..... 1
- Das Standardzubehör kann ohne vorherige Bekanntmachung jederzeit geändert werden.

**SONDERZUBEHÖR (separat zu beziehen)**

- (1) Sägeblätter, Nr.1 – Nr.6, Nr.31\*  
\* Sägeblatt Nr.31 ist Standardzubehör.
  - (2) Führungsrolle
- Das Sonderzubehör kann ohne vorherige Bekanntmachung jederzeit geändert werden.

**ANWENDUNGEN**

- Schneiden verschiedener Nutzhölzer (auch Aussparungen)
- Schneiden von Flußstahlblechen, Aluminiumblechen und Kupferblechen
- Schneiden von Kunstharzen wie Phenolharz und Vinylchlorid
- Schneiden von dünnen und weichen Baumaterialien

**VOR DER INBETRIEBNAHME**

- 1. **Netzspannung**  
Prüfen, daß die zu verwendende Netzspannung der Angabe auf dem Typenschild entspricht.

- 2. **Netzschalter**  
Prüfen, daß der Netzschalter auf "AUS" steht. Wenn der Stecker an das Netz angeschlossen wird, während der Schalter auf "EIN" steht, beginnt das Werkzeug sofort zu laufen, was gefährlich ist.
- 3. **Verlängerungskabel**  
Wenn der Arbeitsbereich nicht in der Nähe des Netzanschlusses liegt, ist ein Verlängerungskabel ausreichenden Querschnitts und ausreichender Nennleistung zu verwenden. Das Verlängerungskabel sollte so kurz wie möglich gehalten werden.

**ANBRINGEN DES SÄGEBLATTS**

- 1. Lösen Sie die Klemmschrauben am Sägeblatthalter mit dem Sechskantschlüssel, wie in **Abb. 1(a)** gezeigt.
- 2. Das Sägeblatt mit der Schnittseite nach vorn halten und den Befestigungsteil des Sägeblatts bis zum Anschlag in den Schlitz der Schwingspule einschieben.
- 3. Gemäß **Abb. 1(b)** wird die seitliche Klemmschraube fest angezogen.

**ACHTUNG**  
 ○ Lose Klemmschrauben können zur Beschädigung des Sägeblattes führen. Es ist immer darauf zu achten, daß die Klemmschrauben fest angezogen sind. Es ist ferner darauf zu achten, daß der Schlitz der Schwingspule sauber und ohne Sägemehl ist, um eine richtige Befestigung des Sägeblattes und richtiges Klemmen der Klemmschrauben zu gewährleisten.

## 4. Verstauen des Sechskantschlüssels

- (1) Schieben Sie den Schlüssel in die seitliche Gehäuseöffnung ein, halten Sie das kurze Ende dabei waagrecht (siehe **Abb. 2**).
- (2) Fixieren Sie den Sechskantschlüssel, wie in **Abb. 2** gezeigt, durch Drehen.

---

## EINSTELLEN DER FÜHRUNGSROLLE

---

Die Führungsrolle wird, wie in **Abb. 3** gezeigt, verwendet, um das Abspringen des Sägeblattes zu verhindern. Vor der Benutzung wird die Führungsrolle wie folgt eingestellt:

- (1) Die Klemmschraube des Halters wird mit dem Sechskantinnenschlüssel gelockert.
- (2) Die Führungsrolle vorsichtig verschieben, bis die Rollennut leicht die Rückseite des Sägeblatts berührt.

### ANMERKUNG

Bei Lieferung ab Werk ist ein Zwischenraum von etwa 3mm zwischen der Rolle und dem Sägeblatt vorhanden.

- (3) Die Klemmschraube des Halters wird fest angezogen.

### ACHTUNG

- Die Führungswalze kann nur für Sägeblätter verwendet werden, die hinten eine gerade Linie von mehr als 50mm Länge haben. (**Abb. 4A** und **4B**) Bei Verwendung anderer Sägeblätter (**Abb. 4C**) die Führungswalze in Rückwärtsrichtung einschieben, so daß die Führungswalze nicht das Sägeblatt berührt.
- Beim Schneiden dicker Bretter und bei fortgesetzten Schneidevorgängen das in **Abb. 4A, 4B** gezeigte Blatt verwenden und unbedingt die Führungsrolle einstellen.

---

## LAGE DES SCHNIPSELDECKELS

---

### 1. Schnipseldeckel

Den Schnipseldeckel verwenden, um das Spritzen von Schnittpartikeln zu vermeiden und die Säge leicht zu bedienen.

Zum Aufsetzen des Schnipseldeckels leicht die Vorderseite drücken.

Der Schnipseldeckel kann in drei Stellungen aufgesetzt werden, wie in **Abb. 5** gezeigt.

### 2. Wahl der Position des Schnipseldeckels

Den Schnipseldeckel beim Anbringen oder Abnehmen des Sägeblattes in die erste Stellung stellen.

Den Schnipseldeckel beim Sägen von Holzmaterialien in die zweite Stellung stellen.

Den Schnipseldeckel beim Sägen von Metallmaterialien wie Blech in die dritte Stellung stellen.

### ACHTUNG

- Halten Sie die Späneabdeckung beim Betrieb des Werkzeugs immer in der niedrigen Position.
- Immer eine Schutzbrille tragen, auch wenn der Schnipseldeckel verwendet wird.

---

## EINSTELLEN DER ARBEITSGESCHWINDIGKEIT DES SÄGEBLATTES ..... (Nur FCJ65V3)

---

### ANMERKUNG

Die Sägeblattgeschwindigkeit kann beim Modell FCJ65S3 nicht eingestellt werden.

Die Arbeitsgeschwindigkeit des Sägeblattes kann innerhalb eines Bereichs von 0 bis 3000 min<sup>-1</sup> je nach Druck auf den Drückerschalter eingestellt werden. Die für das Material des Arbeitsstückes und/oder die Arbeitsbedingungen geeignete Geschwindigkeit wird gewählt. Für kontinuierlichen Betrieb wird der Drückerschalter ganz zurückgezogen und der Arretierknopf gedrückt. Dann wird der Knopf für die Geschwindigkeitsregelung zur Einstellung der gewünschten Arbeitsgeschwindigkeit des Sägeblattes eingestellt.

### ANMERKUNG

Der Einstellknopf für die Geschwindigkeit hat etwa 1,5 Umdrehungen. Zum Ausschalten wird der Drückerschalter erneut gezogen, so daß der Arretierknopf freigegeben wird, und dann wird der Drückerschalter losgelassen.

---

## SCHNEIDEN

---

### ACHTUNG

- Beim Sägen muß der Sägefisch fest auf der Oberfläche des Werkstücks auf liegen und das Sägeblatt im rechten Winkel gehalten werden. Wenn der Sägefisch das Material nicht berührt, kann das zum zerbrechen des Sägeblatts führen.
- Wenn Sie beim Schneiden die Vorderseite halten, auf das sich auf- und abwegende Sägeblatt achten und das Oberteil festhalten.

### 1. Parallelschneiden

- (1) Für genaues, geradliniges Schneiden den Sonderzubehörführer wie auf **Abb. 6** gezeigt verwenden.

- (2) Den Splitterschutz verwenden, um die Rauigkeit der Sägefläche von Holzmaterialien zu verringern. Der Splitterschutz wird von der Vordersektion des Sägefisches eingesetzt, bis er einrastet. (**Abb. 7**)

### ACHTUNG

Den Sägefisch nach vorne stellen, wenn der Splitterschutz verwendet wird.

### 2. Schneiden eines Kreises oder eines Kreisbogens

Um zweckmäßiges Schneiden zu erreichen, Sonderzubehörführer, Nagel und Holzschraube wie auf **Abb. 8** gezeigt verwenden.

Zum Anbringen des Führers die Bodenschraube lockern und den Boden soweit wie möglich nach vorn schieben.

### 3. Sägen von Bogenlinien

Beim Sägen eines kleinen Kreisbogens wird die Schiebgeschwindigkeit der Maschine verringert. Wenn die Maschine zu schnell geschoben wird, könnte das zum zerbrechen des Sägeblatts führen.

### 4. Schneiden von Metallen

Immer ein geeignetes Schneidemittel verwenden (Spindelöl, Seifenwasser, usw.). Wenn ein flüssiges Schneidemittel nicht zur Verfügung steht, wird auf die Rückseite des zu schneidenden Materials Fett aufgetragen.

### 5. Schneiden von Löchern

- (1) In Schnittholz

Die Schnittrichtung wird der Faserrichtung des Holzes angepasst. Es wird Schritt für Schritt geschnitten, bis ein Fenster in der Mitte des Schnittholzes entstanden ist. (**Abb. 9**)

- (2) In anderen Materialien  
 Beim Schneiden eines Fensters in anderen Materialien als Holz wird zu Anfang ein Loch mit einer Bohrmaschine oder einem ähnlichen Werkzeug gebohrt, von dem aus das Schneiden beginnt.

**6. Schrägschnitte**

Den Schnipseldeckel in die erste Stellung stellen. (Abb. 5)

Für die Einstellung des Neigungswinkels wird die Bodenschraube gelockert, die Position des Bodens am seitlichen Schlitz der Halbkreisführung verschoben und die Skala auf der Halbkreisführung (die auf der Skala eingravierten Zahlen bedeuten den Neigungswinkel) mit der Gehäusekante eingereicht, und die bodenschraube fest angezogen. (Abb. 10 und 11)

**ACHTUNG**

Bei Verwendung der Führungsrolle die Schraube in die der Neigeseite entgegengesetzten Seite stellen. (Abb. 12)

**7. Im Betrieb anfallender Staub**

**ACHTUNG**

- Damit es nicht zu Unfällen kommt, schalten Sie den Strom ab und ziehen den Netzstecker, wenn Sie das Gerät nicht verwenden.
- Eine Anleitung zur Verwendung des Staubsammlers zum Absaugen von Sägespänen und Staub finden Sie in der Bedienungsanleitung zum Staubsammler.

*Im Betrieb anfallender Staub kann gesundheitsschädlich sein. Wir empfehlen Folgendes.*

- a) Tragen Sie eine Staubschutzmaske**
- b) Nutzen Sie eine externe Staubabsaugvorrichtung**

Wenn Sie den externen Staubsammler verwenden, stecken Sie das Gummi-Adapterstück (Staubsammlerzubehör) auf das Schlauchende des externen Staubsammlers.

Stecken Sie anschließend das andere Ende des Gummi-Adapterstücks auf den Schlauchanschluss am hinteren Ende der Stichsäge. (siehe Abb. 13)

**AUSWAHL DER SÄGEBLÄTTER**

**1. Standardmaßiges Zubehör**

Für maximale Leistung und beste Ergebnisse ist es sehr wichtig, das richtige Sägeblatt auszuwählen, das am besten für die Art und Dicke des zu schneidenden Materials geeignet ist. Als Standardzubehör wird ein Sägeblatttyp geliefert. Die Nummer des Sägeblattes ist in der Nähe der Halterung jedes Sägeblattes eingraviert. Das geeignete Sägeblatt wird anhand von **Tabelle 1** ausgewählt.

**Tabelle 1** Liste der geeigneten Sägeblätter

Zu schneidendes Material	Materialqualität	Blatt-Nr.
Schnittholz	Allgemeines Schnittholz	Nr.1 oder Nr.31 (Dicke Platte) oder Nr.41 (Dicke Platte) oder Nr.2 (Dünne Platte)
	Furnierplatten	Nr.3 oder Nr.6
Einseblech	Flußstahlblech	Nr.6
Nichteisenmetalle	Aluminium, Kupfer, Messing	Nr.6
Kunststoffe	Phenolharz, Melaminharz usw.	Nr.4 (Dicke Platte) oder Nr.6 (Dünne Platte)
	Vinylchlorid, Acrylharz, usw.	Nr.2 (Dicke Platte), Nr.4 (Dicke Platte) oder Nr.6 (Dünne Platte)
	Geschäumtes Styrol, usw	Nr.2
Holzfasermaterial	Pappe, Wellpappe	Nr.2
	Hartfaserplatte	Nr.5 oder Nr.6
	Faserplatte	Nr.6
Sonstige	Hartgummi	Nr.2
	Schiefer	Nr.5

**2. Verwendbare kommerzielle Sägeblätter (Abb. 14)**

Diese Maschine ist für die meisten auf dem Markt erhältlichen Sägeblätter geeignet. Wie in **Abb. 14** gezeigt, unterliegen die Sägeblattabmessungen den folgenden Beschränkungen:

- Dicke : L2 ..... Weniger als 1,6mm
- Breite : L3 ..... 6,3mm
- L4 ..... 8mm
- L5 ..... 7mm

**ANMERKUNG**

Beim Sägen von dicken Materialien nur echte HITACHI-Sägeblätter mit einer Neigung wie in **Abb. 4-A** oder **B** gezeigt verwenden.

**WARTUNG UND INSPEKTION**

**1. Inspektion des Sägeblattes**

Die Weiterverwendung eines stumpfen oder beschädigten Sägeblattes führt zu verminderter Schnittleistung und kann eine Überbelastung des Motors hervorrufen. Das Sägeblatt wird durch ein neues ersetzt, wenn übermäßige Abnutzung festgestellt wird.

**2. Inspektion der Befestigungsschraube**

Alle Befestigungsschrauben werden regelmäßig inspiziert und geprüft, ob sie gut angezogen sind.

Wenn sich eine der Schrauben lockert, muß sie sofort wieder angezogen werden. Geschieht das nicht, kann das zu erheblichen Gefahren führen.

### 3. **Wartung des Motors**

Die Motorwicklung ist das "Herz" des Elektrowerkzeugs. Daher ist besonders sorgfältig darauf zu achten, daß die Wicklung nicht beschädigt wird und/oder mit Öl oder Wasser in Berührung kommt.

### 4. **Auswechseln des Netzkabels**

Wenn das Netzkabel des Werkzeugs beschädigt wird, muss das Werkzeug zum Auswechseln des Netzkabels an ein von Hitachi autorisiertes Wartungszentrum zurückgegeben werden.

### 5. **Instandhaltung**

Im Falle eines Versagens eine autorisierte Wartungswerkstatt zu Rate ziehen.

### 6. **Liste der Wartungsteile**

#### **ACHTUNG**

Reparatur, Modifikation und Inspektion von Hitachi-Elektrowerkzeugen müssen durch ein autorisiertes Hitachi-Kundendienstzentrum durchgeführt werden. Diese Teileliste ist hilfreich, wenn sie dem autorisierten Hitachi-Kundendienstzentrum zusammen mit dem Werkzeug für Reparatur oder Wartung ausgehändigt wird.

Bei Betrieb und Wartung von Elektrowerkzeugen müssen die Sicherheitsvorschriften und Normen beachtet werden.

#### **MODIFIKATIONEN**

Hitachi-Elektrowerkzeuge werden fortwährend verbessert und modifiziert, um die neuesten technischen Fortschritte einzubauen.

Dementsprechend ist es möglich, daß einige Teile ohne vorherige Benachrichtigung geändert werden.

---

#### **ANMERKUNG**

Aufgrund des ständigen Forschungs- und Entwicklungsprogramms von HITACHI sind Änderungen der hierin gemachten technischen Angaben nicht ausgeschlossen.

---

---

---

---

#### **Information über Betriebslärm und Vibration**

Die gemessenen Werte wurden entsprechend EN60745 bestimmt und in Übereinstimmung mit ISO 4871 ausgewiesen.

[FCJ65V3]

Gemessener A-gewichteter Schallpegel: 96 dB (A)

Gemessener A-gewichteter Schalldruck: 85 dB (A)

Messunsicherheit KpA: 3 dB (A)

Bei der Arbeit immer einen Ohrenschutz tragen.

Der typische gewogene quadratische Mittelwert für die Beschleunigung ist 7,6 m/s<sup>2</sup>.

---

---

## ΓΕΝΙΚΑ ΜΕΤΡΑ ΑΣΦΑΛΕΙΑΣ

### ΠΡΟΣΟΧΗ!

#### Διαβάστε όλες τις οδηγίες

Αν δεν τηρηθούν όλες οι οδηγίες που αναφέρονται παρακάτω, ενδέχεται να προκληθεί ηλεκτροπληξία, πυρκαγιά ή/και σοβαρός τραυματισμός.

Ο όρος “ηλεκτρικό εργαλείο” σε όλες τις προειδοποιήσεις που αναφέρονται παρακάτω αναφέρεται στο ηλεκτρικό εργαλείο που λειτουργεί με το ρεύμα του ηλεκτρικού δικτύου (με καλώδιο) ή στο ηλεκτρικό εργαλείο που λειτουργεί με μπαταρία (χωρίς καλώδιο).

### ΦΥΛΑΞΤΕ ΑΥΤΕΣ ΤΙΣ ΟΔΗΓΙΕΣ

#### 1) Χώρος εργασίας

a) **Διατηρείτε το χώρο εργασίας καθαρό και καλά φωτισμένο.**

Οι ακατάστατοι και οι σκοτεινοί χώροι έχουν την τάση να προκαλούν ατυχήματα.

b) **Μη χρησιμοποιείτε τα ηλεκτρικά εργαλεία σε εκρηκτικές ατμόσφαιρες, όπως όταν είναι παρόντα εύφλεκτα υγρά, αέρια ή σκόνη.**

Τα ηλεκτρικά εργαλεία δημιουργούν σπινθήρες οι οποίοι ενδέχεται να προκαλέσουν την ανάφλεξη αυτών των υλικών.

c) **Κρατήστε τα παιδιά και τους παρευρισκόμενους μακριά όταν χρησιμοποιείτε ένα ηλεκτρικό εργαλείο.**  
Αν αποσπαστεί η προσοχή σας, υπάρχει κίνδυνος να χάσετε τον έλεγχο.

#### 2) Ηλεκτρική ασφάλεια

a) **Τα φως των ηλεκτρικών εργαλείων πρέπει να είναι κατάλληλα για τις πρίζες.**

**Μην τροποποιήσετε ποτέ το φως με οποιονδήποτε τρόπο.**

**Μη χρησιμοποιείτε φως προσαρμογής με γειωμένα ηλεκτρικά εργαλεία.**

Τα μη τροποποιημένα φως και οι κατάλληλες πρίζες μειώνουν τον κίνδυνο ηλεκτροπληξίας.

b) **Αποφύγετε τη σωματική επαφή με γειωμένες επιφάνειες όπως σωλήνες, θερμάστρες, μαγειρικές συσκευές και ψυγεία.**

Υπάρχει αυξημένος κίνδυνος ηλεκτροπληξίας όταν το σώμα σας είναι γειωμένο.

c) **Μην εκθέτετε τα ηλεκτρικά εργαλεία στη βροχή ή σε συνθήκες υγρασίας.**

Το νερό που εισέρχεται σε ένα ηλεκτρικό εργαλείο αυξάνει τον κίνδυνο ηλεκτροπληξίας.

d) **Μην ασκείτε δύναμη στο καλώδιο. Μη χρησιμοποιείτε ποτέ το καλώδιο για να μεταφέρετε, να τραβήξετε ή να βγάλετε από την πρίζα το ηλεκτρικό εργαλείο.**

**Κρατήστε το καλώδιο μακριά από θερμότητα, λάδι, κοφτερές γωνίες και κινούμενα μέρη.**

Τα κατεστραμμένα ή μπερδεμένα καλώδια αυξάνουν τον κίνδυνο ηλεκτροπληξίας.

e) **Όταν χρησιμοποιείτε το εργαλείο σε εξωτερικό χώρο, χρησιμοποιήστε καλώδιο προέκτασης που προορίζεται για χρήση σε εξωτερικό χώρο.**  
Η χρήση ενός καλωδίου κατάλληλου για εξωτερικό χώρο μειώνει τον κίνδυνο ηλεκτροπληξίας.

#### 3) Προσωπική ασφάλεια

a) **Να είστε σε ετοιμότητα, να βλέπετε αυτό που κάνετε και να χρησιμοποιείτε την κοινή λογική όταν χρησιμοποιείτε ένα ηλεκτρικό εργαλείο.**

**Μη χρησιμοποιείτε ηλεκτρικά εργαλεία όταν είστε κουρασμένοι ή υπό την επήρεια ναρκωτικών ουσιών, οινοπνεύματος ή φαρμάκων.**

Μια στιγμή απροσεξίας κατά τη χρήση ενός ηλεκτρικού εργαλείου μπορεί να προκαλέσει σοβαρό προσωπικό τραυματισμό.

b) **Χρησιμοποιείτε εξοπλισμό ασφαλείας, Να φοράτε πάντοτε προστατευτικά γυαλιά για τα μάτια.**

Εξοπλισμός ασφαλείας όπως μάσκα για τη σκόνη, αντιλιοσθητικά υποδήματα, σκληρό κάλυμμα κεφαλής ή προστατευτικά ακούς που χρησιμοποιούνται στις αντίστοιχες συνθήκες μειώνουν τις πιθανότητες τραυματισμού.

c) **Να αποφεύγετε την κατά λάθος έναρξη λειτουργίας. Να βεβαιώνετε ότι ο διακόπτης είναι στην κλειστή θέση (off) πριν τοποθετήσετε το φως στην πρίζα.**

Η μεταφορά ηλεκτρικών εργαλείων με το δάχτυλο στο διακόπτη λειτουργίας ή η σύνδεση ηλεκτρικών εργαλείων στο ρεύμα με το διακόπτη ανοιχτό αυξάνει τις πιθανότητες ατυχήματος.

d) **Να αφαιρείτε τυχόν κλειδιά ρυθμιζόμενου ανοίγματος ή τα απλά κλειδιά πριν θέσετε σε λειτουργία το ηλεκτρικό εργαλείο.**

Ένα απλό κλειδί ή ένα κλειδί ρυθμιζόμενου ανοίγματος που είναι προσαρτημένο σε περιστρεφόμενο εξάρτημα του ηλεκτρικού εργαλείου μπορεί να προκαλέσει προσωπικό τραυματισμό.

e) **Μην τεντώνετε. Να διατηρείτε πάντοτε το κατάλληλο πάτημα και την ισορροπία σας.**

Με αυτόν τον τρόπο μπορείτε να ελέγχετε καλύτερα το ηλεκτρικό εργαλείο σε μη αναμενόμενες καταστάσεις.

f) **Να είστε ντυμένοι κατάλληλα. Μη φοράτε φαρδιά ρούχα ή κοσμήματα. Να κρατάτε τα μαλλιά σας, τα ρούχα σας και τα γάντια σας μακριά από κινούμενα μέρη.**

Τα φαρδιά ρούχα, τα κοσμήματα και τα μακριά μαλλιά μπορεί να πιαστούν σε κινούμενα μέρη.

g) **Αν παρέχονται εξαρτήματα για τη σύνδεση συσκευών εξαγωγής και συλλογής σκόνης, να βεβαιώνετε ότι είναι συνδεδεμένα και χρησιμοποιούνται με το σωστό τρόπο.**

Η χρήση αυτών των συσκευών μπορεί να μειώσει τους κινδύνους που σχετίζονται με τη σκόνη.

#### 4) Χρήση και φροντίδα ηλεκτρικών εργαλείων

a) **Μην ασκείτε δύναμη στο ηλεκτρικό εργαλείο. Να χρησιμοποιείτε το ηλεκτρικό εργαλείο που είναι κατάλληλο για το είδος της εργασίας που εκτελείτε.**  
Το κατάλληλο ηλεκτρικό εργαλείο θα εκτελέσει την εργασία καλύτερα και με μεγαλύτερη ασφάλεια με τον τρόπο που σχεδιάστηκε.

b) **Μη χρησιμοποιήσετε το ηλεκτρικό εργαλείο αν ο διακόπτης λειτουργίας δεν ανοίγει και δεν κλείνει.**  
Ένα ηλεκτρικό εργαλείο που δεν ελέγχεται από το διακόπτη λειτουργίας είναι επικίνδυνο και πρέπει να επισκευαστεί.

c) **Βγάλετε το φως από την πρίζα πριν κάνετε οποιοδήποτε ρυθμίσεις, αλλάξετε εξαρτήματα ή αποθηκεύσετε το ηλεκτρικό εργαλείο.**

Αυτά τα προληπτικά μέτρα ασφαλείας μειώνουν τον κίνδυνο να ξεκινήσει το ηλεκτρικό εργαλείο κατά λάθος.

d) **Αποθηκεύστε τα εργαλεία που δεν χρησιμοποιείτε μακριά από παιδιά και μην αφήνετε τα άτομα που δεν είναι εξοικειωμένα με το ηλεκτρικό εργαλείο ή με αυτές τις οδηγίες να χρησιμοποιούν το ηλεκτρικό εργαλείο.**

Τα ηλεκτρικά εργαλεία είναι επικίνδυνα στα χέρια μη εκπαιδευμένων ατόμων.

- e) Συντηρείτε τα ηλεκτρικά εργαλεία. Να ελέγχετε την ευθυγράμμιση τους ή το μπλοκάρισμα των κινούμενων μερών, τη θραύση των εξαρτημάτων και οποιαδήποτε άλλη κατάσταση που ενδέχεται να επηρεάσει τη λειτουργία του ηλεκτρικού εργαλείου. Σε περίπτωση θλάξης, το ηλεκτρικό εργαλείο πρέπει να επισκευαστεί πριν χρησιμοποιηθεί. Πολλά ατυχήματα προκαλούνται από ηλεκτρικά εργαλεία που δεν έχουν συντηρηθεί σωστά.
- f) Διατηρείτε τα εργαλεία κοπής κοφτερά και καθαρά. Τα κατάλληλα συντηρημένα εργαλεία κοπής με κοφτερές γωνίες μπλοκάρουν πιο δύσκολα και ελέγχονται πιο εύκολα.
- g) Χρησιμοποιείτε το ηλεκτρικό εργαλείο, τα εξαρτήματα, τις μύτες των εργαλείων κλπ., σύμφωνα με αυτές τις οδηγίες και με τρόπο που είναι κατάλληλος για τον συγκεκριμένο τύπο ηλεκτρικού εργαλείου, λαμβάνοντας υπόψη τις συνθήκες εργασίας και την εργασία που πρόκειται να εκτελεστεί.

Η χρήση του ηλεκτρικού εργαλείου σε λειτουργίες διαφορετικές από εκείνες για τις οποίες προορίζεται μπορεί να δημιουργήσει επικίνδυνες καταστάσεις.

- 5) Σέρβις  
a) Να δίνετε το ηλεκτρικό εργαλείο για σέρβις σε κατάλληλα εκπαιδευμένα άτομα και να χρησιμοποιείτε μόνο γνήσια ανταλλακτικά. Με αυτόν τον τρόπο είστε σίγουροι για την ασφάλεια του ηλεκτρικού εργαλείου.

## ΠΡΟΦΥΛΑΞΗ

Μακριά από τα παιδιά και τους αναπήρους. Όταν δεν χρησιμοποιούνται, τα εργαλεία πρέπει να φυλάσσονται μακριά από τα παιδιά και τους αναπήρους.

## ΤΕΧΝΙΚΑ ΧΑΡΑΚΤΗΡΙΣΤΙΚΑ

Μοντέλο	FCJ65V3	FCJ65S3
Τάση (ανά περιοχές)*	(110V, 115V, 120V, 127V, 220V, 230V, 240V)~	
Ισχύς Εισόδου*	400W*	
Μεγ. Βάθος Κοπής	Wood: 65mm Mild steel: 6mm	
Ταχύτητα χωρίς φορτίο	0 – 3000 min <sup>-1</sup>	3000 min <sup>-1</sup>
Διαδρομή	18mm	
Ελαχ. Ακτίνα Κοπής	25mm	
Βάρος (χωρίς καλώδιο)	1,5kg	

\* Βεβαιωθείτε να ελέγξετε την πινακίδα στο προϊόν επειδή υπόκεινται σε αλλαγή σε εξάρτηση από την περιοχή.

## ΚΑΝΟΝΙΚΑ ΕΞΑΡΤΗΜΑΤΑ

- (1) Λεπίδες Αρ. 31 ..... 1  
Για κόψιμο χονδρού ξύλου
- (2) Προφυλακτήρας σχίζας ..... 1
- (3) Κάλυμμα ρινισμάτων ..... 1
- (4) Εξάγωνο κλειδί Άλεν ..... 1
- Τα κανονικά εξαρτήματα μπορούν να αλλάξουν χωρίς προειδοποίηση.

## ΟΠΡΟΑΙΡΕΤΙΚΑ ΕΞΑΡΤΗΜΑΤΑ (Πωλούνται ξεχωριστά)

- (1) Λεπίδες, Αρ. 1 – Αρ. 6, 31\*  
\* Η λεπίδα αρ. 31 είναι το παρεχόμενο εξάρτημα.
- (2) Οδηγός  
Τα προαιρετικά εξαρτήματα υπόκεινται σε αλλαγή χωρίς προειδοποίηση.

## ΕΦΑΡΜΟΓΕΣ

- Κοπή διάφορων τύπων ξυλείας και άνοιγμα κοιλοτήτων
- Κοπή φύλλων μαλακού ατσάλιου, αλουμινένιων φύλλων, και φύλλων χαλκού
- Κοπή συνθετικών ρητινών, όπως φαινολικές ρητίνες, και βινυλοχλωρίδιο
- Κοπή λεπτών και μαλακών οικοδομικών υλικών

## ΠΡΙΝ ΤΗ ΛΕΙΤΟΥΡΓΙΑ

1. Πηγή ρεύματος  
Βεβαιωθείτε ότι η πηγή ρεύματος που πρόκειται να χρησιμοποιηθεί είναι εναρμονισμένη με τις απαιτήσεις σε ρεύμα που αναφέρονται στην πινακίδα του εργαλείου.
2. Διακόπτης ρεύματος  
Βεβαιωθείτε ότι ο διακόπτης ρεύματος βρίσκεται στη θέση OFF. Αν το βίσμα είναι στη μπρίζα καθώς ο διακόπτης ρεύματος βρίσκεται στο ON, το εργαλείο θα αρχίσει να λειτουργεί αμέσως, με πιθανότητα πρόκλησης σοβαρού ατυχήματος.
3. Καλώδιο προέκτασης  
Όταν ο χώρος εργασίας βρίσκεται μακριά από την παροχή ρεύματος, χρησιμοποιήστε ένα καλώδιο προέκτασης με κατάλληλο πάχος και ικανότητα μεταφοράς ρεύματος. Το καλώδιο προέκτασης πρέπει να είναι τόσο κοντό όσο είναι πρακτικά δυνατό.

## ΣΤΕΡΕΩΣΗ ΤΗΣ ΛΕΠΙΔΑΣ

1. Χρησιμοποιήστε το παρεχόμενο εξάγωνο κλειδί Άλεν για να χαλαρώσετε τις βίδες λεπίδας πάνω στο δτήριγμα λεπίδας όπως φαίνεται στην **Εικ. 1(α)**.
2. Κρατώντας την λεπίδα με την κόψη να βλέπει μπροστά, εισάγετε το τμήμα της λεπίδας στην εγκοπή του εμβόλου μέχρι να φτάσει στο κατώτερο της εγκοπής.



3. Όπως φαίνεται στην **Εικ. 1(b)**, σφίγγετε καλά τη πλευρική βίδα.

#### ΠΡΟΣΟΧΗ

- Χαλαρωμένες βίδες μπορεί να προκαλέσουν ζημιά στη λεπίδα. Να σιγουρεύεστε πάντα ότι οι βίδες σφίγγονται καλά. Να σιγουρεύεστε πάντα ότι η εγκοπή του εμβόλου είναι καθαρή και να δεν έχει προνιόδια για σωστή στερέωση της λεπίδας και σφιξιμο της βίδας.
4. Τοποθέτηση του εξαγώνου κλειδι Άλεν
- (1) Το εισάγετε σε μια τρύπα στη πλευρά του κυρίου σώματος κρατώντας τη κοντή πλευρά οριζόντια όπως φαίνεται στην **Εικ. 2**.
  - (2) Περιστρέψετε το εξαγώνο κλειδί Άλεν και σφίγγετε όπως φαίνεται στην **Εικ. 2**.

#### ΡΥΘΜΙΣΗ ΤΟΥ ΚΥΛΙΝΔΡΙΚΟΥ ΟΔΗΓΟΥ

Ο κυλινδρικός οδηγός, όπως φαίνεται στην **Εικ. 3**, υπάρχει για να αποτρέπει το σπάσιμο της λεπίδας. Πριν τη χρήση, ρυθμίστε το κυλινδρικό οδηγό σύμφωνα με τις παρακάτω διαδικασίες:

- (1) Χαλαρώστε την βίδα στερέωσης με το παρεχόμενο εξαγώνο κλειδί Άλεν.
- (2) Κυλήστε απαλά τον κυλινδρικό οδηγό μέχρι η εγκοπή σχεδόν να ακουμπήσει στο πίσω μέρος της λεπίδας.

#### ΣΗΜΕΙΩΣΗ

Κατά τη παράδοση από το εργοστάσιο, υπάρχει ένα διάκενο περίπου 3mm ανάμεσα στον κύλινδρο και τη λεπίδα.

- (3) Σφίξτε καλά την βίδα στερέωσης.

#### ΠΡΟΣΟΧΗ

- Ο κυλινδρικός οδηγός μπορεί να χρησιμοποιηθεί μόνο για λεπίδες που έχουν ευθεία γραμμή στο πίσω μέρος και είναι πιο μακριές από 50mm. (**Εικ. 4A** και **4B**) Όταν χρησιμοποιήτε λεπίδες άλλου τύπου (**Εικ. 4C**), κυλήστε τον κυλινδρικό οδηγό προς τα πίσω για να μη αγγίζει τη λεπίδα.
- Για κόψιμο του χοντρός σανίδας ή κόψιμο συνεχούς λειτουργίας, χρησιμοποιήστε τη λεπίδα που φαίνεται στην **Εικ. 4A, 4B** και σιγουρευτείτε να τοποθετείτε τον κυλινδρικό οδηγό.

#### ΤΟΠΟΘΕΤΗΣΗ ΤΟΥ ΚΑΛΥΜΜΑΤΟΣ ΡΙΝΙΣΜΑΤΩΝ

##### 1. Κάλυμμα ρινισμάτων

Χρησιμοποιήστε το κάλυμμα ρινισμάτων για να μειώσετε τα παραγόμενα μόρια κοπής και να λειτουργεί εύκολα η σέγα.

Τοποθετήστε το κάλυμμα ρινισμάτων πιέζοντας απαλά τον μπροστινό μέρος.

Το κάλυμμα ρινισμάτων μπορεί να ρυθμιστεί σε τρεις θέσεις όπως φαίνεται στην **Εικ. 5**.

2. Πώς να διαλέξετε τη θέση του καλύμματος ρινισμάτων  
Ρυθμίστε το κάλυμμα ρινισμάτων στη πρώτη θέση όταν βάζετε ή αφαιρείτε τη λεπίδα.  
Ρυθμίστε το κάλυμμα ρινισμάτων στη δεύτερη θέση όταν κόβετε ξύλα.  
Ρυθμίστε το κάλυμμα ρινισμάτων στη δεύτερη ή τρίτη θέση όταν κόβετε μέταλλα όπως ασάλι.

#### ΠΡΟΣΟΧΗ

- Κρατάτε πάντα το κάλυμμα ρινισμάτων σε χαμηλή θέση όταν λειτουργεί η μηχανή.
- Φοράτε προστατευτικά ματιών ακόμη και αν έχετε βάλει το κάλυμμα ρινισμάτων.

#### Ρύθμιση της ταχύτητας λειτουργίας λεπίδας

..... (FCJ65V3 μόνο)

#### ΣΗΜΕΙΩΣΗ

Η ρύθμιση της ταχύτητας λειτουργίας λεπίδας δεν μπορεί να γίνει με το μοντέλο FCJ65S3.

Η ταχύτητα λειτουργίας λεπίδας ρυθμίζεται μεταξύ 0 και 3.000 στροφών ανά λεπτό ανάλογα με τον βαθμό πίεσης του διακόπτη σκανδάλης. Διαλέξτε την κατάλληλη ταχύτητα για το υλικό που κόβετε και / ή την κατάσταση λειτουργίας.

Για να δουλέψετε σε συνεχή λειτουργία, τραβήξτε τον διακόπτη σκανδάλης εντελώς προς τα πίσω και πιέστε το stopper. Μετά γυρίστε το κουμπί ρυθμίσεως ταχύτητας για να ρυθμίσετε την ταχύτητα λειτουργίας λεπίδας όπως επιθυμείτε.

#### ΣΗΜΕΙΩΣΗ

Το κουμπί ρυθμίσεως ταχύτητας περιστρέφεται περίπου 1,5 στροφή. Για να σβήσετε τον διακόπτη, ξανατραβήξτε τον διακόπτη σκανδάλης για να αποδεσμεύσετε το stopper, και αφήστε τον διακόπτη σκανδάλης.

#### ΚΟΠΗ

##### ΠΡΟΣΟΧΗ

- Κατά το πριόνισμα, η βάση πρέπει να ακουμπάει σταθερά στην επιφάνεια του υλικού κοπής, και η λεπίδα πρέπει να είναι σε ορθή γωνία. Εάν η βάση δεν ακουμπάει στο υλικό, αυτό μπορεί να προκαλέσει το σπάσιμο της λεπίδας.
  - Κατά τη κοπή όταν κρατάτε το μπροστινό μέρος, προσέξτε την κινούμενη λεπίδα και κρατάτε το πάνω μέρος σταθερά.
1. **Ευθύγραμμη κοπής**  
(1) Για την διασφάλιση της ακριβούς ευθύγραμμης κοπής, χρησιμοποιήστε το προαιρετικό εξάρτημα οδηγός όπως φαίνεται στην **Εικ. 6**.
  - (2) Χρησιμοποιήστε τον προφυλακτήρα σχισίματος για να μειώσετε την ανωμαλία κοπής στην επιφάνεια της ξυλείας. Προσαρμόστε τον προφυλακτήρα σχισίματος εισάγοντας το στο μπροστινό μέρος της βάσης μέχρι να θηλυκώσει με μεταλλικό ήχο στη θέση του (**Εικ. 7**).

#### ΠΡΟΣΟΧΗ

- Βάλτε την βάση στη μπροστινή θέση όταν χρησιμοποιείται ο προφυλακτήρας σχισίματος.
2. **Κοπή κύκλου ή κυκλικού τόξου**  
Για τη διασφάλιση της αποδοτικής κοπής, χρησιμοποιήστε το προαιρετικό εξάρτημα οδηγό και κραφή ή βίδα ξύλου όπως φαίνεται στην **Εικ. 8**. Όταν τοποθετείτε τον οδηγό, χαλαρώστε την βίδα στη κάτω επιφάνεια της βάσης, και μετακινήστε την βάση όσο μπροστά μπορεί να πάει.
  3. **Πριόνισμα καμπύλων γραμμών**  
Όταν πριονίζετε ένα μικρό κυκλικό τόξο, μειώστε την ταχύτητα τροφοδοσίας της μηχανής. Εάν η μηχανή τροφοδοτηθεί πολύ γρήγορα, η λεπίδα μπορεί να σπάσει.
  4. **Κοπή μεταλλικών υλικών**  
Πάντα χρησιμοποιήστε το κατάλληλο συντελεστή κοπής (μηχανέλαιο, σαπουνόνερο, κ.τ.λ.). Εάν ο υγρός συντελεστής κοπής δεν υπάρχει, βάλτε γράσο σε όλη την επιφάνεια του υλικού που πρόκειται να κοπεί.

**5. Κοπή τρύπας**

**(1) Σε Ξυλεία**

Ευθυγραμμίζοντας τη κατεύθυνση της λεπίδας με τα νερά ξύλου, κόβετε βήμα προς βήμα μέχρι να κοπεί μια τρύπα παράθυρου στο κέντρο της Ξυλείας (**Εικ. 9**).

**(2) Σε άλλα υλικά**

Όταν κόβετε μια τρύπα παράθυρου σε υλικά εκτός από Ξυλεία, πρώτα ανοίξετε μια τρύπα με ένα τρυπάνι ή παρόμοιο εργαλείο από την οποία θα ξεκινήσετε το κόψιμο.

**6. Κοπή του γωνιακού**

Ρυθμίζετε το κάλυμμα ρινομάτων στη πρώτη θέση (**Εικ. 5**).

Για ρύθμιση της γωνίας κλίσης, ξεσφίξετε την βίδα στη πίσω επιφάνεια της βάσης, μετακινήστε τη θέση της βάσης προς την πλευρική εγκοπή του ημικυκλικού τμήματος, ευθυγραμμίστε την κλίμακα στο ημικυκλικό τμήμα (οι ανάγλυφοι αριθμοί στην κλίμακα δείχνουν τη γωνία κλίσης) της βάσης με τον οδηγό στερέωσης, και σφίξετε καλά την βίδα στη κάτω επιφάνεια της βάσης (**Εικ. 10** και **11**).

**ΠΡΟΣΟΧΗ**

Ρυθμίστε την βίδα στη άλλη πλευρά από τη κεκλιμένη πλευρά όταν χρησιμοποιείται ο οδηγός (**Εικ. 12**).

**7. Σκόνη που παράγεται κατά τη λειτουργία**

**ΠΡΟΣΟΧΗ**

- Για τη πρόληψη ατυχημάτων, σβήστε τον διακόπτη και βγάλτε το καλώδιο από την πρίζα όταν το μηχάνημα δεν είναι σε χρήση.
- Για τις οδηγίες χρήσης του συλλέκτη σκόνης και λοιπές εφαρμογές για τα ρινίσματα κοπής, διαβάστε τις εγχειρίδιο οδηγιών του συλλέκτη σκόνης.

Η σκόνη που παράγεται στην κανονική λειτουργία μπορεί να επηρεάσει την υγεία του χρήστη. Κάποιος από τους παρακάτω τρόπους προτείνεται.

**α) Φοράτε μια μάσκα σκόνης**

**β) Χρησιμοποιήστε αυτόνομη μηχανή για συλλογή σκόνης.**

Όταν χρησιμοποιήτε την αυτόνομη μηχανή για συλλογή σκόνης όπως, συνδέστε τον ελαστικό προσαρμογέα (εξάρτημα της αυτόνομης μηχανής για συλλογή σκόνης) με την άκρη του λάστιχου της αυτόνομης μηχανής για συλλογή σκόνης.

Μετά, συνδέστε την άλλη άκρη του ελαστικού προσαρμογέα με το τμήμα στερέωσης του λάστιχου που βρίσκεται στη πίσω άκρη της σέγας (βλ. **Εικ. 13**).

**ΕΠΙΛΟΓΗ ΛΕΠΙΕΔΩΝ**

**1. Ανταλλακτικές λεπίδες**

Για την διασφάλιση της μέγιστης λειτουργικής απόδοσης και των αποτελεσμάτων, είναι πολύ σημαντικό να διαλέξετε την κατάλληλη λεπίδα που ταιριάζει απόλυτα στον τύπο και το πάχος του υλικού που πρόκειται να κοπεί. Ένας τύπος λεπίδας παρέχεται ως κανονικό εξάρτημα. Ο αριθμός της λεπίδας είναι τυπωμένος ανάγλυφα κοντά στο σημείο του τμήματος στερέωσης της κάθε λεπίδας. Διαλέξτε τις κατάλληλες λεπίδες ανατρέχοντας στον **Πίνακα 1**.

**2. Αποδεκτές λεπίδες του εμπορίου (Εικ. 14)**

Αυτή η μηχανή έχει σχεδιαστεί να αποδέχεται τις περισσότερες λεπίδες που κυκλοφορούν στην αγορά.

Όπως φαίνεται στην **Εικ. 14**, οι περιορισμοί διάστασης της λεπίδας είναι ως εξής :

- Πάχος : L2 ..... κάτω από 1,6mm
- Φάρδος : L3 ..... 6,3mm
- L4 ..... 8mm
- L5 ..... 7mm

**ΣΗΜΕΙΩΣΗ**

Όταν κόβετε χοντρά υλικά, χρησιμοποιήτε τη γνήσια λεπίδα της HITACHI που έχουν μια κλίση όπως φαίνεται στην **Εικ. 4-A** ή **B**.

**Πίνακας 1** Λίστα κατάλληλων λεπίδων

Υλικό προς κοπή	Ποιότητα υλικού	Αριθμός λεπίδων
Ξυλεία	Γενική Ξυλεία	Αρ. 1 ή Αρ. 31 (χοντρό φύλλο) ή Αρ. 41 (χοντρό φύλλο) Αρ. 2 (λεπτό φύλλο)
	Κοντραπλακέ	Αρ. 3 ή Αρ. 6
Φύλλο σιδήρου	Φύλλο μαλακού ατσάλιου	Αρ. 6
Μη σιδηρούχο μέταλλο	Αλουμίνιο, χαλκός, μπρούτζος	Αρ. 6
Συνθετική ρητίνη	Φαινόλη ρητίνη, μελανίνη ρητίνη, κ.τ.λ.	Αρ. 4 (χοντρό φύλλο) ή Αρ. 6 (λεπτό φύλλο)
	Βινυλοχλωρίδιο, ακρυλική ρητίνη, κ.τ.λ.	Αρ. 2 ή Αρ. 4 (χοντρό φύλλο) ή Αρ. 6 (λεπτό φύλλο)
	Αφρώδης στυρόλη, κ.τ.λ.	Αρ. 2
Πολτός	Χαρτόνι, αυλακωτό χαρτί	Αρ. 2
	Σκληρή επιφάνεια	Αρ. 5 ή Αρ. 6
	Ινώδης επιφάνεια	Αρ. 6
Άλλα	Σκληρό λάστιχο	Αρ. 2
	Πλάκα	Αρ. 5

---

## ΣΥΝΤΗΡΗΣΗ ΚΑΙ ΕΛΕΓΧΟΣ

---

### 1. Επιθεώρηση της λεπίδας

Η συνεχής χρήση μιας αμβλύς λεπίδας θα προκαλέσει την μειωμένη απόδοση κοπής και μπορεί να προκαλέσει την υπερφόρτιση του μοτέρ. Αντικαταστήστε την λεπίδα με μια καινούργια όταν παρατηρηθεί η υπερβολική φθορά.

### 2. Έλεγχος των θιδών στερέωσης

Ελέγχετε περιοδικά όλες τις βίδες στερέωσης και βεβαιωθείτε ότι είναι κατάλληλα σφιγμένες. Στην περίπτωση που χαλαρώσει οποιαδήποτε βίδα σφίξτε την ξανά αμέσως. Αν δεν το κάνετε αυτό μπορεί να έχει ως αποτέλεσμα το σοβαρό τραυματισμό.

### 3. Συντήρηση του μοτέρ

Η περιέλιξη της μονάδα του μοτέρ είναι η “καρδιά” του ηλεκτρικού εργαλείου. Δώστε μεγάλη προσοχή για να σιγουρευτείτε ότι η περιέλιξη δεν θα πάθει ζημιά και / ή θα βρεχθεί με λάδι ή νερό.

### 4. Αντικατάσταση του καλωδίου παροχής ρεύματος

Αν το καλώδιο παροχής ρεύματος του Εργαλείου πάθει ζημιά, το Εργαλείο πρέπει να επιστραφεί στο Εξουσιοδοτημένο Κέντρο Εξυπηρέτησης Hitachi για να αντικατασταθεί.

### 5. Σέρβις

Συμβουλευτείτε έναν εξουσιοδοτημένο Αντιπρόσωπο Σέρβις στην περίπτωση βλάβης του ηλεκτρικού εργαλείου.

### 6. Λίστα συντήρησης των μερών

#### ΠΡΟΣΟΧΗ:

Η επισκευή, η τροποποίηση και ο έλεγχος των Ηλεκτρικών Εργαλείων Hitachi πρέπει να γίνεται από ένα Εξουσιοδοτημένο κέντρο σέρβις της Hitachi.

Αυτή η λίστα των Μερών θα είναι χρήσιμη αν παρουσιαστεί μαζί με το εργαλείο στο εξουσιοδοτημένο Κέντρο Σέρβις της Hitachi όταν ζητάτε επισκευή ή κάποια άλλη συντήρηση.

Κατά τον έλεγχο και τη συντήρηση των ηλεκτρικών εργαλείων, οι κανόνες ασφαλείας και οι κανονισμοί που υπάρχουν σε κάθε χώρα πρέπει να ακολουθούνται.

#### ΤΡΟΠΟΠΟΙΗΣΗ:

Τα Ηλεκτρικά Εργαλεία Hitachi βελτιώνονται συνεχώς και τροποποιούνται για να συμπεριλάβουν τις τελευταίες τεχνολογικές προόδους.

Κατά συνέπεια, ορισμένα τμήματα μπορούν να αλλάξουν χωρίς προηγούμενη ειδοποίηση.

---

#### ΣΗΜΕΙΩΣΗ

Εξαιτίας του συνεχιζόμενου προγράμματος έρευνας και ανάπτυξης της HITACHI τα τεχνικά χαρακτηριστικά που εδώ αναφέρονται μπορούν να αλλάξουν χωρίς προηγούμενη ειδοποίηση.

---



---

#### Πληροφορίες που αφορούν τον εκπεμπόμενο θόρυβο και τη δόνηση.

Οι τιμές μετρήθηκαν σύμφωνα με το EN60745 και βρέθηκαν σύμφωνες με το ISO 4871.

[FCJ65V3]

Μετρηθείσα τυπική στάθμη ηχητικής ισχύος A: 96 dB (A)

Μετρηθείσα τυπική στάθμη ηχητικής πίεσης A: 85 dB (A)

Αβεβαιότητα Κρα: 3 dB (A)

Φοράτε προστατευτικά αυτιών.

Μια τυπική τιμή ρίζας μέσης τετραγωνικής επιτάχυνσης: 7,6 m/s<sup>2</sup>

---

## OGÓLNE WSKAZÓWKI BEZPIECZEŃSTWA

### OSTRZEŻENIE!

#### Należy przeczytać wszystkie instrukcje

Nieprzestrzeganie któregośkolwiek z zamieszczonych poniżej zaleceń może być przyczyną porażenia prądem elektrycznym, pożaru i/lub poważnych obrażeń ciała. Występujące w poniższych ostrzeżeniach wyrażenie "urządzenie elektryczne" oznacza urządzenia zasilane z sieci elektrycznej (za pomocą przewodu) lub baterii (bezp przewodowo).

### INSTRUKCJE POWINNY BYĆ ZACHOWANE NA PRZYSZŁOŚĆ

#### 1) Miejsce pracy

##### a) Miejsce pracy powinno być uprzątnięte i czyste.

W miejscach nieuporządkowanych i źle oświetlonych ryzyko wypadku jest większe.

##### b) Nie należy używać urządzeń elektrycznych w przypadku zagrożenia wybuchem, na przykład w obecności łatwopalnych płynów, gazów lub pyłów. Urządzenia elektryczne wytwarzają iskry, które mogą spowodować zapłon pyłu.

##### c) Dzieci i osoby postronne nie powinny znajdować się w pobliżu pracującego urządzenia elektrycznego.

Odwrócenie uwagi użytkownika może spowodować utratę kontroli nad urządzeniem.

#### 2) Bezpieczeństwo elektryczne

##### a) Wtyczka urządzenia elektrycznego musi być odpowiednia do gniazdka.

Nigdy nie należy w jakikolwiek sposób przerabiać wtyczki.

Nie używać jakichkolwiek elementów łączących z urządzeniami wymagającymi uziemienia.

Używanie tylko oryginalnych wtyczek pasujących do gniazdka ogranicza ryzyko porażenia prądem elektrycznym.

##### b) Unikać kontaktu z przedmiotami uziemionymi, takimi jak rury, kaloryfery, kuchenki i urządzenia chłodnicze.

W przypadku dotykania uziemienia ryzyko porażenia prądem elektrycznym jest większe.

##### c) Nie narażać urządzeń elektrycznych na działanie deszczu lub wilgoci.

Przedostanie się wody do urządzenia zwiększa ryzyko porażenia prądem elektrycznym.

##### d) Odpowiednio używać przewodów zasilających. Nigdy nie wykorzystywać przewodu do przenoszenia lub ciągnięcia urządzenia lub też wyciągania wtyczki z gniazdka.

Utrzymywanie przewód z dala od źródeł ciepła, oleju, ostrych krawędzi lub części ruchomych. Uszkodzenie lub nacięcie przewodu zwiększa ryzyko porażenia prądem elektrycznym.

##### e) Podczas pracy z urządzeniem elektrycznym na wolnym powietrzu należy używać odpowiedniego przedłużacza.

Używanie przedłużacza przeznaczonego do pracy na wolnym powietrzu zmniejsza ryzyko porażenia prądem elektrycznym.

#### 3) Bezpieczeństwo osobiste

##### a) Podczas pracy z urządzeniem elektrycznym należy zachowywać koncentrację i planować wykonywane zadania, kierując się zdrowym rozsądkiem.

Urządzenia elektryczne nie powinny obsługiwać osoby zmęczone lub znajdujące się pod wpływem substancji odurzających, alkoholu lub leków.

Chwila nieuwagi podczas pracy z urządzeniem może stać się przyczyną poważnych obrażeń.

##### b) Używać wyposażenia ochronnego. Zawsze nosić okulary ochronne.

Używanie wyposażenia ochronnego, takiego jak maski przeciwpyłowe, buty przeciwpoślizgowe, odpowiednie nakrycie głowy i słuchawki ogranicza ryzyko obrażeń ciała.

##### c) Unikać nieprzewidzianego uruchomienia urządzenia. Przed włożeniem wtyczki do gniazdka upewnić się, że urządzenie jest wyłączone.

Przenoszenie urządzenia z palcem na wyłączniku lub podłączenie do sieci włączonego urządzenia może spowodować wypadek.

##### d) Przed włączeniem urządzenia usunąć wszelkiego rodzaju klucze regulacyjne.

Pozostawienie klucza w ruchomej części urządzenia może spowodować obrażenia.

##### e) Nie trzymać urządzenia zbyt daleko od siebie. Zachować stabilną pozycję przez cały czas.

Umożliwiła to pełne panowanie nad urządzeniem, nawet w nieoczekiwanych sytuacjach.

##### f) Nosić odpowiednią odzież. Nie należy nosić luźnych ubrań oraz biżuterii. Utrzymywać włosy, odzież i rękawice z dala od ruchomych części urządzenia.

Luźne ubrania, biżuteria lub długie włosy mogą zostać wciągnięte przez poruszające się części.

##### g) Jeżeli urządzenie wyposażone jest w system odprowadzania pyłu, powinien on być założony i właściwie używany.

Użycie tego rodzaju urządzeń ograniczy zagrożenia związane z gromadzeniem się pyłu.

#### 4) Obsługa i konserwacja urządzenia

##### a) Nie dociskać urządzenia zbyt mocno. Należy używać tylko właściwego urządzenia, odpowiedniego dla wykonywanej pracy.

Użycie odpowiedniego urządzenia spowoduje, że praca zostanie wykonana lepiej i bezpieczniej.

##### b) Nie używać urządzenia elektrycznego, którego wyłącznik jest niesprawny.

Urządzenie, które nie może zostać wyłączone za pomocą wyłącznika, jest niebezpieczne i musi zostać przeznaczone do naprawy.

##### c) Przed przystąpieniem do jakichkolwiek prac, jak na przykład wymiana akcesoriów, urządzenie musi zostać wyłączone z sieci. To samo dotyczy przechowywania urządzenia nieużywanego.

Umożliwi to zmniejszenie ryzyka nieprzewidzianego uruchomienia urządzenia.

d) Urządzenia elektryczne powinny być przechowywane poza zasięgiem dzieci oraz wszelkich osób nie znających zasad funkcjonowania i obsługi tego typu urządzeń.

*Obsługa urządzeń elektrycznych przez osoby nie znające zasad ich funkcjonowania jest niebezpieczna.*

e) Wykonywać odpowiednie prace konserwacyjne. Kontrolować prawidłowość ustawienia części ruchomych, ich uszkodzenia i wszelkie inne kwestie, mogące spowodować nieprawidłową pracę urządzenia.

Uszkodzone urządzenie powinno zostać natychmiast przekazane do naprawy.

*Wiele wypadków spowodowane jest niewłaściwą konserwacją urządzeń elektrycznych.*

f) Narzędzia tnące powinny być naostrzone i czyste.

*Odpowiednio naostrzone narzędzia nie będą się wyginać i są łatwiejsze w używaniu.*

g) Urządzenie elektryczne, akcesoria, wiertła itd. powinny być używane zgodnie z niniejszymi zaleceniami oraz w sposób odpowiadający wykonywanej pracy, przy uwzględnieniu warunków panujących w otoczeniu.

*Wykorzystanie urządzenia elektrycznego do pracy, do której nie jest ono przeznaczone, grozi wypadkiem.*

## 5) Serwis

a) Urządzenie powinno być serwisowane tylko przez osoby posiadające odpowiednie kwalifikacje, przy użyciu wyłącznie identycznych, oryginalnych części zamiennych.

*Zapewni to utrzymanie pełnego bezpieczeństwa pracy z urządzeniem.*

## ŚRODKI OSTROŻNOŚCI

**Dzieci i osoby niepełnosprawne nie powinny znajdować się w pobliżu urządzenia.**

**Nieużywane urządzenie powinno być przechowywane w miejscu poza zasięgiem dzieci i osób niepełnosprawnych.**

## DANE TECHNICZNE

Model	FCJ65V3	FCJ65S3
Napięcie (w zależności od miejsca)*	(110V, 115V, 120V, 127V, 220V, 230V, 240V)~	
Moc pobierana*	400W*	
Maks. głębokość cięcia	Drewno: 65mm Stal miękka: 6mm	
Prędkość obrotowa bez obciążenia	0 – 3000 min <sup>-1</sup>	3000 min <sup>-1</sup>
Udar	18mm	
Min. kąt cięcia	25mm	
Waga (bez kabla)	1,5kg	

\* Sprawdź nazwę produktu, jako że ulega ona zmianie w zależności od miejsca zakupu.

## WYPOSAŻENIE STANDARDOWE

- (1) Ostrze nr 31 ..... 1  
Do cięcia grubego drewna.
- (2) Osłona zabezpieczająca przed odpryskami ..... 1
- (3) Osłona zabezpieczająca przed odłamkami ..... 1
- (4) Klucz sześciokątny ..... 1
- Wyposażenie standardowe może ulec zmianie bez uprzedzenia.

## MOŻLIWE WYPOSAŻENIE DODATKOWE (Sprzedawane oddzielnie)

- (1) Ostrza, nr 1 – nr 6, 31\*  
\* Ostrze nr 31 jest akcesorium standardowym.
- (2) Prowadnica
- Wyposażenie standardowe może ulec zmianie bez uprzedzenia.

## ZASTOSOWANIE

- Cięcie i wyrzynanie różnego rodzaju surowców drzewnych

- Cięcie płyt ze stali miękkiej, płyt aluminiowych i płyt miedzianych
- Cięcie żywic syntetycznych, takich jak żywica fenolowa i chlorek winylu
- Cięcie cienkich i miękkich materiałów budowlanych

## PRZED UŻYCIEM

### 1. Źródło mocy

Upewnij się, że źródło mocy jest zgodne z wymogami mocy zaznaczonymi przy nazwie produktu.

### 2. Przełącznik

Upewnij się, że przełącznik jest wyłączony (pozycja OFF). Jeśli wtyczka jest włączona do prądu podczas gdy przełącznik jest włączony (pozycja ON), narzędzie zacznie działać natychmiast, co może spowodować poważny wypadek.

### 3. Przedłużacz

Kiedy miejsce pracy znajduje się daleko od źródła prądu, użyj przedłużacza o wystarczającym przekroju. Przedłużacz powinien być tak krótki jak tylko jest to możliwe.

## MONTOWANIE OSTRZA

1. Postępując się dołączonym do zestawu kluczem sześciokątnym, odkręcić śruby mocujące ostrza, które znajdują się na uchwycie ostrza, jak pokazano na **Rys. 1(a)**.
2. Ustawiając ostrze krawędzią tnącą do przodu, włożyć mocowaną część ostrza do rowka montażowego aż do samego końca.
3. Mocno dokręcić śrubę boczną, jak pokazano na **Rys. 1(b)**.

### UWAGA

- Niedostateczne dokręcenie śrub mocujących może spowodować uszkodzenie ostrza. Należy zawsze sprawdzić, czy śruby mocujące zostały odpowiednio dokręcone. Należy także zawsze upewnić się, że rowek montażowy jest czysty i wolny od trocin, tak aby ostrze mogło zostać zamontowane wystarczająco mocno.
4. Przechowywanie klucza sześciokątnego
    - (1) Włożyć klucz do otworu znajdującego się w bocznej części jednostki głównej, przytrzymując krótszą część poziomo, jak pokazano na **Rys. 2**.
    - (2) Obrócić włożony do otworu klucz sześciokątny i zamocować w sposób pokazany na **Rys. 2**.

## REGULACJA WAŁKA PROWADZĄCEGO

Wałek prowadzący, pokazany na **Rys. 3**, używany jest do zabezpieczenia ostrza przed zakleszczeniem. Przed przystąpieniem do korzystania z urządzenia należy wyregulować wałek prowadzący zgodnie z następującą procedurą:

- (1) Poluzować śrubę mocującą uchwytu za pomocą dołączonego do zestawu klucza sześciokątnego.
- (2) Delikatnie przesunąć wałek prowadzący, tak aby jego wyźłobienie lekko dotykało tylnej części ostrza.

### WSKAZÓWKA

Po dostarczeniu urządzenia z fabryki pomiędzy wałkiem a ostrzem istnieje odstęp około 3 mm.

- (3) Mocno dokręcić śrubę mocującą uchwyt.

### UWAGA

- Wałek prowadzący może być używany wyłącznie z ostrzami, które w tylnej części posiadają odcinek prosty o długości przekraczającej 50 mm. (**Rys. 4A i 4B**). Używając innego rodzaju ostrzy (**Rys. 4C**), należy przesunąć wałek prowadzący do tyłu, tak aby nie dotykał on ostrza.
- Do cięcia grubych desek lub piłowania ciągłego, należy użyć ostrza pokazanego na **Rys. 4A, 4B** i upewnić się, że został założony wałek prowadzący.

## USTAWIANIE OSŁONY ZABEZPIEZAJĄCEJ PRZED ODŁAMKAMI

### 1. Osłona zabezpieczająca przed odławkami

Osłona zabezpieczająca przed odławkami powinna być wykorzystywana w celu ochrony operatora oraz zapewnienia łatwiejszej pracy z urządzeniem. Przesunąć osłonę zabezpieczającą przed odławkami, lekko naciskając jej część przednią.

Osłona może zostać ustawiona w trzech położeniach, jak pokazano na **Rys. 5**.

### 2. Jak wybrać położenie osłony zabezpieczającej przed odławkami

Osłona zabezpieczająca przed odławkami powinna zostać ustawiona w położeniu pierwszym podczas zakładania lub wyjmowania ostrza.

Osłona zabezpieczająca przed odławkami powinna zostać ustawiona w położeniu drugim podczas piłowania drewna.

Osłona zabezpieczająca przed odławkami powinna zostać ustawiona w położeniu trzecim podczas cięcia materiałów metalowych, na przykład stali.

### UWAGA

- Podczas pracy z urządzeniem osłona zabezpieczająca przed odławkami powinna zawsze być opuszczona.
- Nawet przy założonej osłonie należy zawsze nosić okulary ochronne.

## REGULACJA PR DKOŚCI ROBOCZEJ OSTRZA ..... (TYLKO MODEL FCJ65V3)

### WSKAZÓWKA

W modelu FCJ65S3 prędkość robocza ostrza nie może być regulowana.

Prędkość robocza ostrza może wynosić od 0 do 3000 min<sup>-1</sup>, w zależności od stopnia wciśnięcia przycisku spustowego. Należy wybrać prędkość odpowiednią dla piłowanego materiału i/lub warunków pracy.

Aby włączyć tryb pracy ciągłej, należy wcisnąć do końca przycisk spustowy, a następnie blokadę. Prędkość roboczą ostrza można regulować teraz za pomocą pokrętki regulacyjnego.

### WSKAZÓWKA

Pokrętło regulacji prędkości wykonuje około 1,5 pełne obroty. Aby wyłączyć urządzenie, należy nacisnąć ponownie przycisk spustowy, aby uwolnić ogranicznik, po czym zwolnić przycisk spustowy.

## CIECIE

### UWAGA

- Podczas wykonywania cięcia podstawa musi ściśle przylegać do powierzchni obrabianego materiału, a ostrze powinno być utrzymywane pod kątem prostym. Jeżeli podstawa nie będzie przylegać do materiału, ostrze może zostać złamane.
- Jeżeli podczas wykonywania cięcia użytkownik przytrzymuje powierzchnię materiału, powinien zwrócić szczególną uwagę na pracujące ostrze i mocno przytrzymywać część górną urządzenia.

### 1. Cięcie w linii prostej

(1) Aby zapewnić precyzyjne cięcie w linii prostej, należy zastosować akcesorium pokazane na **Rys. 6**.

(2) Należy także użyć osłony zabezpieczającej przed odpryskami, aby zmniejszyć szorstkość materiałów drewnianych. Osłona zabezpieczająca przed odpryskami powinna zostać wpięta we właściwym miejscu przedniej części podstawy. (**Rys. 7**)

### UWAGA

Przed założeniem osłony należy ustawić podstawę w położeniu przednim.

### 2. Wycinanie koła lub łuku

Aby zapewnić precyzyjne cięcie, należy zastosować prowadnicę stanowiącą akcesorium opcjonalne lub śrubę pokazaną na **Rys. 8**.

Aby założyć prowadnicę, należy poluzować dolną śrubę mocującą podstawy i przesunąć podstawę możliwie najdalej.

**3. Cięcie linii krzywych**

W przypadku wycinania niewielkich kształtów łukowych, należy odpowiednio zmniejszyć prędkość pracy urządzenia. Jeżeli będzie ono prowadzone zbyt szybko, ostrze może się złamać.

**4. Cięcie materiałów z metalu**

Należy zawsze użyć odpowiedniego środka smarującego (oleju wrzecionowego, wody z mydłem itp.). Jeżeli środek smarujący nie jest dostępny, należy pokryć smarem tynną powierzchnię obrabianego materiału.

**5. Wyrzynanie****(1) W drewnie**

Należy prowadzić ostrze zgodnie ze stojami drewna i ciąć aż do chwili, kiedy w środku elementu pojawi się prześwit. **(Rys. 9)**

**(2) W innych materiałach**

W przypadku wycinania otworu w materiale innym niż drewno należy najpierw wywiercić otwór wiertarką lub urządzeniem podobnego rodzaju, a następnie zacząć wycinanie od wykonanego otworu.

**6. Cięcie ukośne**

Ostona zabezpieczająca przed odłamkami powinna zostać ustawiona w położeniu pierwszym. **(Rys. 5)**

Aby zmienić kąt nachylenia, należy poluzować dolną śrubę mocującą podstawy, przesunąć podstawę do bocznego wyżłobienia w części półkolistej, po czym wyrównać położenie skali w części półkolistej (rysunki wygrawerowane na skali wskazują kąt nachylenia) w stosunku do linii krawędzi obudowy, po czym mocno dokręcić dolną śrubę mocującą podstawy. **(Rys. 10 i 11)**

**UWAGA**

Podczas używania prowadnicy umieścić śrubę po przeciwnej stronie nachylonej części. **(Rys. 12)**

**7. Pył powstający podczas pracy****UWAGA**

- Aby zapobiec niebezpieczeństwu wypadku, kiedy urządzenie nie jest używane, należy je wyłączyć i wyjąć wtyczkę z gniazdko sieciowego.
- Zalecenia dotyczące korzystania z kolektora pyłu oraz odłamków zamieszczone zostały w instrukcji obsługi kolektora.

*Pył powstający podczas pracy z urządzeniem może być szkodliwy dla zdrowia użytkownika. Należy zastosować jeden z zalecanych poniżej środków ochronnych.*

**a) Nosić maskę przeciwpyłową****b) Używać zewnętrznego urządzenia służącego do odprowadzania pyłu**

Korzystając z zewnętrznego systemu usuwania pyłu, należy podłączyć gumową złączkę (akcesorium zewnętrznego systemu usuwania pyłu) z końcem węża tego systemu.

Następnie połączyć drugi koniec gumowej złączki z elementem przyłącza węża, który znajduje się w tylnej części wyrzynarki. **(Rys. 13)**

**WYBÓR OSTRZA****1. Akcesoria**

Aby zapewnić maksymalną wydajność pracy urządzenia, niezwykle ważny jest wybór ostrza najlepiej odpowiadającego rodzajowi i grubości ciętego materiału. W zestawie jako akcesorium standardowe znajduje się jeden rodzaj ostrzy. Numer ostrza jest wygrawerowany na każdym z nich w pobliżu końcówki służącej do zamontowania.

Należy wybrać odpowiednie ostrze zgodnie z informacjami podanymi w **Tabeli 1**.

**2. Odpowiednie ostrza dostępne na rynku (Rys. 14)**

W urządzeniu można wykorzystywać większość ostrzy dostępnych na rynku. Jak pokazano na **Rys. 14**, istnieją następujące ograniczenia dotyczące wymiarów ostrzy:

- Grubość : L2 ..... Poniżej 1,6mm
- Szerokość: L3 ..... 6,3mm  
L4 ..... 8mm  
L5 ..... 7mm

**WSKAZÓWKA**

Do cięcia materiałów o dużej grubości należy używać wyłącznie oryginalnych ostrzy HITACHI, posiadających nachylenie pokazane na **Rys. 4-A** lub **B**.

**Tabela 1** Lista odpowiednich ostrzy

Materiał do cięcia	Jakość materiału	Nr ostrza
Drewno	Drewno	Nr 1 lub nr 31 (płyta o dużej grubości) lub nr 41 (płyta o dużej grubości) lub nr 2 (płyta cienka)
	Sklejka	Nr 3 lub nr 6
Płyta żelazna	Płyta ze stali miękkiej	Nr 6
Metale nieżelazne	Aluminium, miedź, mosiądz	Nr 6
Żywice syntetyczne	Żywica fenolowa, melaminowa itp.	Nr 4 (płyta o dużej grubości) lub nr 6 (płyta cienka)
	Chlorek winylu, żywica akrylowa itp.	Nr 2 lub nr 4 (płyta o dużej grubości) lub nr 6 (płyta cienka)
	Styrol piankowy itp.	Nr 2
Masy włókniste	Karton, papier falisty	Nr 2
	Twarda płyta pilśniowa	Nr 5 lub nr 6
	Płyta pilśniowa	Nr 6
Inne	Twarda guma	Nr 2
	Płytko łupkowa	Nr 5

---

## KONSERWACJA I INSPEKCJA

---

### 1. Kontrola stanu ostrza

Używanie ostrza stępionego lub uszkodzonego powoduje zmniejszenie wydajności pracy urządzenia i może doprowadzić do przeciążenia silnika. Ostrze powinno zostać wymienione na nowe, kiedy tylko zostanie stwierdzone, że jest stępione.

### 2. Sprawdzanie śrub mocujących

Regularnie sprawdzaj wszystkie mocujące śruby i upewnij się, że są mocno przykręcone. Jeśli któraś z nich się obluzuje, natychmiast ją przykręć. Zaniedbanie tego może spowodować poważne zagrożenie.

### 3. Konserwacja silnika

Wirnik silnika jest sercem narzędzia. Zadbaj, by wirnik nie został uszkodzony i nie zawilgotniał lub pokrył się olejem.

### 4. Wymiana przewodu zasilającego

Jeżeli przewód zasilający urządzenia został uszkodzony, musi ono zostać przekazane do Autoryzowanego Punktu Serwisowego Hitachi w celu wymiany przewodu.

### 5. Serwisowanie

W przypadku uszkodzenia elektrycznego należy skontaktować się z Autoryzowanym Punktem Serwisowym.

### 6. Lista części zamiennych

#### UWAGA

Naprawa, modyfikacje i przeglądy narzędzi elektrycznych Hitachi musi być wykonywane przez Autoryzowane Centrum Obsługi Hitachi.

Ta lista części będzie przydatna jeśli zostanie wręczona wraz z narzędziem, gdy zgłosimy się do naprawy lub przeglądu w Autoryzowanym Centrum Obsługi Hitachi. Podczas użytkowania i konserwacji narzędzi elektrycznych muszą być przestrzegane przepisy i standardy bezpieczeństwa.

#### MODYFIKACJE

Narzędzia elektryczne Hitachi są ciągle ulepszone i modyfikowane w celu wprowadzania najnowszych osiągnięć nauki i techniki.

W związku z tym pewne części mogą ulec zmianom bez uprzedzenia.

---

#### WSKAZÓWKA

W związku z prowadzonym przez Hitachi programem badań i rozwoju, specyfikacje te mogą się zmienić w każdej chwili bez uprzedzenia.

---

---

#### Informacja dotycząca poziomu hałasu i wibracji

Mierzone wartości byto określone według EN60745 i zadeklarowane zgodnie z ISO 4871.

[FCJ65V3]

Zmierzony poziom dźwięku A: 96 dB (A)

Zmierzone ciśnienie akustyczne A: 85 dB (A)

Niepewność KpA: 3 dB (A)

Używaj ochroniacza uszu.

Typowa wartość skuteczna przyspieszenia wynosi:

7,6 m/s<sup>2</sup>

---

---



## ÁLTALÁNOS BIZTONSÁGTECHNIKAI ELŐÍRÁSOK

### FIGYELEM!

#### Olvassa végig az utasításokat

Az alábbi utasítások be nem tartása áramütést, tüzet és súlyos sérülést okozhat.

Az alábbi figyelmeztetésekben szereplő "elektromos szerszám gép" kifejezés az ön - hálózatról üzemeltetett (vezetékes) vagy akkumulátoros (vezeték nélküli) - elektromos szerszám gépére vonatkozik.

### ŐRIZZE MEG AZ UTASÍTÁSOKAT

#### 1) A munkahely

a) A munkahelyet tartsa tisztán, és megfelelően világítsa meg.

A túlzásfólt és sötét munkahelyek vonzzák a baleseteket.

b) Az elektromos szerszám gépeket ne használja robbanásveszélyes légtérben, például gyúlékony folyadékok, gázok vagy por mellett.

Az elektromos szerszám gépek szikrákat bocsáthatnak ki, melyek berobbanthatják a jelenlévő port.

c) A szerszám gép működtetése közben tartsa távol a gyermekeket és a körülállókat.

A figyelemelvonás a szerszám gép feletti kontroll elvesztését okozhatja.

#### 2) Érintésvédelem

a) Az elektromos szerszám gép dugaszának illeszkednie kell a hálózati csatlakozóaljzatba.

Semmilyen körülmények között ne módosítsa a dugaszt.

Ne használjon semmilyen átalakító dugaszt a földelt elektromos szerszám géppel.

A módosítás nélküli dugaszok és a megfelelő aljzatok csökkentik az elektromos áramütés veszélyét.

b) Ügyeljen arra, hogy munka közben ne érintsen meg földelt felületeket, pl. csövezetéseket, fűtőtesteket, tűzhelyeket vagy hűtőberendezéseket.

Ha a kezelő teste földelve van, az áramütés veszélye megnő.

c) Az elektromos szerszám gépeket ne tegye ki eső vagy nedvesség hatásának.

Az elektromos szerszám gépbe kerülő víz növeli az áramütés veszélyét.

d) Ne rongálja meg az elektromos csatlakozókábelt. A szerszám gépet ne hordozza a kábelnél fogva, és a villásdugót soha ne a kábelnél fogva húzza ki a dugaszolóaljzataból.

Védje a kábelt a magas hőmérsékletől, olajtól és az éles sarkoktól.

A sérült vagy összegabalyodott vezetékek növelik az elektromos áramütés veszélyét.

e) Ha a szabadban kell munkát végeznie, mindig csak az erre a célra alkalmas hosszabbító kábelt használjon.

A kültéri használatra alkalmas hosszabbító használata csökkenti az elektromos áramütés veszélyét.

#### 3) A testi épség védelme

a) Mindig figyeljen oda a végzett munkára. Az elektromos szerszám géppel végzett munka teljes figyelmet igényel.

Ne használja a készüléket, ha nem érzi kipihentnek magát, ha kábítószert, alkoholt vagy gyógyszer hatása alatt áll.

Egy pillanatnyi figyelmetlenség is súlyos sérülést okozhat.

b) Használjon védőfelszerelést. Mindig használjon védőszemüveget.

A védőfelszerelések, pl. a pormaszk, a csúszásbiztos biztonsági cipő, a védősisak és a füldugó használata csökkenti a sérülésveszélyt.

c) Kerülje a gép véletlenszerű beindítását. Mielőtt a csatlakozó dugót a dugaszolóaljzatba bedugja, mindig győződjék meg róla, hogy a készülék ki van kapcsolva.

Ne tartsa ujját az indító kapcsolón, ha hordozza a készüléket, és ne csatlakoztasson bekapcsolt készüléket az áramforrásra.

d) Mielőtt a gépet bekapcsolja, mindig ellenőrizze, hogy kivette-e a készülékből a szerszámbeállító- illetve befogókulcsot.

A forgó alkatrészen maradt szerszámbeállító- vagy befogókulcs személyi sérülést okozhat.

e) Ne nyújtsa ki a kezét túl nagy távolságra. Munka közben mindig álljon stabilan, és őrizze meg az egyensúlyát.

Igy a váratlan helyzetekben sem veszti el a szerszám feletti uralmát.

f) Viseljen megfelelő munkaruhát. Munka közben ne viseljen bő öltözéket vagy ékszert. Haját, ruházatát és kesztyűjét tartsa távol a mozgó alkatrészekről.

A bő öltözéket, ékszereket vagy a hosszú haját a mozgó alkatrészek elkaphatja.

g) Ha a készülék rendelkezik porelszívási, illetve -gyűjtési lehetőséggel, ügyeljen rá, hogy azok megfelelően legyenek csatlakoztatva és használva.

A fenti eszközök használata csökkenti a por okozta veszélyt.

#### 4) Az elektromos szerszám gép használata és karbantartása

a) Ne erőltesse a szerszámot. Mindig az alkalmazásnak megfelelő szerszámot használjon.

A megfelelő szerszám gép nominális teljesítményszinten jobban és biztonságosabban működik.

b) Ne használja a szerszámot, ha a kapcsoló azt nem kapcsolja megfelelően be, illetve ki.

A kapcsolóval nem szabályozható szerszám gép veszélyes, és azt meg kell javítani.

c) Mindig húzza ki a dugaszoló aljzataból a csatlakozó dugót, mielőtt a készüléken beállításokat végezne, kicserélné a tartozékokat, vagy mielőtt eltávolítaná a készüléket.

A fenti biztonsági óvintézkedések csökkentik a készülék véletlenszerű bekapcsolásának veszélyét.

- d) A használaton kívüli szerszámokat tárolja gyermekek által nem hozzáférhető helyen, és ne engedje, hogy a készüléket az üzemeltetéshez nem értő személyek használják.

*A gyakorlatlan használó kezében a szerszámgépek különösen nagy veszélyt jelentenek.*

- e) A szerszámgépek karbantartása. Ellenőrizze a mozgó alkatrészek illesztését, rögzítését, az alkatrészek esetleges repedését és minden olyan tulajdonságot, mely hatással lehet a munkavégzésre.

**Meghibásodás esetén használat előtt javítsa meg a készüléket.**

*A nem megfelelő karbantartás sok balesetet okoz.*

- f) A vágószerszámokat mindig tartsa élesen és tisztán.

*A megfelelően karbantartott - éles vágóélű-vágószerszámok kisebb eséllyel görbülnek el, és könnyebben irányíthatók.*

- g) Használja a szerszámgépet és a fűrófejeket stb. az utasításoknak és az adott szerszámgép rendeltetésének megfelelően, mindig figyelembe véve a munkakörülményeket és az elvégzendő munka jellegét.

*A szerszámgép rendeltetésétől eltérő használata veszélyt okozhat.*

## 5) Javítás

- a) A szerszámot csak - eredeti cserealkatrészeket használó - szakképzett személlyel javíttassa.

*Igy biztosítható a szerszámgép biztonságos üzemeltetése.*

## ÓVINTÉZKEDÉS

**A gyermekeket és a felügyeletre szoruló személyeket tartsa távol az elektromos szerszámgéptől.**

**A használaton kívüli szerszámgépeket gyermekektől és felügyeletre szoruló személyektől elzárva kell tartani.**

## MŰSZAKI ADATOK

Modell	FCJ65V3	FCJ65S3
Feszültség (terület szerint)*	(110V, 115V, 120V, 127V, 220V, 230V, 240V)~	
Névleges teljesítményfelvétel*	400W*	
Maximális vágási mélység	Fa: 65mm Lágyacél: 6mm	
Üresjárat fordulatszám	0 – 3000 perc <sup>-1</sup>	3000 perc <sup>-1</sup>
Vágási hossz	18mm	
Minimális vágási sugár	25mm	
Súly (tápkábel nélkül)	1,5kg	

\* Sprawdz nazwę produktu, jako że ulega ona zmianie w zależności od miejsca zakupu.

## STANDARD TARTOZÉKOK

- (1) Fűrészlap 31 sz. .... 1  
Vastag faanyag vágásához
- (2) Forgácsvédő pajzs ..... 1
- (3) Forgácsvédő fedél ..... 1
- (4) Hatszögletű dugókulcs ..... 1
- A standard tartozékok előzetes tájékoztatás nélkül változhatnak.

## TETSZÉS SZERINT VÁLASZTHATÓ TARTOZÉKOK (Külön megrendelésre)

- (1) Fűrészlapok, 1 – 6, 31\* sz.  
\* A 31. sz. fűrészlap standard tartozék.
- (2) Vezetőelem
- A tetszés szerint választható tartozékok előzetes bejelentés nélkül bármikor változhatnak.

## ALKALMAZÁSOK

- Különbféle fűrészárú vágása és belső nyílás kivágása
- Lágyacél, alumínium és rézlemezek vágása
- Műgyanták, például fenolgyanta és vinilklorid vágása
- Vékony és lágy építőanyagok vágása

## AZ ÜZEMBEHELYEZÉS ELŐTTI TENNIVALÓK

1. **Áramforrás**  
Ügyeljen rá, hogy a készülék adattábláján feltüntetett feszültség értéke megegyezzen az alkalmazni kívánt hálózati feszültséggel.
2. **Hálózati kapcsoló**  
Ügyeljen rá, hogy a hálózati kapcsoló KI állásba legyen kapcsolva. Ha a csatlakozódugót úgy csatlakoztatja a dugaszolóaljzatba, hogy közben a hálózati kapcsoló BE állásban van, a kéziszerszám azonnal működésbe lép, ami súlyos balesetet idézhet elő.
3. **Hosszabbító vezeték**  
Ha a munkaterület az áramforrástól távol található, akkor egy megfelelő keresztmetszetű és teljesítményű hosszabbító vezeték kell alkalmazni.

## A FŰRÉSZLAP FELSZERELÉSE

1. Használja a tartozék hatszögletű imbuszkulcsot a fűrészlap hernyócsavarjainak megállítására a fűrészlap befogószerkezeten az **1(a). ábrán** bemutatottak szerint.
2. A fűrészlapot a vágóélével előrefelé tartva, helyezze be a fűrészlap felszerelő részét a beszűrő horonyba, amíg az nem érinti a horony alját.
3. Az **1(b). ábrán** bemutatottak szerint szorosan rögzítse az oldalsó csavart.

**VIGYÁZAT**

- A meglazult hernyócsavarok a fűrészlap károsodását okozhatják. Mindig győződjön meg róla, hogy a hernyócsavarok biztonságosan meghúzásra kerültek. Mindig győződjön meg róla, hogy a beszúró horony tiszta és fűrészportól mentes, hogy biztosítani lehessen a fűrészlap megfelelő beszerelését és a hernyócsavar megszorítását.
- 4. A hatszögletű imbuszkulcs tárolása
- (1) Tegye bele a főegység oldalán levő üregbe a rövidebbik oldalát vízszintesen tartva a **2 ábrán** bemutatottak szerint.
- (2) Fordítsa el a behelyezett imbuszkulccsal és rögzítse a **2 ábrán** bemutatottak szerint.

**A VEZETIHINGER BEÁLLÍTÁSA**

A **3. ábrán** bemutatott vezetőgörgőt arra alkalmazzák, hogy megvédje a fűrészlapot az eltöréstől. Használat előtt állítsa be a vezetőgörgőt a következő eljárások szerint:

- (1) Lazítsa meg a tartó hernyócsavarját a tartozék imbuszkulccsal.
- (2) Finoman csúsztassa a vezetőgörgőt, amíg a görgő hornyja enyhén érinti a fűrészlap hátulját.

**MEGJEGYZÉS**

A gyárból történő kiszállításkor körülbelül 3mm hézag van a görgő és a fűrészlap között.

- (3) Szorosan húzza meg a tartó hernyócsavarját.

**VIGYÁZAT**

- A vezetőgörgőt csak olyan fűrészlapokhoz használható, amelyeknek hátul 50 mm-nél hosszabb egyenes vonaluk van. (**4A** és **4B ábra**) Amikor más típusú fűrészlapokat használál (**4C ábra**), csúsztassa a vezetőgörgőt hátrafelé úgy, hogy az ne érintse a fűrészlapot.
- Vastag táblák vágásakor vagy folyamatos vágási műveletek végzése esetén használja a **4A, 4B ábrákon** bemutatott fűrészlapot és győződjön meg róla, hogy beállította a vezetőgörgőt.

**FORGÁCSFEDÉL POZÍCIONÁLÁSA****1. Forgácsfedél**

Használja a forgácsfedelet a vágott részecskék repülésének csökkentésére és a fűrész könnyű működtetésére.

Csúsztassa el a forgácsfedelet, miközben enyhén nyomja annak elülső szakaszát.

A forgácsfedél három helyzetbe állítható be a **5. ábrán** bemutatottak szerint.

**2. A forgácsfedél helyzetének megválasztása**

Állítsa a forgácsfedelet az első lépéshez, amikor csatlakoztatja vagy eltávolítja a fűrészlapot.

Állítsa a forgácsfedelet a második lépéshez, amikor faanyagokat vág.

Állítsa a forgácsfedelet a második vagy harmadik lépéshez, amikor fémanyagokat, mint például acélt vág.

**VIGYÁZAT**

- A szerszám üzemeltetésekor mindig alsó helyzetben tartsa a forgácsfedelet.
- Viseljen védőszemüveget, még akkor is, ha forgácsfedelet használ.

**A FÜRÉSZLAP MŰKÖDÉSI SEBESSÉGÉNEK BEÁLLÍTÁSA ..... (CSAK FCJ65V3)****MEGJEGYZÉS**

A fűrészlap működési sebessége az FCJ65S3 esetén nem állítható.

A fűrészlap működési sebessége 0 - 3.000 perc<sup>-1</sup> tartományon belül állítható, aszerint, hogy milyen mértékben nyomja be az indítókapcsolót. Válassza ki a megmunkálandó anyaghoz és/vagy a munkakörülményekhez megfelelő sebességet.

A folyamatos működés eléréséhez teljesen húzza hátra az indítókapcsolót és nyomja be a megállítót. Ezután fordítsa el a sebességállító gombot a fűrészlap kívánt működési sebességének beállításához.

**MEGJEGYZÉS**

A sebességállító gomb körülbelül 1,5 fordulatot fordul. A kapcsoló KI állásba fordításához húzza meg ismét az indítókapcsolót a megállító kioldásához, és engedje el az indítókapcsolót.

**VÁGÁS****VIGYÁZAT**

- Fűrészlelkor az alaplemeznek szorosan kell érintkeznie az anyag felületével, és a fűrészlapot derékszögben kell tartani. Ha az alaplemez elkülönül az anyagtól, az a fűrészlap törését okozhatja.
- Amikor vág, miközben az elülső felületet tartja, legyen óvatos a fűrészlap mozgásával, és tartsa szorosan a felső részt.

**1. Egyenes vonalú vágás**

(1) A pontos egyenes vonalú vágás biztosításához alkalmazza az opcionális tartozék vezetőléceet a **6. ábrán** bemutatottak szerint.

(2) Használja a forgácsvédőt a faanyagok vágási felülete durvaságának csökkentésére. Csatlakoztassa a forgácsvédőt az alaplemez elülső szakaszától való behelyezéssel, amíg a helyére nem kattann. (**7. ábra**)

**VIGYÁZAT**

A forgácsvédő használatakor állítsa az alaplemezt az elülső helyzetbe.

**2. Kőr vagy kőrv vágása**

A hatékony vágás biztosításához alkalmazza az opcionális tartozék vezetőléceet és szeget vagy facsavart a **8. ábrán** bemutatottak szerint.

A vezetőléc felszerelésekor lazítsa meg az alaplemez alsó csavarját és tolja az alaplemezt annyira előre, amennyire az megy.

**3. Fűrészelés görbe vonal mentén**

Kis kőrv kivágásakor csökkentse a gép megfelelő előtolási sebességét. Ha a gép előtolása túl gyors, a fűrészlap eltörhet.

**4. Fém anyagok vágása**

Mindig használjon megfelelő vágási adalékot (orsóolajat, szappanos vizet, stb.). Amikor folyékony vágási adalék nem áll rendelkezésre, használjon zsírt a vágandó anyag hátsó felületén.

**5. Belső nyílás kivágása**

- (1) Fűrészáruban  
A fűrészlap haladási irányát a fa erezetéhez igazítva végezze a vágást lépésről lépésre haladva, amíg be nem fejezte a belső nyílás kivágását a faanyag közepén. (**9. ábra**)

- (2) Más anyagban  
Amikor belső nyílás kivágását végzi fűrészárutól eltérő más anyagban, először fúrjon egy lyukat fúróval vagy hasonló szerszámmal, ahonnan a vágást elkezdheti.

**6. Szögben történő vágás**

Állítsa a forgácsfedelezt az első lépéshez. (5. ábra)  
A dőlésszög beállításához lazítsa meg az alaplemez alsó csavarját, tolja el az alaplemez helyzetét a félkör alakú rész oldalsó hornyáig, állítsa egy vonalba az alaplemez félkör alakú részén levő skálát (a skálára gravírozott számok jelzik a dőlésszöveget) a burkolat peremvonalával, és alaposan húzza meg az alaplemez alsó csavarját. (10. és 11. ábra)

**VIGYÁZAT**

A vezetőlécz használatakor állítsa a csavart a dőlő oldal ellentétes oldalára. (12. ábra)

**7. Működés során keletkezett por**

**VIGYÁZAT**

- A balesetek megelőzéséhez kapcsolja ki a kapcsolót, és húzza ki a dugaszt az áramellátásból, amikor nincs használatban.
- A porgyűjtő használatára és a vágási hulladéokra vonatkozó utasításokért kérjük, olvassa el a porgyűjtő kezelési kézikönyvét.

*A normál működés során keletkezett por károsan befolyásolhatja a kezelő egészségét. A következők valamelyike javasolt.*

**a) Porálarc viselése**

**b) Külső porgyűjtő berendezés használata**

A külső porgyűjtő felszerelés használata közben csatlakoztassa a gumi adaptert (a külső porgyűjtő felszerelés része) a cső külső porgyűjtő alkatrész felőli végénél.

Ezután csatlakoztassa a gumi adapter másik végét a szűrőfűrész hátsó részén lévő cső tartozék alkatrészhez. (Lásd a 13. ábra)

**A FÜRÉSZLAPOK KIVÁLASZTÁSA**

**1. Alaptartozékként szállított fűrészlapok**

A maximális működési teljesítmény és a lehető legjobb eredmények biztosítása érdekében nagyon fontos a vágandó anyag típusához és vastagságához legjobban igazodó fűrészlap kiválasztása. Egy fűrészlap típus van biztosítva standard tartozékként. A fűrészlap száma be van gravírozva az egyes fűrészlapok befogása mellett. Az **1. táblázat** alapján válassza ki a megfelelő fűrészlapokat.

**2. Elfogadható kereskedelmi fűrészlapok (15. ábra)**

Ez a gép olyan konstrukciójú, hogy elfogadja a szabad piacon kapható legtöbb fűrészlapot. A **13. ábrán** illusztráltak szerint a fűrészlap méretkorlátozásai a következők:

- Vastagság: L2 ..... Kevesebb, mint 1,6mm
- Szélesség: L3 ..... 6,3mm
- L4 ..... 8mm
- L5 ..... 7mm

**MEGJEGYZÉS**

Vastag anyagok vágásakor használjon eredeti HITACHI fűrészlapokat, amelyek dőlése a **4-A** vagy **B ábrán** bemutatottak szerinti.

**1. táblázat** Megfelelő fűrészlapok listája

Vágandó anyag	Anyagminőség	Fűrészlap sz.
Faanyag	Általános faanyag	1 sz. vagy 31. sz. (vastag lemez) vagy 41. sz. (vastag lemez) vagy 2. sz. (vékony lemez)
	Rétegelt lemez	3. sz. vagy 6. sz.
Vaslemez	Lágyacél lemez	6. sz.
Nemvas fém	Alumínium, réz, sárgaréz	6. sz.
Műgyanta	Fenolgyanta, melamingyanta, stb.	4. sz. (vastag lemez) vagy 6. sz. (vékony lemez)
	Vinilgyanta, akrilgyanta, stb.	2. sz. vagy 4. sz. (vastag lemez) vagy 6. sz. (vékony lemez)
	Habosított sztirol, stb.	2. sz.
Cellulóz	Karton, hullámpapír	2. sz.
	Kemény farostlemez	5. sz. vagy 6. sz.
	Farostlemez	6. sz.
Egyebek	Keménygumi	2. sz.
	Pala	5. sz.

---

## ELLENŐRZÉS ÉS KARBANTARTÁS

---

### 1. A fűrészlap ellenőrzése

Étlen vagy sérült fűrészlap további használata csökkenti a vágás hatékonyságát és a motor túlterhelését okozhatja. Cserélje ki a fűrészlapot egy újra, amint észreveszi, hogy az túlzottan elkopott.

### 2. A rögzítő csavarok ellenőrzése

Rendszeresen ellenőrizzen minden rögzítő csavart, és ügyeljen rá, hogy azok megfelelően meg legyenek szorítva. Minden meglazult csavart azonnal szorítson meg. Ennek elhanyagolása súlyos veszélyeket hordoz magában.

### 3. A motor karbantartása

A motor tekerccselése az elektromos szerszám „szíve”. Gondosan ügyeljen rá, hogy a tekerccselés ne sérüljön, illetve ne kerüljön kapcsolatba olajjal vagy vízzel.

### 4. A hálózati kábel cseréje

Ha a szerszámgép hálózati kábele megrongálódik, akkor azt csere céljából vissza kell juttatni a Hitachi Szerződéses Szervíz Központba.

### 5. Szerviz

A szerszámgép meghibásodása esetén forduljon hivatalos márkaszervizhez.

### 6. Szervizelési alkatrészlista

#### FIGYELEM

A Hitachi kéziszerszámok javítását, módosítását, illetve ellenőrzését kizárólag Hitachi szakszervizben szabad elvégeztetni.

Ez az alkatrészlista a szerszám javításra vagy egyéb karbantartásra egy Hitachi szakszervizbe történő bevitelkor jelent segítséget.

A kéziszerszámok üzemeltetése és karbantartása során be kell tartani az adott országban érvényes biztonsági előírásokat és szabványokat.

#### MÓDOSÍTÁSOK

A Hitachi kéziszerszámok állandó tökéletesítéseken mennek át, hogy alkalmazni tudják a legújabb műszaki fejlesztések eredményeit.

Éppen ezért egyes alkatrészek előzetes bejelentés nélkül megváltozhatnak.

---

#### MEGJEGYZÉS

A HITACHI folyamatos kutatási és fejlesztési programja következtében az itt szereplő műszaki adatok előzetes bejelentés nélkül változhatnak.

---

#### A környezeti zajra és vibrációra vonatkozó információk

A mért értékek az EN60745 szabványnak megfelelően kerültek meghatározásra és az ISO 4871 alapján kerülnek közzétételre.

[FCJ65V3]

Mért A hangteljesítmény-szint: 96 dB (A)

Mért A hangnyomás-szint: 85 dB (A)

Bizonytalanság KpA: 3 dB (A)

Viseljen hallásvédelmi eszközt.

A jellemző súlyozott gyorsulás négyzetes középértéke:  
7,6 m/s<sup>2</sup>

---

## VŠEOBECNÉ BEZPEČNOSTNÍ PŘEDPISY

### UPOZORNĚNÍ!

#### Prostudujte si všechny pokyny

Nedodržování všech níže uvedených pokynů může způsobit úraz elektrickým proudem, vznik požáru a/nebo vážné zranění.

Pojem "elektrické nářadí" ve všech níže uvedených upozorněních se vztahuje na elektricky poháněné nářadí připojené (pomocí přívodní šňůry) k elektrické síti nebo na elektrické (bezšňůrové) nářadí poháněné akumulátorem.

### DODRŽUJTE TYTO POKYNY

#### 1) Pracovní prostor

- a) Udržujte pracovní prostor v čistotě a zajistěte jeho dobré osvětlení.

*Neuspořádaný pracovní prostor a neosvětlené plochy mohou být příčinou nehod.*

- b) Neprovodujte elektrické nářadí ve výbušných prostředích, jako je například prostor s výskytem hořlavých kapalin, plynů nebo prachu.

*Při provozu elektrického nářadí vznikají jiskry, které mohou vznítit prach nebo výpary.*

- c) Zajistěte, aby se při provozu elektrického nářadí nezdřívaly v blízkosti dětí nebo okolostojící osoby.

*Odvedení pozornosti může způsobit ztrátu kontroly nad nářadím.*

#### 2) Elektrická bezpečnost

- a) Zástrčky elektrického nářadí musí odpovídat používané zásuvce.

**Nikdy jakýmkoli způsobem neupravujte zástrčku. Nepoužívejte jakékoli rozvodné zástrčky s uzemněným (ukostřeným) elektrickým nářadím.**

*Původní neupravené zástrčky a vhodné zásuvky snižují nebezpečí úrazu elektrickým proudem.*

- b) Vyvarujte se kontaktu s uzemněnými nebo ukostřenými plochami, jako jsou např. trubky, radiátory, sporáky a chladničky.

*Vzniká zvýšené nebezpečí úrazu elektrickým proudem, pokud je Vaše tělo uzemněné nebo ukostřené.*

- c) Nevystavujte elektrické nářadí dešti nebo mokřým podmínkám.

*Voda, která vnikne do elektrického nářadí, zvyšuje nebezpečí úrazu elektrickým proudem.*

- d) Nezacházejte s přívodní šňůrou nevhodným způsobem. Nikdy nepoužívejte přívodní šňůru pro nošení, tahání nebo vypořádání elektrického nářadí.

**Zajistěte, aby se přívodní šňůra nedostala do kontaktu se zdroji tepla, olejem, ostrými hranami nebo pohyblivými se částmi.**

*Poškozené nebo zauzlené přívodní šňůry zvyšují nebezpečí úrazu elektrickým proudem.*

- e) Při práci s elektrickým nářadím ve vnějších prostorech používejte prodlužovací šňůru vhodnou pro venkovní použití.

*Použití přívodní šňůry vhodné pro venkovní prostředí snižuje nebezpečí úrazu elektrickým proudem.*

#### 3) Bezpečnost osob

- a) **Buďte při práci vždy pozorní, sledujte prováděnou práci a během práce s elektrickým nářadím postupujte rozumně.**

**Nepoužívejte elektrické nářadí v případě únavy nebo pod vlivem drog, alkoholu nebo léků.**

*Pouhý okamžik nepozornosti při práci s elektrickým nářadím může způsobit vážné zranění.*

- b) **Používejte ochranné pomůcky. Vždy používejte ochranu zraku.**

*Ochranné pomůcky, jako jsou protiprachová maska, obuv s nekouzavou úpravou podrážky, ochranná přilba nebo chrániče sluchu použité pro vhodné podmínky sniží nebezpečí zranění.*

- c) **Zajistěte, aby nedošlo k náhodnému spuštění nářadí. Zabezpečte, aby vypínač byl před zapojením do sítě v poloze vypnuto.**

*Nošení elektrického nářadí s prstem na vypínači a připojování elektrického nářadí s vypínačem v poloze zapnuto může způsobit nehody.*

- d) **Před zapnutím elektrického nářadí vymontujte všechny seřizovací klíče.**

*Klíč upevněný na otáčející se části elektrického nářadí může způsobit zranění osob.*

- e) **Zajistěte náležitou stabilitu při práci. Během práce je třeba vždy zaujmout náležitý a stabilní postoj.**

*Tím se dosáhne lepšího ovládní elektrického nářadí v neočekávaných situacích.*

- f) **Při práci používejte vhodný oděv. Nepoužívejte volný oděv nebo šperky. Zajistěte, aby se Vaše vlasy, oděv nebo rukavice nedostaly do kontaktu s pohyblivými se částmi nářadí.**

*Volný oděv, šperky nebo dlouhé vlasy se mohou zachytit do pohyblivých se částí.*

- g) **Pokud se používají zařízení pro připojení odsávání prachu a sběrných zařízení, zajistěte jejich správné zapojení a použití.**

*Používejte tato zařízení pro snížení nebezpečí, která vznikají v prašném prostředí.*

#### 4) Použití a ošetřování elektrického nářadí

- a) **Netlačte na elektrické nářadí. Pro Váš způsob použití zvolte správné elektrické nářadí.**

*Správné elektrické nářadí provede práci lépe a bezpečněji rychleji, pro které bylo konstruováno.*

- b) **Nepoužívejte elektrické nářadí, pokud vypínač není funkční.**

*Jakékoli elektrické nářadí, které nelze ovládat vypínačem, je nebezpečné a je třeba je opravit.*

- c) **Při provádění jakýchkoli nastavení, změně příslušenství nebo uskladňování elektrického nářadí odpojte vždy zástrčku ze zdroje energie.**

*Tato preventivní bezpečnostní opatření snižují nebezpečí náhodného uvedení elektrického nářadí do chodu.*

- d) **Uložte nepoužívané elektrické nářadí mimo dosah dětí a nedovolte, aby osoby, které nejsou seznámeny s provozem elektrického nářadí a s těmito pokyny, toto elektrické nářadí používaly.**

*Elektrické nářadí je v rukou nevyškoleného uživatele nebezpečné.*

- e) Provádějte údržbu elektrického nářadí. Zkontrolujte elektrické nářadí, zda je správně seřízené nebo nedochází k vážnutí chodu pohyblivých se částí, zda nejsou nějaké části poškozené a zda nevznikly jakékoli jiné poruchy, které mohou negativně ovlivnit provoz elektrického nářadí.

V případě poškození si nechejte elektrické nářadí před použitím opravit.

Velký počet nehod je způsobeno nedostatečnou údržbou elektrického nářadí.

- f) Udržujte řezné nástroje ostré a čisté. Správným způsobem udržované řezné nástroje s ostrými břity mají menší sklon k uváznutí a snadněji se při práci ovládají.

- g) Používejte elektrické nářadí, příslušenství, nástavce nástroje atd. ve shodě s těmito předpisy a způsobem stanoveným pro jednotlivý typ elektrického nářadí a přitom zohledněte pracovní podmínky a druh prováděné práce.

Použití elektrického nářadí pro práce odlišné od stanoveného účelu použití může způsobit nebezpečné situace.

#### 5) Servis

- a) Nechejte si provádět servis Vašeho elektrického nářadí kvalifikovanými opraváři a přitom používejte jen originální náhradní díly.

Tím se zajistí zachování bezpečnosti elektrického nářadí.

#### PREVENTIVNÍ OPATŘENÍ

Zajistěte, aby děti a nemocné osoby se nezdržovaly v blízkosti.

Pokud se nářadí nepoužívá, je třeba je uskladnit mimo dosah dětí a nemocných osob.

#### PARAMETRY

Model	FCJ65V3	FCJ65S3
Napětí (podle oblasti)*	(110V, 115V, 120V, 127V, 220V, 230V, 240V)~	
Vstupní příkon*	400W*	
Maximální hloubka řezu	Dřevo: 65mm Měkká ocel: 6mm	
Rychlost bez zatížení	0 – 3000 min <sup>-1</sup>	3000 min <sup>-1</sup>
Zdvih	18mm	
Minimální poloměr řezu	25mm	
Váha (bez napájecího kabelu)	1,5kg	

\* Zkontrolujte, prosíme, štítek na výrobku. Štítek podléhá změnám v závislosti na oblastech použití.

#### STANDARDNÍ PŘÍSLUŠENSTVÍ

- (1) List č. 31 ..... 1  
Pro řezivo velkých tloušťek.  
(2) Ochranný kryt proti odštěpování ..... 1  
(3) Kryt proti třískám ..... 1  
(4) Klíč na vnitřní šestihrany ..... 1  
Standardní příslušenství podléhá změnám bez upozornění.

#### DOPLŇKOVÉ PŘÍSLUŠENSTVÍ (Prodává se zvlášť)

- (1) Listy, č. 1 – č. 6, č. 31\*  
\* Plátek č. 31 je standardním příslušenstvím.  
(2) Vedení  
Doplňky podléhají změnám bez předchozího upozornění.

#### POUŽITÍ

- Řezání různých dřevěných prken a řezání otvorů
- Řezání desek z měkké oceli, hliníku a mědi
- Řezání syntetických pryskyřic, jako je např. fenolová pryskyřice a vinylchlorid
- Řezání tenkých a měkkých konstrukčních materiálů

#### PŘED POUŽITÍM

1. **Zdroj napětí**  
Ujistěte se, že používaný zdroj napětí splňuje požadavky specifikované na štítku výrobku.
2. **Spínač**  
Ujistěte se, že spínač je v poloze vypnuto. Pokud je zástrčka zasunuta v zásuvce elektrického proudu a spínač je v poloze „ON“, nástroj začne okamžitě pracovat, a to může způsobit vážný úraz.
3. **Prodlužovací kabel**  
Pokud je pracoviště vzdáleno od zdroje, použijte prodlužovací kabel o správné tloušťce a kapacitě. Je třeba, aby prodlužovací kabel byl co nejkratší.

#### MONTÁŽ PILOVÉHO PLÁTKU

1. Pro uvolňování stavěcích šroubů plátku listu používejte šestihranný klíč z příslušenství **Obr. 1(a)**.
2. Plátek přidržte ostrím dopředu, upevňovací část plátku zasuněte na doraz do západkové drážky.
3. Boční šroub upevněte dle **Obr. 1(b)**.

#### UPOZORNĚNÍ

- V důsledku uvolněných stavěcích šroubů může dojít k poškození plátku. Zajistěte, aby stavěcí šrouby byly vždy řádně dotaženy. Západkovou drážku udržujte v čistotě a zajistěte tak možnost řádného upevnění plátku a stavěcího šroubu.

## 4. Uložení šestihřanného šroubu

- (1) Vložte ho do otvoru na straně hlavní jednotky kratší stranou vodorovně dle **Obr. 2**.
- (2) Klíč otočte a zajistěte dle **Obr. 2**.

## SEŘÍZENÍ VODÍCÍ KLDKY

Vodící kladka dle **Obr.3** se používá pro zajištění stabilního chodu plátku. Před použitím vodící kladku seřídte následujícím postupem:

- (1) Stavěcí šroub držáku uvolněte šestihřanným šroubem z příslušenství.
- (2) Vodící kladkou opatrně posouvejte, až se lehce dotkne zadní části plátku.

### POZNÁMKA

Při dodání ze závodu je mezi kladkou a plátkem mezera cca 3 mm.

- (3) Stavěcí šroub držáku řádně dotáhněte.

### UPOZORNĚNÍ

- Vodící kladku lze použít pouze u plátků s přímou zadní rýskou delší než 50mm. (**Obr. 4A a 4B**) Při použití jiných typů plátků (**Obr. 4C**) vodící kladku zasuňte dozadu tak, aby nebyla v kontaktu s plátkem.
- Při řezání tlustých desek nebo v případě nepřetržitého řezání používejte plátek dle **Obr. 4A, 4B** a zajistěte nastavení vodící kladky.

## USTAVENÍ OCHRANNÉHO KRYTU (PROTI ODLÉTÁVAJÍCÍM PILINÁM)

### 1. Kryt proti odlétávajícím pilinám

Pro zamezení odlétávání pevných částic a snazší obsluhu používejte ochranný kryt proti odlétávajícím pilinám.

Při zasouvání ochranného krytu mírně tlačte na jeho přední část.

Ochranný kryt lze nastavit ve třech polohách dle **Obr. 5**.

### 2. Volba polohy ochranného krytu

Při nasazování nebo demontáži plátku mějte ochranný kryt v první krajní poloze.

Při řezání dřevěných materiálů mějte ochranný kryt ve druhé poloze.

Při řezání kovových materiálů, např. oceli, mějte ochranný kryt ve druhé nebo třetí poloze.

### UPOZORNĚNÍ

- Při práci s nářadím mějte ochranný kryt ve spodní poloze.
- Ochranné brýle používejte i v případě, že je nasazen ochranný kryt.

## NASTAVENÍ PRACOVNÍ RYCHLOSTI LISTU ..... (POUZE U FCJ65V3)

### POZNÁMKA

U typu FCJ65S3 nelze pracovní rychlost plátku nastavit. Pracovní rychlost plátku je nastavitelná v rozsahu 0 až 3,000 min<sup>-1</sup> dle míry stlačení spoušťového spínače. Zvolte vhodnou rychlost dle řezaného materiálu a/nebo pracovních podmínek.

Pro zajištění nepřetržitého provozu nadoraz stlačte spoušťový spínač a zajistěte pojistkou. Poté otáčejte ovladačem a nastavte požadovanou rychlost.

### POZNÁMKA

Ovladačem rychlosti lze otáčet o přibližně 1,5 otáčky. Spínač lze VYPNOUT uvolněním pojistky opětovným stlačěním spoušťového spínače a jeho následným uvolněním.

## ŘEZÁNÍ

### UPOZORNĚNÍ

- Při řezání musí být základová deska v pevném kontaktu s povrchem materiálu a plátek nutno držet pod pravým úhlem. Pokud se deska oddělí od materiálu, může dojít ke zlomení plátku.

- Při řezání a současném přidržování čelní plochy buďte opatrní na pohyblivý plátek a pevně přidržujte horní část.

### 1. Přímochařé řezání

- (1) Pro zajištění přesného přímochařého řezání použijte volitelné vodítko z příslušenství dle **Obr. 6**.

- (2) Pro snížení drsnosti řezného povrchu dřevěných materiálů používejte ochranu proti otrpěpům. Ochranu proti otrpěpům upevníte vložením z přední části desky a zacvaknutím nadoraz. (**Obr. 7**)

### UPOZORNĚNÍ

Při použití ochrany proti otrpěpům základovou desku nastavte do přední polohy.

### 2. Řezání do kruhu nebo oblouku

Pro zajištění účinného přímochařého řezání použijte volitelné vodítko a hřebík nebo vrut z příslušenství dle **Obr. 8**.

Při montáži vodítka uvolněte spodní šroub desky a posuňte ji vpřed do krajní polohy.

### 3. Řezání zakřivených linií

Když provádíte řezání malého kruhového oblouku, zmenšete příslušnou rychlost posuvu nářadí. Pokud má nářadí příliš rychlý posuv, může dojít k prasknutí listu.

### 4. Řezání kovových materiálů

Vždy používejte vhodnou řeznou kapalinu (vřetenový olej, mýdlovou vodu apod.). Není-li řezná kapalina k dispozici, pak zadní povrch materiálu určeného k řezání potřete vazelinou.

### 5. Řezání dř

- (1) V dřevěném prkně

Vyrovnejte směr listu se žilkováním dřeva a řezejte krok za krokem, dokud se nevyřízne průchozí otvor uprostřed prkna. (**Obr. 9**)

- (2) V jiných materiálech

Při řezání průchozího otvoru v materiálech jiných než dřevěná prkna nejdříve vrtačkou nebo podobným nářadím vyvrtejte otvor, od kterého se začne řezání.

### 6. Řezání pod úhlem

Ochranný kryt nastavte do první krajní polohy. (**Obr. 5**)  
Pro nastavení úhlu sklonu; uvolněte spodní šroub desky, desku posuňte do strany do drážky půlkruhové části, stupnici na půlkruhové části desky zarovnejte (hodnoty vyřité na stupnici udávají úhel sklonu) s vodícím proužkem pouzdra a řádně dotáhněte spodní šroub desky (**Obr. 10 a 11**)

### UPOZORNĚNÍ

Při použití vodítka šroub nastavte naproti šikmé strany. (**Obr. 12**)

### 7. Praxnost během provozu

### UPOZORNĚNÍ

- Aby nedocházelo k nehodám, pokud se nářadí nepoužívá, vypněte spínač a šňůru odpojte od napájení.
- Pokudyny k používání lapače prachu a řezné drti naleznete v návodu k obsluze lapače prachu.

*Prach vznikající během běžného provozu může mít nepříznivý vliv na zdraví obsluhy. Doporučuje se aplikovat některé z následujících opatření.*



- a) Používejte ochrannou masku  
b) Používejte vnější odsávací zařízení

Pokud používáte externí zařízení pro zachycování prachu, připojte pryžový adaptér (příslušenství externího zařízení zachycování prachu) ke konci hadice z externího zařízení zachycování prachu.

Potom připojte druhý konec pryžového adaptéru s části k připojení hadice, která je umístěna na zadním konci přímočaré pily. (Viz Obr. 13)

## VOLBA LISTU

### 1. Doplnkové listy

Aby se zajistila maximální provozní účinnost a výsledky, je velmi důležité zvolit patřičný list, který je nejlépe vhodný pro typ a tloušťku materiálu určeného k řezání. Jako standardní příslušenství je k dispozici jeden typ plátků. Číslo listu je vryto v blízkosti místa upevnění každého listu.

Zvolte vhodné listy podle **Tabulky 1**.

**Tabulka 1** Přehled vhodných plátků

Řezaný materiál	Jakost materiálu	Plátek č.
Dřevo	Běžné dřevo	č. 1 nebo č. 31 (tlustý plech) nebo č. 41 (tlustý plech) nebo č. 2 (tenký plech)
	Dřevotřísková	č.3 nebo č.6
Železný plech	Plech z měkké oceli	č. 6
Neželezný materiál	Hliník, měď, mosaz	č. 6
Syntetická pryskyřice	Fenolová pryskyřice, melaminová pryskyřice atd.	č.4 (tlustý plech) nebo č.6 (tenký plech)
	Vinylchlorid, akrylová pryskyřice atd.	č.2 nebo 4 (tlustý plech) nebo č.6 (tenký plech)
	Pěnový styrol apod.	č. 2
Buničina	Lepenka, vlnitý papír	č. 2
	Dřevovláknitá lisovaná deska	č. 5 nebo č. 6
	Dřevovláknitá deska	č. 6
Ostatní	Tvrdá pryž	č. 2
	Břidlice	č. 5

### 2. Povolené běžně dostupné plátky (Obr. 14)

Tento stroj je navržen tak, aby bylo možné používat většinu na trhu běžně dostupných pilových plátků. Jak je zobrazeno na **Obr.14**, pro rozměry plátku vyplývají následující omezení:

- Tloušťka : L2 ..... méně než 1,6mm
- Šířka : L3 ..... 6,3mm
- L4 ..... 8mm
- L5 ..... 7mm

### POZNÁMKA

Při řezání tlustých materiálů používejte originální pilové plátky HITACHI se sklonem dle **Obr. 4-A** nebo **B**.

## ÚDRŽBA A KONTROLA

### 1. Kontrola nástroje

Používání tupého nebo poškozeného listu má za následek snížení účinnosti řezání a může způsobit přetížení motoru. Jakmile zjistíte nadměrné opotřebení listu, vyměňte jej za nový.

### 2. Kontrola šroubů:

Pravidelně zkontrolujte všechny šrouby a ujistěte se, že jsou správně utažené. Pokud najdete některé šrouby uvolněné, ihned je utáhněte. Neutažené šrouby mohou vést k vážnému riziku.

### 3. Údržba motoru

Vinutí motoru je srdce elektrického zařízení. Ujistěte se, že vinutí není poškozené nebo vlhké vodou nebo olejem.

### 4. Výměna přírodní kabelu

Pokud dojde k poškození přírodního kabelu nářadí, je třeba nářadí zaslat do Autorizovaného Servisního Střediska firmy Hitachi pro provedení výměny kabelu.

### 5. Servis

V případě poruchy tohoto elektrického nářadí se spojte s autorizovaným servisním střediskem.

### 6. Seznam servisních položek

#### POZOR

Oprava, modifikace a inspekce zařízení Hitachi musí být prováděny autorizovaným servisním střediskem Hitachi. Tento seznam servisních položek bude pomocí předložíte-li jej s vaším zařízením autorizovanému servisnímu středisku Hitachi společně s požadavkem na opravu nebo další servis.

Při obsluze a údržbě elektrických zařízení musí být dodržovány bezpečnostní předpisy a normy platné v každé zemi, kde je výrobek používán.

#### MODIFIKACE

Výrobky firmy Hitachi jsou neustále zdokonalovány a modifikovány tak, aby se zavedly nejposlednější výsledky výzkumu a vývoje.

Následně, některé díly mohou být změněny bez předešlého oznámení.

#### POZNÁMKA

Vlivem stále pokračujícího výzkumného a vývojového programu HITACHI mohou zde uvedené parametry podléhat změnám bez předchozího upozornění.

---

**Informace o hluku a vibracích**

Měřené hodnoty byly určeny podle EN60745 a deklarovány ve shodě s ISO 4871.

[FCJ65V3]

Změřená vážená hladina akustického výkonu A: 96 dB (A)

Změřená vážená hladina akustického tlaku A: 85 dB (A)

Neurčitost KpA: 3 dB (A)

Použijte ochranu sluchu.

Typická vážená střední hodnota zrychlení nepřesahuje 7,6 m/s<sup>2</sup>

---

## GENEL GÜVENLİK KURALLARI

### DİKKAT!

#### Bütün talimatları okuyun

Aşağıda belirtilen talimatların tümünün uygulamaması, elektrik çarpması, yangın ve/veya ciddi yaralanmalarla sonuçlanabilir. Aşağıdaki uyarılarda belirtilen "Elektrikli alet" terimi, işletilen (kablolu) veya (kablolu) ana elektrik aletlerini kapsar.

### BU TALİMATLARI SAKLAYINIZ

#### 1) Çalışma ortamı

- a) Çalışma ortamı temiz ve iyi ışıklandırılmış olmalıdır.

*Dağınık ve karanlık ortamlar kazanın davetçisidir.*

- b) Yanıcı sıvıların, gazların veya tozların bulunduğu patlayıcı ortamlarda elektrikli aletlerle çalışmayınız.

*Elektrikli aletler kıvılcım sıçratabilir ve de gaz tozlarını ateşleyebilir.*

- c) Elektrikli alet kullanırken çocuklardan ve seyircilerden uzak tutun.

*Dikkat dağıtıcı şeyler kontrolü kaybetmenize yol açabilir.*

#### 2) Elektrik güvenliği

- a) Elektrikli aletin fişi prize uygun olmalıdır. Fişi hiçbir şekilde değiştirmeye çalışmayın.

*Elektrikli aletin topraklanmış fişinde herhangi bir adaptör kullanmayın.*

*Değiştirilmemiş fişler ve onlarla uygun prizler elektrik çarpması riskini azaltır.*

- b) Boru, radyatör, ocak/fırın ve buzdolabı gibi topraklanmış yüzeylerle vücut temasından sakının.

*Vücüdünüzün toprakla temasa geçmesi elektrik çarpması riskini artırır.*

- c) Elektrikli aletleri yağmur ve ıslak ortamlara maruz bırakmayın.

*Elektrikli aletin içersine su girmesi elektrik çarpması riskini artırır.*

- d) Güç kablosuna zarar vermeyin. Elektrikli aleti taşımak, çekmek veya prizden çıkarmak için kabloyu kullanmayın.

*Kabloyu kesici veya hareketli parçalardan, sıcak yüzeylerden ve yağdan uzak tutun.*

*Hasar görmüş veya dolaşmış kablolar elektrik çarpması riskini artırır.*

- e) Elektrikli aleti açık alanlarda kullanırken, açık alana özel uzatma kablosu kullanın.

*Açık alana özel kablolar elektrik çarpması riskini azaltır.*

#### 3) Kişisel güvenlik

- a) Daima tetikte olun, elektrikli aleti kullanırken ne yaptığınızı farkında ve duyarlı olun.

*Elektrikli aleti alkol, ilaç veya uyuşturucu etkisi altındayken veya yorgunken çalıştırmayın.*

*Elektrikli aleti kullanırken gösterilecek bir saniyelik dikkatsizlik, ciddi yaralanmalara yol açabilir.*

- b) Koruyucu ekipman kullanın. Daima koruyucu gözlük takın.

*Toz maskesi, kaymayan emniyet ayakkabısı, sert başlık veya işitme koruyucusu gibi koşullara uygun olan ve yaralanma riskini azaltıcı koruyucu ekipmanlar kullanın.*

- c) Aletin istem dışı çalışmasına karşın önlem alın. Prize takmadan önce şalter düğmesinin kapalı konumunda olduğundan emin olun.

*Elektrikli aleti parmağınız şalter üzerinde olduğu halde taşımak veya prize takmak kazanın davetçisidir.*

- d) Elektrikli aleti çalıştırmadan önce ayar anahtarlarını çıkartın.

*Elektrikli aletin dönen kısmına takılı kalmış olan bir anahtar, yarananmalara yol açabilir.*

- e) Fazla uzanmayın. Ayaklarınızın konumuna ve dengeye her zaman dikkat edin.

*Böylece beklenmedik bir durumla karşılaştığınızda, elektrikli aleti daha iyi kontrol altında tutmanızı sağlar.*

- f) Uygun çalışma giysisi giyin. Bol giysiler ve takılardan kaçının. Saçınızı, giysilerinizi ve eldiveninizi hareketli parçalardan uzak tutun.

*Bol giysiler, takılar veya uzun saç oynayan parçalara takılabilir.*

- g) Toz toplama bağlantısı için gerekli teçhizat ve bağlantı araçları sağlanmışsa, bunların bağlı olduğundan ve doğru şekilde kullanıldığından emin olun.

*Bu teçhizatların kullanılması tozun yaratacağı tehlikeleri azaltacaktır.*

#### 4) Elektrikli aletin kullanımı ve bakımı

- a) Elektrikli aleti zorlamayın. Yapacağınız işe uygun doğru aleti kullanın.

*Doğru elektrikli aletin kullanılması işinizi hem kolaylaştıracağı gibi hem de tasarlanmış süratte daha güvenli bir şekilde yapmanızı sağlar.*

- b) Eğer elektrikli aletin şalter düğmesi açılıp kapanmıyorsa, aleti kullanmayın.

*Şalter düğmesinden kumanda edilemeyen elektrikli aletler tehlike yaratır ve tamir edilmeleri gerekir.*

- c) Aksesuar değişimlerinde, ayarlamalar sırasında veya elektrikli aleti saklamadan önce elektrik bağlantısını kesin.

*Bu gibi önleyici emniyet tedbirleri elektrikli aletin istem dışı çalışma riskini azaltır.*

- d) Kullanılmayan elektrikli aletleri çocukların ulaşamayacağı yerlerde tutun. Aleti kullanmasını bilmeyen ve bu talimatlara aşina olmayan kişilere kullandırmayın.

*Elektrikli aletler deneyimsiz ve eğitilmemiş kişilerin eline tehlikeli olur.*

- e) Elektrikli aletin bakımını yapın. Hareketli parçaların yapışmamasını, kırık olmamasını, düzenli hizalanmasını veya aletin işletimini etkileyecek herhangi bir durum olmadığını kontrol edin.

*Çoğu kazaya yetersiz bakımlı elektrikli aletleri neden olur.*

- f) Aletlerinizi keskin ve temiz tutun.

*Düzenli bakımı yapılmış keskin uçlu takımların yapışma ihtimali azdır ve de kontrol edilmeleri daha kolaylaşır.*

- g) Elektrikli aleti, aksesuarları ve uçları vs. bu talimatlar doğrultusunda ve o elektrikli aletin amaçlanan kullanımını için, çalışma koşullarını ve de yapılacak işi göz önüne alarak kullanın.

*Elektrikli aletin amaçlanan kullanımını dışında kullanılması tehlikeli bir durum yaratabilir.*

## 5) Servis

- a) Elektrikli aleti vasıflı bir kişi tarafından sadece ödeş yedek parçalar kullanarak tamir edilmesini sağlayın.

*Böylece elektrikli aletin güvenli kullanımını sağlanacaktır.*

## ÖNLEM

Çocukları ve diğer yeterli güce sahip olmayan kişileri uzak tutun.

Kullanılmadığı zamanlarda aleti çocuk ve yeterli güce sahip olmayan kişilerin ulaşamayacağı bir yerde saklayın.

## TEKNİK ÖZELLİKLER

Model	FCJ65V3	FCJ65S3
Voltaj (bölgelere göre)*	(110V, 115V, 120V, 127V, 220V, 230V, 240V)~	
Güç girişi*	400W*	
Maks. Kesme Derinliği	Ahşap: 65mm Yumuşak Çelik: 6mm	
Yüksüz hız	0 – 3000 dak <sup>-1</sup>	3000 dak <sup>-1</sup>
Darbe	18mm	
Min. Kesme Yarıçapı	25mm	
Ağırlık (kordonsuz)	1,5kg	

\* Bu değer bölgeden bölgeye değişiklik gösterdiği için ürünün üzerindeki plakayı kontrol etmeyi unutmayın.

## STANDART AKSESUARLAR

- (1) Bıçak No. 31 ..... 1  
Kalın kerese kesimi için.
- (2) Kıymık muhafazası ..... 1
- (3) Talaş/yonca kapağı ..... 1
- (4) Alyan anahtarı ..... 1
- Standart aksesuarlarda önceden bildirimde bulunulmadan değişiklik yapılabilir.

## İSTEĞE BAĞLI AKSESUARLAR (Ayrıca satılır)

- (1) Bıçaklar, No. 1 – 6, 31\*  
\* No. 31 Bıçak standart aksesuardır.
- (2) Kılavuz  
İsteğe bağlı aksesuarlarda önceden bildirimde bulunulmadan değişiklik yapılabilir.

## UYGULAMALAR

- Çeşitli ahşapları kesme ve cep açma
- Yumuşak çelik plaka, alüminyum plaka ve bakır plaka kesme
- Fenol reçine ve vinil klorür gibi sentetik reçineleri kesme
- İnce ve yumuşak inşaat malzemelerini kesme

## ALETİ KULLANMADAN ÖNCE

## 1. Güç kaynağı

Kullanılan güç kaynağının, ürünün üzerinde bulunan plakada belirtilen güç gerekliliklerine uygun olduğundan emin olun.

## 2. Açma/ Kapama anahtarı

Açma/ kapama anahtarının OFF konumunda olduğundan emin olun. Açma/ kapama anahtarı ON konumundayken aletin fişi prize takılırsa, alet derhal çalışmaya başlar ve ciddi kazalar meydana gelebilir.

## 3. Uzatma kablosu

Çalışma alanı güç kaynağından uzakta olduğunda, yeterli kalınlıkta ve belirtilen gücü kaldırabilen bir uzatma kablosu kullanın. Uzatma kablosu olabildiğince kısa tutulmalıdır.

## BIÇAĞIN TAKILMASI

- Aksesuar olarak gelen alyan anahtarını kullanarak bıçak ayar vidalarını gevşetip **Şekil 1(a)**'da gösterildiği gibi bıçak tutucusunun üzerine getirin.
- Biçağın keskin kenarı ön tarafa gelecek şekilde tutarak biçağın takılma ucunu, iticinin oluğuna, uç dibine kadar girecek şekilde yerleştirin.
- Şekil. 1(b)**'de gösterildiği üzere, kenar vidasını iyice sıkıştırın.

## DİKKAT

- Gevşek bırakılmış ayar vidaları biçağın zarar görmesine neden olabilir. Her zaman için ayar vidalarının iyice sıkıştırıldığından emin olun. Güvenli bıçak takımı ve ayar vidasının sabitlenmesini sağlamak için her zaman, itici oluğun temiz ve talaştan arınmış olmasına özen gösterin.
- Alyan anahtarını saklama
- (1) **Şekil. 2**'da gösterildiği üzere kısa kenarı yatay olarak tutarak alet gövdesinin kenarındaki deliğe sokun.
- (2) Alyan anahtarını içeri girmiş konumdayken çevirin ve **Şekil. 2**'de gösterildiği üzere kenetleyin.

## KILAVUZ KIZAĞININ AYARI

Kılavuz kızığı, **Şekil. 3**'de gösterildiği üzere biçağın kırılmasını önlemek üzere kullanılır. Kullanmadan önce aşağıdaki işlemleri uygulayarak kılavuz kızak ayarlarını yapın:

- Aksesuar olarak gelen alyan anahtarını kullanarak tutamacın ayar vidasını gevşettin.
- Kılavuz kızığını, kızak oluğu biçağın arka tarafına hafifçe değecek konuma gelene kadar yavaşça kaydırın.

## NOT

Fabrikadan çıkışında kızak ile bıçak arası 3mm'ye ayarlanmıştır.

- Tutamacın ayar vidasını sıkıca sıkıştırın.

## DİKKAT

- Kılavuz kızığı, sadece arkasında 50mm'den uzun bir düz çizgi olan Bıçaklar için kullanılabilir (**Şekil. 4A** ve **4B**). Diğer türden bıçakları kullanırken (**Şekil. 4C**), kılavuz kızığını bıçak ile temas etmeyecek şekilde arkaya doğru kaydırın.

- Kalın tahtaları keserken veya sürekli kesim işlemlerimde, bıçağı **Şekil. 4A, 4B**'deki gibi kullanın ve de kılavuz kızak ayarlarını yaptığınızdan emin olun.

## TALAŞ/YONGA KAPAK KONUMU

### 1. Talaş/Yonga Kapağı

Talaş/Yonga kapağı, kesim sırasında yonga uçuşmasını asgaride tutmak ve böylece aletin kolay işletimini sağlamak için kullanılır.

Talaş/Yonga kapağının ön tarafına hafifçe bastırarak kaydırıp takın.

**Şekil. 5**'da gösterildiği gibi talaş/yonga kapağı üç konuma ayarlanabilir.

### 2. Talaş/Yonga kapak konumunun seçimi

Bıçak takılımı ve çıkarılışı sırasında talaş/yonga kapağını birinci basamağa ayarlayın.

Ahşap malzeme kesimi sırasında talaş/yonga kapağını ikinci basamağa ayarlayın.

Çelik gibi metal malzeme kesimi sırasında talaş/yonga kapağını ikinci veya üçüncü basamağa ayarlayın.

### DİKKAT

- Aleti kullanırken talaş/yonga kapağını daima alçak konumda tutun.
- Talaş/yonga kapağı kullanılsa bile mutlaka koruyucu gözlük kullanın.

## BİÇAK ÇALIŞMA HIZINI AYARLAMA

..... (SADECE FCJ65V3 İÇİN)

### NOT

FCJ65S3 modelinde bıçak çalışma hızı ayarlanamaz.

Tetik anahtarının basılma derecesine göre bıçak çalışma hızı 0 ile 3,000 dak<sup>-1</sup> arasında ayarlanabilir. Çalışma koşulları ve/veya üzerinde çalışılan malzemeye uygun bir hız seçin.

Sürekli işletim için, tetik anahtarını sonuna kadar çekin ve durdurucuya basın. Sonra hız ayar düğmesini çevirerek arzu edilen bıçak çalışma hızına ayarlayın.

### NOT

Hız ayar düğmesi yaklaşık 1,5 devir döner. Düğmeyi KAPATMAK için, önce tetik anahtarını tekrar çekip durdurucuyu serbest bırakın ve sonra tetik anahtarını da serbest bırakın.

## KESME

### DİKKAT

- Kesme işlemi sırasında taban, kesilecek malzemenin yüzeyine tam temas etmeli ve bıçak dik açıda tutulmalıdır. Eğer taban kesilen malzemeden ayrılırsa, bıçağın kırılmasına neden olabilir.
- Kesme işlemi sırasında ön yüzeyi tutarken bıçağa çok dikkat edin ve üst kısmı sıkıca kavrayın.

### 1. Düz kesme

(1) Hassas düz kesimi sağlamak için aksesuar olarak gelen kılavuzu **Şekil. 6**'de gösterildiği gibi kullanın.

(2) Ahşap malzemenin kesilen yüzeyindeki pürüzlülüğü gidermek için kıymık muhafazasını kullanın. Kıymık muhafazasını, tabanın ön tarafından sokup yerine oturuncaya kadar iterek takın. (**Şekil. 7**)

### DİKKAT

Kıymık muhafazasını kullanırken tabanı ön konumuna ayarlayın.

### 2. Dairesel veya dairesele yay kesme

Verimli kesme işlemi için aksesuar olarak gelen kılavuz ve çivi veya ahşap vidasını **Şekil. 8**'da gösterildiği gibi kullanın.

Kılavuzu takarken, tabanın altındaki vidayı gevşettin ve tabanı gidebildiğince ileri itin.

### 3. Kavisli çizgi kesme

Küçük dairesele bir yay keserken aletin besleme hızını düşürün. Alete çok hızlı besleme yapılması bıçağın kırılmasına neden olabilir.

### 4. Metal malzeme kesme

Daima uygun kesme sıvısı (mil yağı, sabunlu su vs.) kullanın. Bir kesme sıvısının bulunmadığı durumlarda, kesilecek malzemenin arka yüzeyine gres yağı uygulayın.

### 5. Cep açma

#### (1) Ahşapta

Bıçak yönünü odunun yönüyle ayarlayarak, ahşabın merkezinde bir pencere deliği açılan kadar adım adım kesin. (**Şekil 9**)

#### (2) Diğer malzemelerde

Ahşap dışındaki malzemelerde pencere açarken önce kesmeyi başlatmak için matkap veya benzer bir aletle delik açın.

### 6. Açısal kesme

Talaş/Yonga kapağını birinci basamağa ayarlayın. (**Şekil. 5**)

Eğim açısını ayarlamak için önce tabanın altındaki vidayı gevşettin, tabanın konumunu yarı dairesele kısmındaki kenar oluğuyla hizaya gelecek şekilde kaydırın, tabanın yarı dairesele kısmındaki ölçek ile gövde kenar çizgisini hizalayın (ölçeğin üzerindeki şekiller eğim açısını gösterir) ve sonradan tabanın altındaki vidayı iyice sıkıştırın. (**Şekil. 10 ve 11**)

### DİKKAT

Kılavuzu kullanırken vidayı eğim kenarının karşı tarafına takın. (**Şekil. 12**)

### 7. İşletim sırasında çıkacak tozlar

#### DİKKAT

- Kazaları önlemek için kullanılmadığı zamanlar aletin güç anahtarını kapayın ve kablosunu prizden çekin.
- Toz toplayıcı ve kesimde oluşan yonga parçaları için lütfen toz toplayıcının kullanım kılavuzunu okuyun.

*Normal işletim sonucu oluşan tozlar kullanıcının sağlığını olumsuz yönde etkileyebilir. Aşağıdakilerden birisinin kullanımı önerilir:*

#### a) Yüz toz maskesi kullanın

#### b) Harici bir toz toplama donatımı kullanın

Harici toz toplama donatımını kullanırken, lastik adaptörünü (harici toz toplama donatım aksesuarı) harici toz toplama donatımından çıkan hortumun ucuyla birleştirin.

Sonra, lastik adaptörün diğer ucunu dekapajın arka çukurunda hortum takma ucuna bağlayın. (Bakınız **Şekil. 13**)

## BİÇAK SEÇİMİ

### 1. Aksesuar bıçaklar

Maksimum çalışma verimliliği ve en iyi sonucu almak için kesilecek malzemenin türüne ve kalınlığına uygun bıçağın seçilmesi önemlidir. Bir tip bıçak standart aksesuar olarak verilmiştir. Bıçak numarası, bıçağın montaj yerinin yakınına kazılmıştır. Uygun bıçağı **Tablo 1**'i kullanarak seçin.

Tablo 1 Uygun Bıçakların Listesi

Kesilecek malzeme	Malzeme kalitesi	Bıçak No.
Ahşap	Genel ahşap	No.1 veya No.31 (kalın levha) veya No.41 (kalın levha) veya No.2 (ince levha)
	Kontrplak	No.3 veya No.6
Demir plaka	Yumuşak çelik plaka	No.6
Demir içermeyen metaller	Alüminyum, bakır, piriç	No.6
Sentetik reçine	Fenol reçine, melamin reçine, vs.	No.4 (kalın levha) veya No.6 (ince levha)
	Vinil klorür, akril reçine, vs.	No.2 veya No.4 (kalın levha) veya No.6 (ince levha)
	Polistiren köpüğü, vs.	No.2
Karton	Karton, oluklu mukavva	No.2
	Sert elyaf levhası	No.5 veya No.6
Diğerleri	Elyaf levhası	No.6
	Sert kauçuk	No.2
	Arduvaz	No.5

## 2. Piyasada bulunan bıçakların kullanılabilirliği (Şekil. 14)

Bu alet, piyasada bulunan çoğu bıçağı kabul edebilecek şekilde tasarlanmıştır. Şekil. 14'de gösterildiği gibi, bıçak boyut sınırlamaları aşağıdadır:

- Kalınlık : L2 .... 1,6 mm'den az
- Genişlik : L3 .... 6,3 mm
- L4 .... 8mm
- L5 .... 7mm

### NOT

Kalın malzeme kesimlerinde, Şekil. 4-A veya B'de gösterilen eğilme derecelerindeki orijinal HITACHI bıçaklarını kullanın.

## BAKIM VE İNCELEME

### 1. Bıçağın incelenmesi

Körleşmiş veya hasar görmüş bir bıçağın kullanılması kesme verimliliğini düşürecek ve motorun aşırı yüklenmesine neden olacaktır. Aşırı yıpranma fark edilir fark edilmez bıçağı yenisiyle değiştirin.

### 2. Montaj vidalarının incelenmesi:

Tüm montaj vidalarını düzenli olarak inceleyin ve sağlam şekilde sıkılı olduğundan emin olun. Gevşeyen vidaları derhal sıkın. Gevşemiş vidalar ciddi tehlikelere yol açabilir.

### 3. Motorun incelenmesi

Motor biriminin sargıları, bu ağır iş aletinin "kalbidir". Sargının hasar görmediğinden ve/veya yağ ya da su ile ıslanmadığından emin olun.

### 4. Elektrik kablosunun değiştirilmesi

Aletin elektrik kablosu hasar görmüşse, kablonun değiştirilmesi için alet Hitachi Yetkili Servis Merkezine götürülmelidir.

### 5. Servis

Aletinizin arıza yapması durumunda yetkili bir Servis Temsilcisine başvurunuz.

### 6. Servis parçaları listesi

#### DİKKAT

Hitachi Ağır İş Aletlerinin bakımı, değiştirilmesi ve incelenmesi, Hitachi Yetkili Servis Merkezlerince gerçekleştirilmelidir.

Bu Parça Listesi, tamir veya herhangi başka bir bakım gerektiğinde Hitachi Yetkili Servis Merkezine çok yardımcı olur.

Ağır iş aletlerinin kullanımı ve bakımı konusunda her ülkede yürürlükte olan güvenlik düzenlemelerine ve standartlarına uygun davranılmalıdır.

#### DEĞİŞİKLİKLER

Hitachi Ağır İş Aletleri en son teknolojik ilerlemelere uygun olarak sürekli geliştirilmekte ve geliştirilmektedir. Dolayısıyla, bazı kısımlarda (örneğin kod numaraları ve/veya tasarımı gibi) önceden bildirimde bulunulmadan değişiklik yapılabilir.

### NOT

HITACHI'nin süregelen araştırma ve geliştirme programına bağlı olarak burada belirtilen teknik özelliklerde önceden bildirimde bulunulmadan değişiklik yapılabilir.

#### Havadan yayılan gürültü ve titreşimle ilgili bilgiler

Ölçülen değerlerin EN60745 ve ISO 4871'e uygun olduğu tespit edilmiştir.

[FCJ65V3]

Ölçülmüş A-ağırlıklı ses gücü seviyesi: 96 dB (A)

Ölçülmüş A-ağırlıklı ses basınç seviyesi: 85 dB (A)

Belirsiz KpA: 3dB (A)

Kulak koruyucusu kullanın.

Tipik ağırlıklı ortalama karekök ivme değeri: 7,6 m/s<sup>2</sup>

## ОБЩИЕ ПРАВИЛА ПО ТЕХНИКЕ БЕЗОПАСНОСТИ

### ПРЕДУПРЕЖДЕНИЕ!

#### Прочтите руководство по эксплуатации

Невыполнение всех приведенных ниже положений данного руководства может привести к поражению электрическим током, пожару и/или к серьезной травме. Термин "электроинструмент" в контексте всех приведенных ниже мер предосторожности относится к эксплуатируемому Вами электроинструменту с питанием от сетевой розетки (с сетевым шнуром) или электроинструменту с питанием от аккумуляторной батареи (беспроводному).

### СОХРАНИТЕ ДАННОЕ РУКОВОДСТВО

#### 1) Рабочее место

- a) **Поддерживайте чистоту и хорошее освещение на рабочем месте.**

*Беспорядок и плохое освещение на рабочих местах приводит к несчастным случаям.*

- b) **Не используйте электроинструменты во взрывоопасных окружающих условиях, например, в непосредственной близости от огнеопасных жидкостей, горючих газов или легковоспламеняющейся пыли.**

*Электроинструменты порождают искры, которые могут воспламенить пыль или испарения.*

- c) **Держите детей и наблюдателей на безопасном расстоянии во время эксплуатации электроинструмента.**

*Отвлечение внимания может стать для Вас причиной потери управления.*

#### 2) Электробезопасность

- a) **Штепсельные вилки электроинструментов должны соответствовать сетевой розетке.**

*Никогда не модифицируйте штепсельную вилку никоим образом.*

**Не используйте никакие адаптерные переходники с заземленными (замкнутыми на землю) электроинструментами.**

*Немодифицированные штепсельные вилки и соответствующие им сетевые розетки уменьшат опасность поражения электрическим током.*

- b) **Не прикасайтесь телом к заземленным поверхностям, например, к трубопроводам, радиаторам, кухонным плитам и холодильникам.**

*Если Ваше тело соприкоснется с заземленными поверхностями, возрастет опасность поражения электрическим током.*

- c) **Не подвергайте электроинструменты воздействию дождя или влаги.**

*При попадании воды в электроинструмент возрастет опасность поражения электрическим током.*

- d) **Правильно обращайтесь со шнуром. Никогда не переносите электроинструмент, взявшись за шнур, не тяните за шнур, и не дергайте за шнур с целью отсоединения электроинструмента от сетевой розетки.**

*Располагайте шнур подальше от источников тепла, нефтепродуктов, предметов с острыми кромками и движущихся деталей.*

*Поврежденные или запутанные шнуры увеличивают опасность поражения электрическим током.*

- e) **При эксплуатации электроинструмента вне помещений, используйте удлинительный шнур, предназначенный для использования вне помещения.**

*Использование шнура, предназначенного для работы вне помещений, уменьшит опасность поражения электрическим током.*

#### 3) Личная безопасность

- a) **Будьте готовы к неожиданным ситуациям, внимательно следите за своими действиями и руководствуйтесь здравым смыслом при эксплуатации электроинструмента.**

**Не используйте электроинструмент, когда Вы устали или находитесь под влиянием наркотиков, алкоголя или лекарственных препаратов.**

*Мгновенная потеря внимания во время эксплуатации электроинструментов может привести к серьезной травме.*

- b) **Используйте защитное снаряжение. Всегда надевайте средство защиты глаз.**

*Защитное снаряжение, например, противопылевой респиратор, защитная обувь с нескользкой подошвой, защитный шлем-каска или средства защиты органов слуха, используемые для соответствующих условий, уменьшат травмы.*

- c) **Избегайте непреднамеренного включения двигателя. Убедитесь в том, что выключатель находится в положении выключения перед подсоединением к сетевой розетке.**

*Переноска электроинструментов, когда Вы держите палец на выключателе, или подсоединение электроинструментов к сетевой розетке, когда выключатель будет находиться в положении включения, приводит к несчастным случаям.*

- d) **Снимите все регулировочные или гаечные ключи перед включением электроинструмента.**

*Гаечный или регулировочный ключ, оставленный прикрепленным к вращающейся детали электроинструмента может привести к получению личной травмы.*

- e) **Не теряйте устойчивость. Все время имейте надежную точку опоры и сохраняйте равновесие.**

*Это поможет лучше управлять электроинструментом в непредвиденных ситуациях.*

- f) **Одевайтесь надлежащим образом. Не надевайте просторную одежду или ювелирные изделия. Держите волосы, одежду и перчатки как можно дальше от движущихся частей.**

*Просторная одежда, ювелирные изделия или длинные волосы могут попасть в движущиеся части.*

- г) Если предусмотрены устройства для присоединения приспособлений для отвода и сбора пыли, убедитесь в том, что они присоединены и используются надлежащим образом.  
*Использование данных устройств может уменьшить опасности, связанные с пылью.*
- 4) **Эксплуатация и обслуживание электроинструментов**
- а) Не перегружайте электроинструмент. Используйте надлежащий для Вашего применения электроинструмент.  
*Надлежащий электроинструмент будет выполнять работу лучше и надежнее в том режиме работы, на который он рассчитан.*
- б) Не используйте электроинструмент с неисправным выключателем, если с его помощью нельзя будет включить и выключить электроинструмент.  
*Каждый электроинструмент, которым нельзя управлять с помощью выключателя, будет представлять опасность и его будет необходимо отремонтировать.*
- в) Отсоедините штепсельную вилку от источника питания перед началом выполнения какой-либо из регулировок, перед сменой принадлежностей или хранением электроинструментов.  
*Такие профилактические меры безопасности уменьшат опасность непреднамеренного включения двигателя электроинструмента.*
- г) Храните неиспользуемые электроинструменты в недоступном для детей месте, и не разрешайте людям, не знающим как обращаться с электроинструментом или не изучившим данное руководство, работать с электроинструментом.  
*Электроинструменты представляют опасность в руках неподготовленных пользователей.*
- е) Содержите электроинструменты в исправности. Проверьте, нет ли несоосности или заедания движущихся частей, повреждение деталей или какого-либо другого обстоятельства, которое может повлиять на функционирование электроинструментов.  
*При наличии повреждения, отремонтируйте электроинструмент перед его эксплуатацией. Большое количество несчастных случаев связано с плохим обслуживанием электроинструментов.*
- ф) Содержите режущие инструменты остро заточенными и чистыми.  
*Содержащиеся в исправности надлежащим образом режущие инструменты с острыми режущими кромками будут меньше заедать, и будет легче в управлении.*
- г) Используйте электроинструмент, принадлежности, насадки и т.п., в соответствии с данным руководством и определенным типом электроинструмента для выполнения работы по его прямому назначению, принимая во внимание условия и объем выполняемой работы.  
*Использование электроинструмента для выполнения работ не по прямому назначению может привести к опасной ситуации.*
- 5) **Обслуживание**
- а) Обслуживание Вашего электроинструмента должно выполняться квалифицированным представителем ремонтной службы с использованием только идентичных запасных частей.  
*Это обеспечит сохранность и безопасность электроинструмента.*

**МЕРА ПРЕДОСТОРОЖНОСТИ**

Держите подальше от детей и слабых людей. Если инструменты не используются, их следует хранить в недоступном для детей и слабых людей месте.

**ТЕХНИЧЕСКИЕ ХАРАКТЕРИСТИКИ**

Модель	FCJ65V3	FCJ65S3
Напряжение (по регионам)*	(110В, 115В, 120 В, 127 В, 220 В, 230 В, 240 В) ~	
Потребляемая мощность*	400 Вт*	
Макс. глубина резания	Дерево: 65 мм Низкоуглеродистая сталь: 6 мм	
Число оборотов холостого хода	0 – 3000 мин <sup>-1</sup>	3000 мин <sup>-1</sup>
Длина хода	18 мм	
Мин. радиус резания	25 мм	
Вес (без шнура)	1,5 кг	

\* Проверьте паспортную табличку на изделии, так как она меняется в зависимости от региона

**СТАНДАРТНЫЕ АКСЕССУАРЫ**

- (1) Полотно № 31 ..... 1  
Для резания плотного пиломатериала
- (2) Защитное приспособление ..... 1
- (3) Крышка стружкосборника ..... 1

(4) Гаечный ключ в виде шестигранного стержня.... 1  
Набор стандартных аксессуаров может быть без предупреждения изменён.



## ДОПОЛНИТЕЛЬНЫЕ АКСЕССУАРЫ (продаются отдельно)

- (1) Полотна, № 1 – № 6, № 31\*  
\* Полотно №31 является стандартной принадлежностью
- (2) Направляющая  
Набор дополнительных аксессуаров может быть без предупреждения изменён.

## ОБЛАСТЬ ПРИМЕНЕНИЯ

- Резание различных пиломатериалов и выпиливание прорезей
- Резание листовой низкоуглеродистой стали, листового алюминия и листовой меди
- Резание синтетических пластмасс, таких как фенольные пластмассы и винилхлорид
- Резание тонких и мягких конструкционных материалов

## ПОДГОТОВКА К ЭКСПЛУАТАЦИИ

1. **Источник электропитания**  
Проследите за тем, чтобы используемый источник электропитания соответствовал требованиям к источнику электропитания, указанным на типовой табличке изделия.
2. **Переключатель "Вкл./ Выкл."**  
Убедитесь в том, что переключатель находится в положении "Выкл.". Если вы вставляете штепсель в розетку, а переключатель находится в положении "Вкл.", инструмент немедленно заработает, что может стать причиной серьёзной травмы.
3. **Удлинитель**  
Когда рабочая площадка удалена от источника электропитания, пользуйтесь удлинителем. Удлинитель должен иметь требуемую площадь поперечного сечения и обеспечивать работу инструмента заданной мощности. Разматывайте удлинитель только на реально необходимую для данного конкретного применения длину.

## УСТАНОВКА ПОЛОТНА

1. Используйте входящий в комплект гаечный ключ в виде шестигранного стержня для ослабления установочных винтов полотна на держатель полотна, как показано на **Рис. 1(a)**.
2. Удерживая полотно режущим краем вперед, вставьте установочную часть полотна в канавку плунжера таким образом, чтобы оно коснулось дна канавки.
3. Как показано на **Рис. 1(b)**, крепко затяните боковой винт.

### ОСТОРОЖНО

- Ослабленные установочные винты могут привести к повреждению полотна. Всегда убедитесь в том, что установочные винты надежно затянуты. Всегда убедитесь в том, что канавка плунжера чистая и свободная от опилок, чтобы обеспечить правильную установку полотна и затяжку установочного винта.
- 4. Хранение гаечного ключа в виде шестигранного стержня.

- (1) Вставьте в отверстие сбоку на корпусе главного устройства, удерживая короткую сторону горизонтально, как показано на **Рис. 2**.
- (2) Поверните со вставленным гаечным ключом в виде шестигранного стержня и зафиксируйте, как показано на **Рис. 2**.

## РЕГУЛИРОВКА НАПРАВЛЯЮЩЕГО РОЛИКА

Направляющий ролик, показанный на **Рис. 3**, служит для предотвращения резких рывков полотна. Перед использованием отрегулируйте направляющий ролик в соответствии со следующими процедурами:

- (1) Ослабьте установочный винт держателя при помощи входящего в комплект гаечного ключа в виде шестигранного стержня.
  - (2) Осторожно переместите направляющий ролик так, чтобы канавка ролика слегка касалась заднего края полотна.
- ПРИМЕЧАНИЕ**  
При отправке с завода, между роликом и полотном есть промежуток приблизительно в 3 мм.
- (3) Крепко затяните установочный винт держателя.

### ОСТОРОЖНО

- Направляющий ролик можно использовать только с полотнами, которые имеют сзади прямую линию длиной более 50 мм. (**Рис. 4A** и **4B**) При использовании других типов полотен (**Рис. 4C**), переместите направляющий ролик назад таким образом, чтобы он не касался полотна.
- При резании толстых досок или выполнении продолжительных операций резания, используйте полотно, показанное на **Рис. 4A, 4B** и убедитесь, что направляющий ролик установлен.

## УСТАНОВКА КРЫШКИ СТРУЖКОСБОРНИКА

1. **Крышка стружкосборника**  
Используйте крышку стружкосборника для уменьшения вылета стружек и для облегчения управления лобзиком. Сдвиньте крышку стружкосборника, слегка нажимая на ее переднюю часть. Крышка стружкосборника может быть установлена в трех положениях, как показано на **Рис. 5**.
2. **Выбор положения крышки стружкосборника**  
Установите крышку стружкосборника в первое положение при установке или снятии полотна. Установите крышку стружкосборника во второе положение при резании деревянных материалов. Установите крышку стружкосборника во второе или третье положение при резании таких металлических материалов, как сталь.

### ОСТОРОЖНО

- Во время работы с инструментом всегда держите крышку стружкосборника в нижнем положении.
- Даже при использовании крышки стружкосборника всегда одевайте защитные очки.

## РЕГУЛИРОВКА СКОРОСТИ ДВИЖЕНИЯ ПОЛОТНА ..... (ТОЛЬКО МОДЕЛЬ FCJ65V3)

### ПРИМЕЧАНИЕ

Скорость движения полотна не может быть отрегулирована в модели FCJ65S3.

Скорость движения полотна может быть отрегулирована в пределах от 0 до 3 000 мин<sup>-1</sup> соответствию с силой, с которой нажимается пусковой выключатель. Выберите скорость в соответствии с обрабатываемым материалом и/или условиями работы.

Чтобы добиться продолжительной работы, полностью отпустите назад пусковой выключатель и нажмите стопор. Затем, поверните ручку регулировки скорости, чтобы отрегулировать желаемую скорость движения полотна.

### ПРИМЕЧАНИЕ

Ручка регулировки скорости поворачивается приблизительно на 1,5 оборота. Чтобы переключить выключатель в положение ВЫКЛ, снова нажмите пусковой выключатель для отключения стопора, и отпустите пусковой выключатель.

## РЕЗАНИЕ

### ОСТОРОЖНО

- Во время распилки основание должно находиться в плотном контакте с поверхностью материала и полотно необходимо держать под правильным углом. Если основание будет отделено от материала, это может привести к поломке полотна.
- При резании, удерживая переднюю поверхность, будьте осторожны с движущимся полотном и крепко держите верхнюю часть.

#### 1. Прямолинейное резание

- (1) Для обеспечения прямолинейного резания используйте дополнительную принадлежность - направляющую, показанную на **Рис. 6**.
- (2) Используйте защитное приспособление для уменьшения раскалывания поверхностей резания деревянных материалов. Установите защитное приспособление, вставив его в переднюю часть основания таким образом, чтобы оно защелкнулось на месте. (**Рис. 7**)

### ОСТОРОЖНО

Установите основание в переднее положение при использовании защитного приспособления.

- 2. **Резание по окружности или по дуге окружности**  
Для обеспечения эффективного резания используйте дополнительную принадлежность - направляющую и гвоздь или шуруп, как показано на **Рис. 8**.  
При установке направляющей ослабьте винт в нижней части основания и переместите основание как можно дальше вперед.
- 3. **Выпиливание по кривым линиям**  
При выпиливании по малой дуге окружности, уменьшите скорость подачи двигателя. Если перемещать машину слишком быстро, может случиться поломка полотна.
- 4. **Резание металлических материалов**  
Всегда используйте соответствующую смазочную жидкость для резания (веретенное масло, мыльную воду и т.п.). Если использование смазочной жидкости невозможно, нанесите смазку на заднюю поверхность разрезаемого материала.

#### 5. Выпиливание прорезей

- (1) В пиломатериалах  
Ориентируйте направление полотна по направлению волокон дерева, выполняйте выпиливание шаг за шагом до тех пор, пока сквозное отверстие не будет выпилено в центре пиломатериала. (**Рис. 9**)
- (2) В других материалах  
При выпиливании сквозного отверстия в материалах, отличных от пиломатериалов, прежде всего, просверлите отверстие при помощи дрели или аналогичного инструмента, от которого будете начинать выпиливание.

#### 6. Выпиливание косого прореза

- Установите крышку стружкосборника в первое положение. (**Рис. 5**)  
Для регулировки угла наклона ослабьте винт в нижней части основания, переместите положение основания к полукруглой части боковой канавки, поравняйте шкалу на полукруглой части основания (цифры, проставленные на шкале, обозначают угол наклона) с границей кромки корпуса и полностью затяните винт в нижней части основания. (**Рис. 10 и 11**)

### ОСТОРОЖНО

При использовании направляющей установите винт на противоположной стороне стороны наклона. (**Рис. 12**)

#### 7. Пыль, образующаяся во время работы

### ОСТОРОЖНО

- Для предотвращения несчастных случаев, если инструмент не используется выключите выключатель и выньте вилку из розетки.
- Для получения информации по использованию пылеуловителя и образующихся во время резания обрезках, пожалуйста, прочтите инструкцию по эксплуатации пылеуловителя.

*Пыль, образующаяся во время обычной работы, может повлиять на здоровье оператора. Рекомендуется один из следующих способов.*

- a) **Использование маски против пыли**
- b) **Использование внешнего оборудования для сбора пыли**

При использовании внешнего оборудования для сбора пыли, соедините резиновый переходник (приспособление оборудования для сбора пыли) с концом рукава от внешнего оборудования для сбора пыли.

Затем соедините другой конец резинового адаптера с крепежной деталью рукава, расположенной с задней стороны лобзика. (См. **Рис. 13**)

## ВЫБОР ПОЛОТЕН

### 1. Дополнительные полотна

В целях обеспечения максимальной эффективности при эксплуатации и получения наилучших результатов, очень важно выбрать подходящее полотно, которое больше всего соответствует типу и толщине материала, резание которого будет выполняться. Один из типов полотна поставляется в качестве стандартной принадлежности. Номер полотна выгравирован около установочной части каждого полотна. Для выбора соответствующих полотен обратитесь к **Таблице 1**.

### 2. Применимые полотна, имеющиеся в продаже (Рис. 14)

Данное приспособление разработано таким образом, чтобы иметь возможность установки большинства полотен, доступных на рынке. Как показано на **Рис. 14**, ограничения размеров таковы:

- Толщина : L2 ..... Менее 1,6 мм
- Ширина : L3 ..... 6,3мм  
L4 ..... 8мм  
L5 ..... 7мм

#### ПРИМЕЧАНИЕ

При резании плотных материалов используйте оригинальные полотна фирмы Hitachi, имеющие наклон, как показано на **Рис. 4-А** или **В**.

**Таблица 1** Перечень соответствующих полотен

Материал для резания	Качество материала	Полотно №
Пиломатериалы	Обычные пиломатериалы	№ 1 или № 31 (толстый лист) или № 41 (толстый лист) или № 2 (тонкий лист)
	Фанера	№ 3 или № 6
Листовая сталь	Листовая низкоуглеродистая сталь	№ 6
Цветные металлы	Алюминий, медь, латунь	№ 6
Синтетические смолы	Фенольные смолы, меламин и т.п.	№ 4 (толстый лист) или № 6 (тонкий лист)
	Винилхлорид, акриловые смолы и т.п.	№ 2 или № 4 (толстый лист) или № 6 (тонкий лист)
	Пористый стирол и т.п.	№ 2
Целлюлоза	Тонкий картон, гофрированная бумага	№ 2
	Твердый картон	№ 5 или № 6
	Фибровый картон	№ 6
Другие материалы	Плотная резина	№ 2
	Шифер	№ 5

## ТЕХНИЧЕСКОЕ ОБСЛУЖИВАНИЕ И ПРОВЕРКА

### 1. Осмотр полотна

Длительное использование тупого или поврежденного полотна может привести к снижению эффективности резания и стать причиной перегрузки двигателя. Замените полотно новым полотном, как только заметите признаки чрезмерного абразивного износа.

### 2. Проверка установленных винтов:

Регулярно проверяйте все установленные на инструменте винты, следите за тем, чтобы они были как следует затянуты. Немедленно затяните винт, который окажется ослабленным. Невыполнение этого правила грозит серьёзной опасностью.

### 3. Техническое обслуживание двигателя

Обмотка двигателя - "сердце" электроинструмента. Проявляйте должное внимание, следя за тем, чтобы обмотка не была повреждена и/или залита маслом или водой.

### 4. Замена сетевого шнура

В случае если будет поврежден сетевой шнур данного электроинструмента, электроинструмент необходимо вернуть в авторизованный сервисный центр Hitachi для замены шнура.

### 5. Текущий ремонт

Обратитесь к авторизованному представителю по ремонту и обслуживанию в случае неисправности электроинструмента.

### 6. Порядок записей по техобслуживанию ПРЕДОСТЕРЕЖЕНИЕ

Ремонт, модификация и проверка электроинструментов HITACHI должна проводиться только в авторизованных сервисных центрах HITACHI. Данный список принесите в мастерскую вместе с инструментом для проведения ремонта или технического обслуживания.

При использовании или техобслуживании инструмента всегда следите за выполнением всех правил и норм безопасности.

#### ЗАМЕЧАНИЕ

Фирма HITACHI непрерывно работает над усовершенствованием своих изделий, поэтому мы сохраняем за собой право на внесение изменений в технические характеристики, упомянутые в данной инструкции по эксплуатации, без предупреждения об этом.

#### ПРИМЕЧАНИЕ

На основании постоянных программ исследования и развития, HITACHI оставляют за собой право на изменение указанных здесь технических данных без предварительного уведомления.

---

---

**Информация, касающаяся создаваемого шума и вибрации**

Измеряемые величины были определены в соответствии с EN60745 и заявлены в соответствии с ISO 4871.

[FCJ65V3]

Измеренный средневзвешенный уровень звуковой мощности: 96 дБ(А)

Измеренный средневзвешенный уровень звукового давления: 85 дБ(А)

Погрешность Кра: 3 дБ (А)

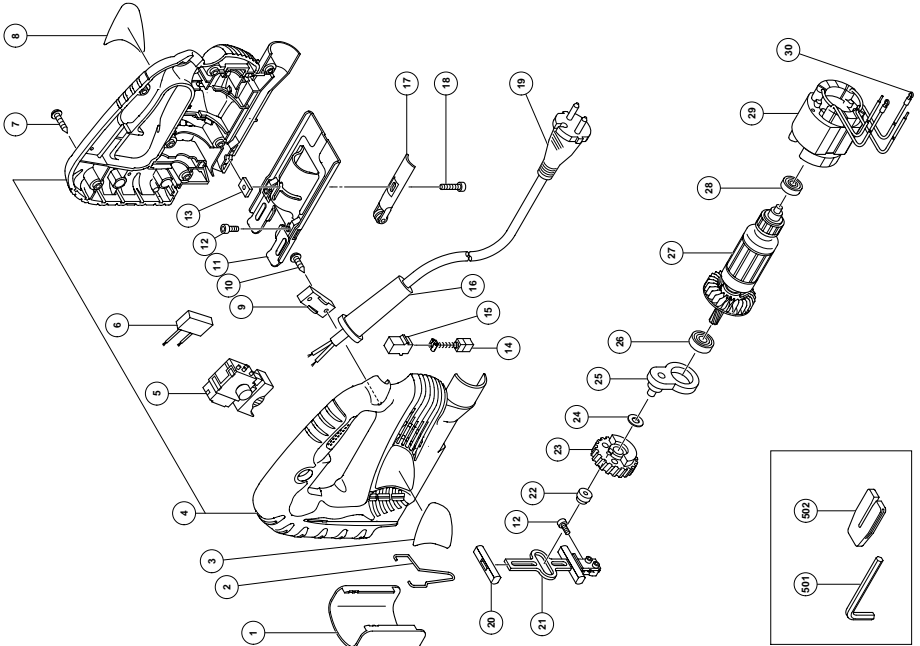
Надевайте наушники.

Типичное значение вибрации: 7,6 м/с<sup>2</sup>

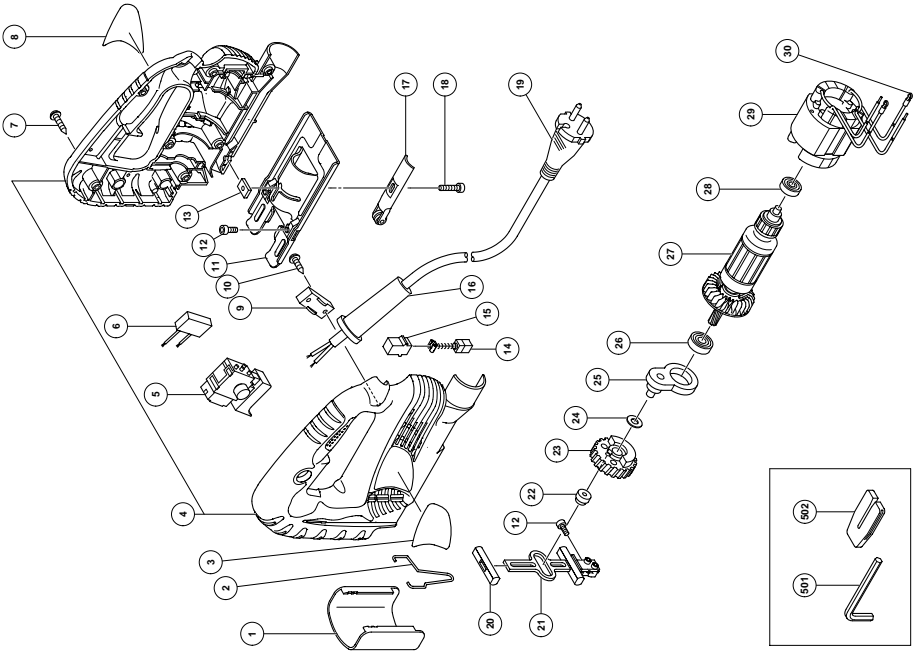
---

---

Item No.	Part Name
1	CHIP COVER
2	GUARD BAR
3	HITACHI LABEL
4	HOUSING (A), (B) SET
5	SWITCH
6	NOISE SUPPRESSOR
7	TAPPING SCREW (W/FLANGE) D4x20
8	NAME PLATE
9	CORD CLIP
10	TAPPING SCREW (W/FLANGE) D4x16
11	BASE
12	HEX. SOCKET HD. BOLT M4x8
13	PLATE NUT
14	CARBON BRUSH
15	BRUSH HOLDER
16	CORD ARMOR
17	ROLLER HOLDER
18	HEX. SOCKET HD. BOLT M4x16
19	CORD
20	PLUNGER HOLDER
21	PLUNGER
22	CONNECTING PIECE
23	GEAR
24	WASHER
25	HOLDER
26	BALL BEARING 608VVMC2EPS2L
27	ARMATURE
28	BALL BEARING 626VVMC2ERPS2S
29	STATOR
30	TERMINAL
501	HEX. BAR WRENCH 3MM
502	SPLINTER GUARD



Item No.	Part Name
1	CHIP COVER
2	GUARD BAR
3	HITACHI LABEL
4	HOUSING (A), (B) SET
5	SWITCH
6	NOISE SUPPRESSOR
7	TAPPING SCREW (W/FLANGE) D4x20
8	NAME PLATE
9	CORD CLIP
10	TAPPING SCREW (W/FLANGE) D4x16
11	BASE
12	HEX. SOCKET HD. BOLT M4x8
13	PLATE NUT
14	CARBON BRUSH
15	BRUSH HOLDER
16	CORD ARMOR
17	ROLLER HOLDER
18	HEX. SOCKET HD. BOLT M4x16
19	CORD
20	PLUNGER HOLDER
21	PLUNGER
22	CONNECTING PIECE
23	GEAR
24	WASHER
25	HOLDER
26	BALL BEARING 608VVMC2EPS2L
27	ARMATURE
28	BALL BEARING 626VVMC2ERP52S
29	STATOR
30	TERMINAL
501	HEX. BAR WRENCH 3MM
502	SPLINTER GUARD



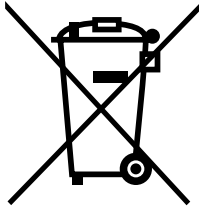
<p>English</p> <p><b><u>GUARANTEE CERTIFICATE</u></b></p> <ol style="list-style-type: none"> <li>① Model No.</li> <li>② Serial No.</li> <li>③ Date of Purchase</li> <li>④ Customer Name and Address</li> <li>⑤ Dealer Name and Address (Please stamp dealer name and address)</li> </ol>	<p>Magyar</p> <p><b><u>GARANCIA BIZONYLAT</u></b></p> <ol style="list-style-type: none"> <li>① Típuszám</li> <li>② Sorozatszám</li> <li>③ A vásárlás dátuma</li> <li>④ A Vásárló neve és címe</li> <li>⑤ A Kereskedő neve és címe (Kérjük ide elhelyezni a Kereskedő nevének és címének pecsétjét)</li> </ol>
<p>Deutsch</p> <p><b><u>GARANTIESCHEIN</u></b></p> <ol style="list-style-type: none"> <li>① Modell-Nr.</li> <li>② Serien-Nr.</li> <li>③ Kaufdaturn</li> <li>④ Name und Anschrift des Kunden</li> <li>⑤ Name und Anschrift des Händlers (Bitte mit Namen und Anschrift des Handlers abstempeln)</li> </ol>	<p>Čeština</p> <p><b><u>ZÁRUČNÍ LIST</u></b></p> <ol style="list-style-type: none"> <li>① Model č.</li> <li>② Série č.</li> <li>③ Datum nákupu</li> <li>④ Jméno a adresa zákazníka</li> <li>⑤ Jméno a adresa prodejce (Prosíme o razítko se jménem a adresou prodejce)</li> </ol>
<p>Ελληνικά</p> <p><b><u>ΠΙΣΤΟΠΟΙΗΤΙΚΟ ΕΓΓΥΗΣΗΣ</u></b></p> <ol style="list-style-type: none"> <li>① Αρ. Μοντέλου</li> <li>② Αύξων Αρ.</li> <li>③ Ημερομηνία αγοράς</li> <li>④ Όνομα και διεύθυνση πελάτη</li> <li>⑤ Όνομα και διεύθυνση μεταπωλητή (Παρακαλούμε να χρησιμοποιηθεί σφραγίδα)</li> </ol>	<p>Türkçe</p> <p><b><u>GARANTİ SERTİFİKASI</u></b></p> <ol style="list-style-type: none"> <li>① Model No.</li> <li>② Seri No.</li> <li>③ Satın Alma Tarihi</li> <li>④ Müşteri Adı ve Adresi</li> <li>⑤ Bayi Adı ve Adresi (Lütfen bayi adını ve adresini kaşe olarak basın)</li> </ol>
<p>Polski</p> <p><b><u>GWARANCJA</u></b></p> <ol style="list-style-type: none"> <li>① Model</li> <li>② Numer seryjny</li> <li>③ Data zakupu</li> <li>④ Nazwa klienta i adres</li> <li>⑤ Nazwa dealera i adres (Pieczęć punktu sprzedaży)</li> </ol>	<p>Русский</p> <p><b><u>ГАРАНТИЙНЫЙ СЕРТИФИКАТ</u></b></p> <ol style="list-style-type: none"> <li>① Модель №</li> <li>② Серийный №</li> <li>③ Дата покупки</li> <li>④ Название и адрес заказчика</li> <li>⑤ Название и адрес дилера (Пожалуйста, внесите название и адрес дилера)</li> </ol>

# HITACHI

①	
②	
③	
④	
⑤	







#### English

Only for EU countries

Do not dispose of electric tools together with household waste material!

In observance of European Directive 2002/96/EC on waste electrical and electronic equipment and its implementation in accordance with national law, electric tools that have reached the end of their life must be collected separately and returned to an environmentally compatible recycling facility.

#### Deutsch

Nur für EU-Länder

Werfen Sie Elektrowerkzeuge nicht in den Hausmüll!

Gemäss Europäischer Richtlinie 2002/96/EG über Elektro- und Elektronik- Altgeräte und Umsetzung in nationales Recht müssen verbrauchte Elektrowerkzeuge getrennt gesammelt und einer umweltgerechten Wiederverwertung zugeführt werden.

#### Ελληνικά

Μόνο για τις χώρες της ΕΕ

Μην πετάτε τα ηλεκτρικά εργαλεία στον κάδο οικιακών απορριμμάτων!

Σύμφωνα με την ευρωπαϊκή οδηγία 2002/96/EK περί ηλεκτρικών και ηλεκτρονικών συσκευών και την ενσωμάτωσή της στο εθνικό δίκαιο, τα ηλεκτρικά εργαλεία πρέπει να συλλέγονται ξεχωριστά και να επιστρέφονται για ανακύκλωση με τρόπο φιλικό προς το περιβάλλον.

#### Polski

Dotyczy tylko państw UE

Nie wyrzucaj elektronarzędzi wraz z odpadami z gospodarstwa domowego!

Zgodnie z Europejską Dyrektywą 2002/96/WE w sprawie zużytego sprzętu elektrotechnicznego i elektronicznego oraz dostosowaniem jej do prawa krajowego, zużyte elektronarzędzia należy posegregować i zutylizować w sposób przyjazny dla środowiska.

#### Magyar

Csak EU-országok számára

Az elektromos kéziszerszámokat ne dobja a háztartási szemétkébe!

A használt villamos és elektronikai készülékekről szóló 2002/96/EK irányelv és annak a nemzeti jogba való átültetése szerint az elhasznált elektromos kéziszerszámokat külön kell gyűjteni, és környezetbarát módon újra kell hasznosítani.

#### Čeština

Jen pro státy EU

Elektrické nářadí nevyhazujte do komunálního odpadu!

Podle evropské směrnice 2002/96/EG o nakládání s použitými elektrickými a elektronickými zařízeními a odpovídajících ustanovení právních předpisů jednotlivých zemí se použitá elektrická nářadí musí sbírat odděleně od ostatního odpadu a podrobit ekologicky šetrnému recyklování.

#### Türkçe

Sadece AB ülkeleri için


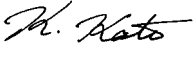
Elektrikli el aletlerini evdeki çöp kutusuna atmayınız! Kullanılmış elektrikli aletleri, elektrik ve elektronikleri eski cihazlar hakkındaki 2002/96/EC Avrupa yönergelerine göre ve bu yönergeler ulusal hukuk kurallarına göre uygulanarak, ayrı olarak toplanmalı ve çevre şartlarına uygun bir şekilde tekrar değerlendirilmeye gönderilmelidir.

#### Русский

Только для стран ЕС

Не выкидывайте электроприборы вместе с обычным мусором!

В соответствии с европейской директивой 2002/96/EG об утилизации старых электрических и электронных приборов и в соответствии с местными законами электроприборы, бывшие в эксплуатации, должны утилизироваться отдельно безопасным для окружающей среды способом.

<p>English</p> <p><u>EC DECLARATION OF CONFORMITY</u></p> <p>We declare under our sole responsibility that this product is in conformity with standards or standardized documents EN60745, EN55014 and EN61000-3 in accordance with Council Directives 73/23/EEC, 89/336/EEC and 98/37/EC.</p> <p>This declaration is applicable to the product affixed CE marking.</p>	<p>Magyar</p> <p><u>EU MEGFELELŐSÉGI NYILATKOZAT</u></p> <p>Teljes felelősségünk tudatában kijelentjük, hogy ez a termék megfelel az EN60745, EN55014, és EN 61000-3 szabványoknak illetve szabványosított dokumentumoknak, az Európa Tanács 73/23/EEC, 89/336/EEC, és 98/37/EC Tanácsi Direktíváival összhangban.</p> <p>Jelen nyilatkozat a terméken feltüntetett CE jelzésre vonatkozik.</p>
<p>Deutsch</p> <p><u>ERKLÄRUNG ZUR KONFORMITÄT MIT CE-REGELN</u></p> <p>Wir erklären mit alleiniger Verantwortung, daß dieses Produkt den Standards oder standardisierten Dokumenten EN60745, EN55014 und EN61000-3 in Übereinstimmung mit den Direktiven des Europarats 73/23/EWG, 89/336/EWG und 98/37/CE entspricht.</p> <p>Diese Erklärung gilt für Produkte, die die CE-Markierung tragen.</p>	<p>Čeština</p> <p><u>PROHLÁŠENÍ O SHODĚ S CE</u></p> <p>Prohlašujeme na svoji zodpovědnost, že tento výrobek odpovídá normám EN60745, EN55014 a EN61000-3 v souladu se směrnicemi 73/23/EEC, 89/336/EEC a 98/37/EC.</p> <p>Toto prohlášení platí pro výrobek označený značkou CE.</p>
<p>Ελληνικά</p> <p><u>EK ΔΗΛ-ΣΗ ΕΝΑΡΜΟΝΙΣΜΟΥ</u></p> <p>Δηλώνουμε με απόλυτη υπευθυνότητα ότι αυτό το προϊόν είναι εναρμονισμένο με τα πρότυπα ή τα έγγραφα προτύπων EN60745, EN55014 και EN61000-3 σε συμφωνία με τις Οδηγίες του Συμβουλίου 73/23/ΕΟΚ, 89/336/ΕΟΚ και 98/37/ΕΚ.</p> <p>Αυτή η δήλωση ισχύει στο προϊόν με το σημάδι CE.</p>	<p>Türkçe</p> <p><u>AB UYGUNLUK BEYANI</u></p> <p>Bu ürünün, 73/23/EEC, 89/336/EEC ve 98/37/EC sayılı Konsey Direktiflerine uygun olarak, EN60745, EN55014 ve EN61000-3 sayılı standartlara ve standartlaştırılmış belgelere uygun olduğunu, tamamen kendi sorumluluğumuz altında beyan ederiz.</p> <p>Bu beyan, üzerinde CE işareti bulunan ürünler için geçerlidir.</p>
<p>Polski</p> <p><u>DEKLARACJA ZGODNOŚCI Z EC</u></p> <p>Oznajmiamy z całkowitą odpowiedzialnością, że produkt ten pozostaje w zgodzie ze standardami lub standardową formą dokumentów EN60745, EN55014 i EN61000-3 w zgodzie z Zasadami Rady 73/23/EEC 89/336/ EEC i 98/37/EC.</p> <p>To oświadczenie odnosi się do załączonego produktu z oznaczeniami CE.</p>	<p>Русский</p> <p><u>ДЕКЛАРАЦИЯ СООТВЕТСТВИЯ ЕС</u></p> <p>Мы с полной ответственностью заявляем, что данное изделие соответствует стандартам или стандартизованным документам EN60745, EN55014 и EN61000-3 согласно Директивам Совета 73/23/EEC, 89/336/EEC и 98/37/EC.</p> <p>Данная декларация относится к изделиям, на которых имеется маркировка CE.</p>
<p>Representative office in Europe  <b>Hitachi Power Tools Europe GmbH</b>  Siemensring 34, 47877 Willich 1, F. R. Germany</p> <p>Head office in Japan  <b>Hitachi Koki Co., Ltd.</b>  Shinagawa Intercity Tower A, 15-1, Konan 2-chome,  Minato-ku, Tokyo, Japan</p> <div style="text-align: right;">   29. 7. 2005    K. Kato  Board Director </div>	

 **Hitachi Koki Co., Ltd.**